

**Job Name: 25-1511 Halfhill Estates Ph.3**  
**Job Location: Nicholasville, KY**  
**Contractor: Perdue Environmental Contracting Co., Inc.**

PC: J. Jarvis  
 TECH: J. Horsley  
 Plant: Beaver Dam



Structure ID: DBI 2202  
 Spec: KYTC  
 Type: DBI TYPE 11  
 Size: 24" x 30"

Rim: 882.24'  
 Invert: 879.32'  
 Rim to Invert: 2.92'

Sump: 0"  
 Floor (Top): 879.32'  
 Floor Height: 8"

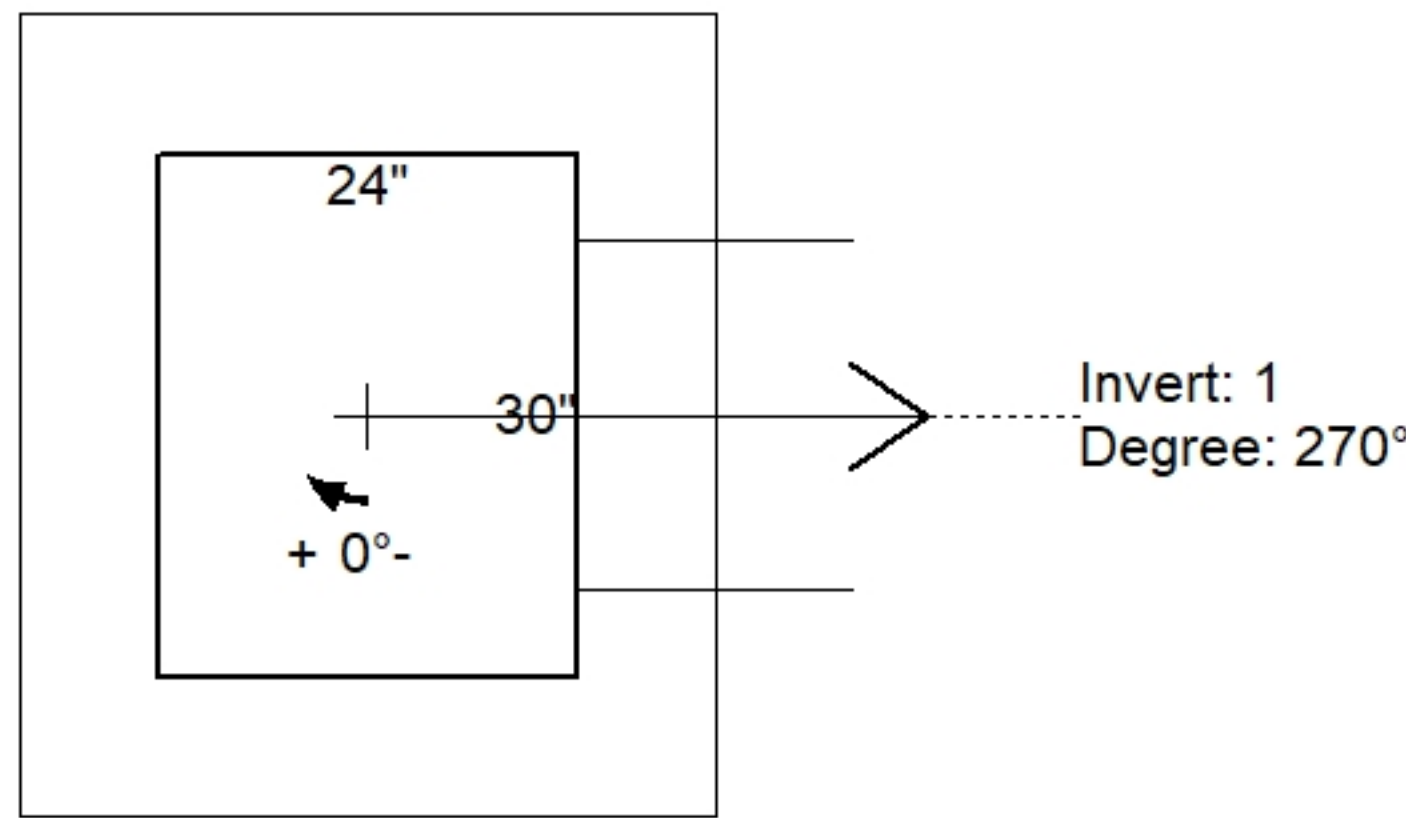
Floor (Bot): 878.653'  
 Overall Height: 3.563'  
 Slack: 0.29"

**Structure Notes:**

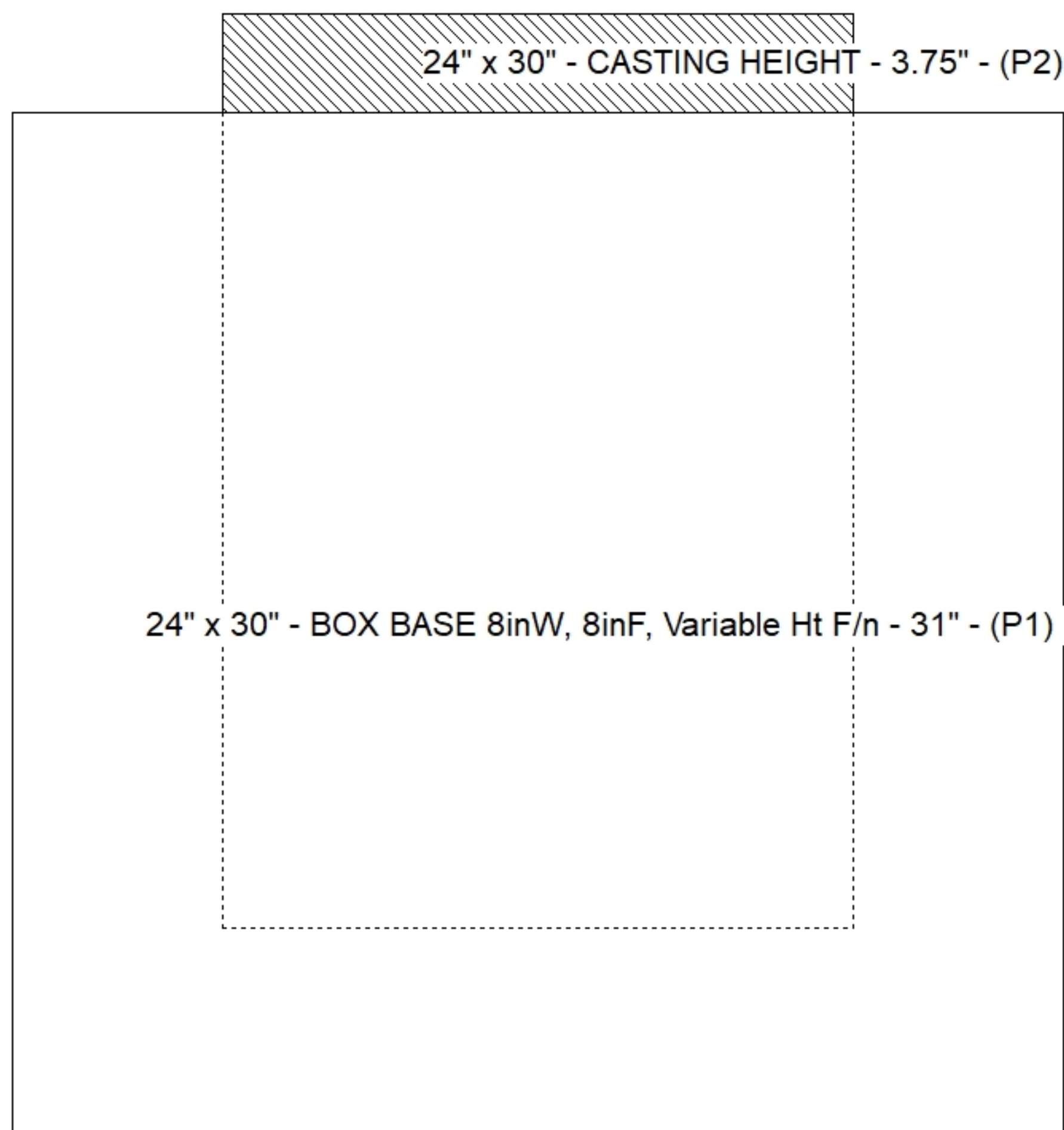
- \*\*KYTC STATE PROJECT\*\***
1. KYTC DBI TYPE 11 / ASTM C-913 SPEC'S.
  2. CONCRETE = 4,000 PSI AT 28 DAYS.
  3. NO INVERT CHANNEL.
  4. NO STEPS.
  5. CASTING BY ICAST (HOE 460-11 F/G)
- REINFORCING PER ASTM A615 (GRADE 60).  
 - WALLS (As .31) #5 BARS AT 12" C.C.E.W..  
 - FLOOR (As .31) #5 BARS AT 12" C.C.E.W.

**STRUCTURE SUMMARY:**

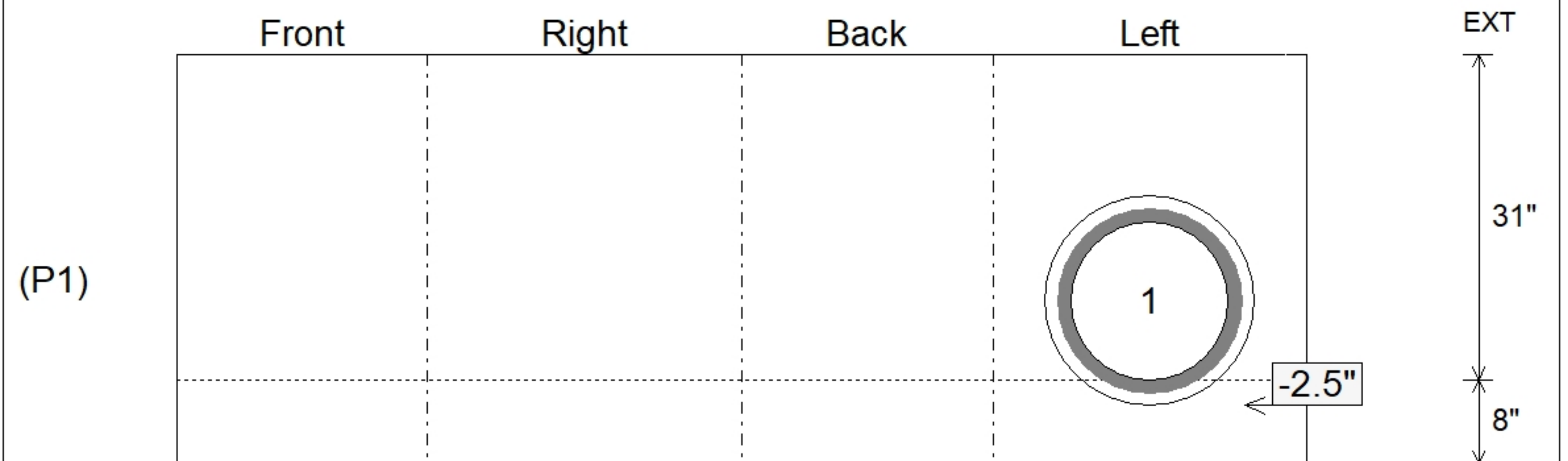
P2) 24" x 30" - CASTING HEIGHT - 3.75"	0 lb
P1) 24" x 30" - BOX BASE 8inW, 8inF, Variable Ht F/n - 31"	3938 lb
1) CASTING - HOE KY-206 F/C (KY TY1)	206 lb
1) 24" x 30" - SGL 1"x14.5' Butyl	0 lb
1) Hole - 20	0 lb
	-----
Structure Total:	4144 lb



Position	Elev	Angle	Pipe	Pipe OD	Hole	Connector	Up (L)	Ref
Rim	882.24'							
Reducer								
Invert 1	879.32'	270°	15" HDPE	17.6"	20"	Hole 20	-2.5"	P1
Invert 2								
Invert 3								
Invert 4								
Invert 5								
Invert 6								
Invert 7								
Invert 8								



**Cast (Int. Dim.) - Interior Dimensions**



Submittal Drawing  
 12/16/2025 4:34:51 PM

SUBMITTAL  
 APPROVED BY: