

Structure ID: CBI 2501

P1 BX2436-08BVF

BOX BASE 8inW, 8inF, Variable Ht T/n

P3) 24" x 120" - CB INLET KY A 10' TOP RIGHT F/G - 10" P2) 24" x 120" - CB INLET KY A 10' BOTTOM RIGHT T/G - 18" P1) 24" x 36" - BOX BASE 8inW, 8inF, Variable Ht T/n - 50" 1) CASTING - HOE KY-206 F/C (KY TY1) 1) 24" x 36" - Conseal CS-102 1.00" 2) Hole - 20	3398 lb 5270 lb 6055 lb 206 lb 0 lb 0 lb <hr style="width: 50px; margin-left: auto; margin-right: 0;"/> Structure Total: 14928 lb
--	---

Structure Notes:
 ** KYTC STATE PROJECT **
 1. PER KYTC CBI TYPE A / ASTM C913 SPEC'S.
 2. CONCRETE = 4,000 PI AT 28 DAYS.
 3. NO INVERT CHANNEL.

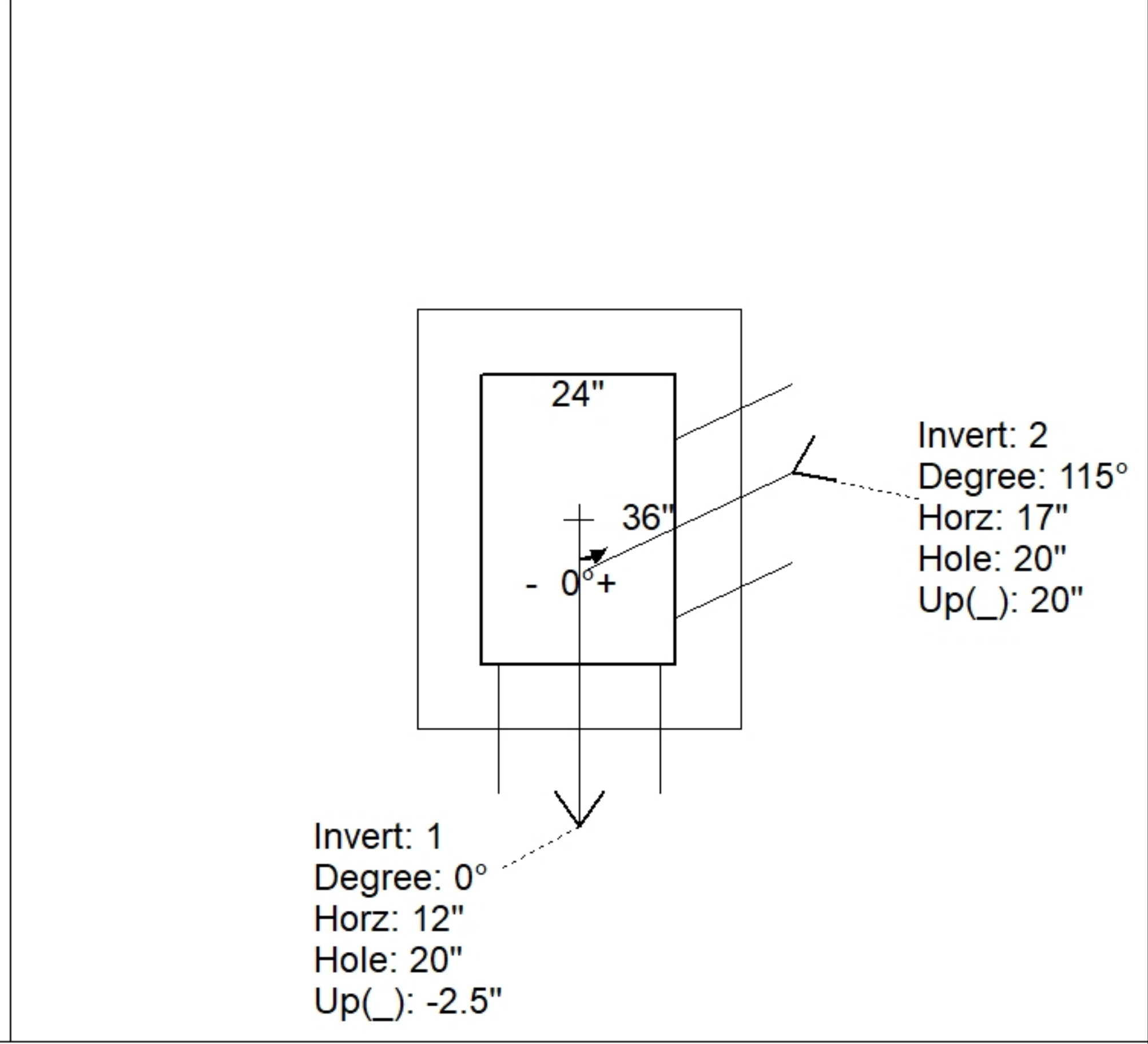
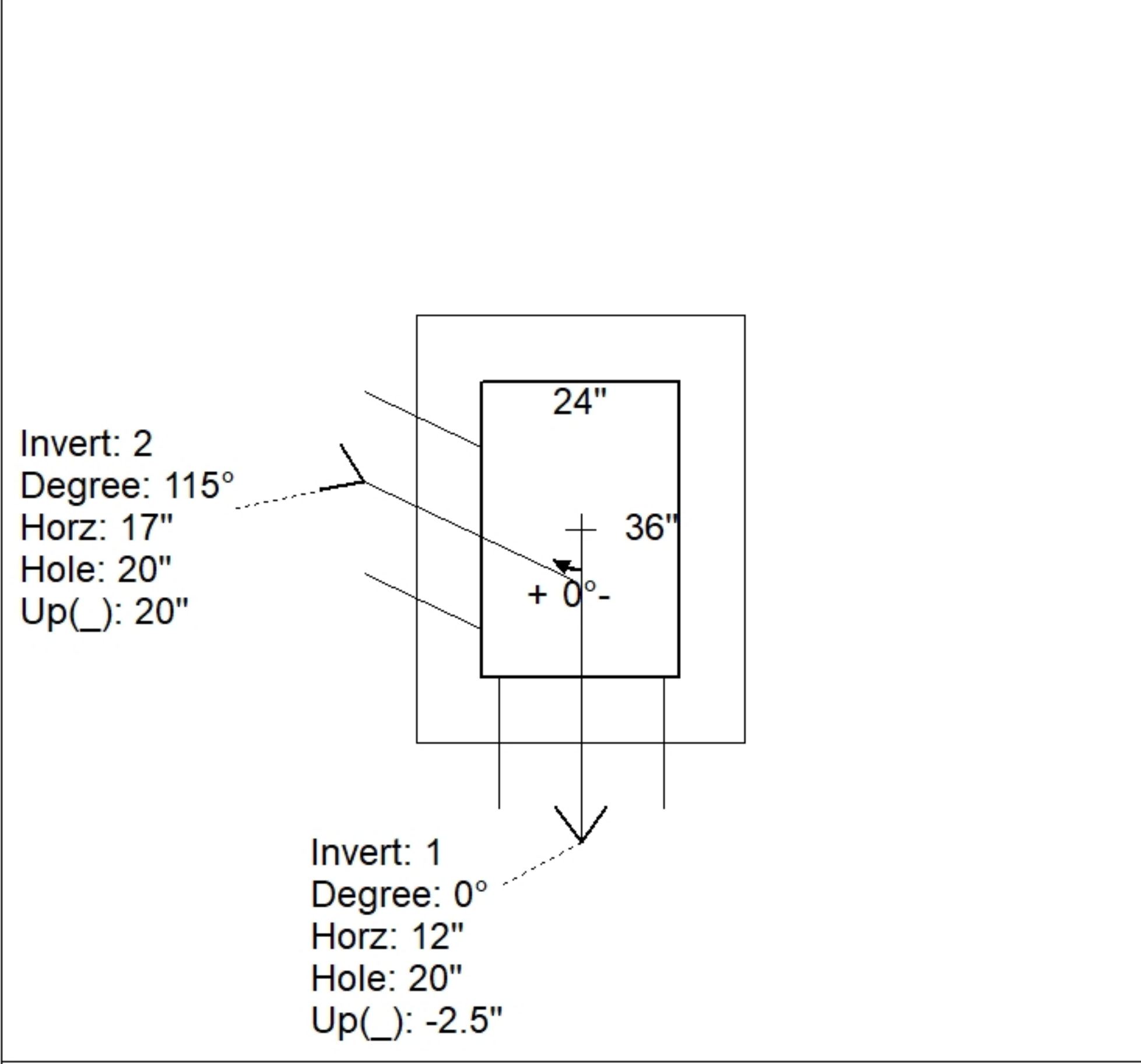
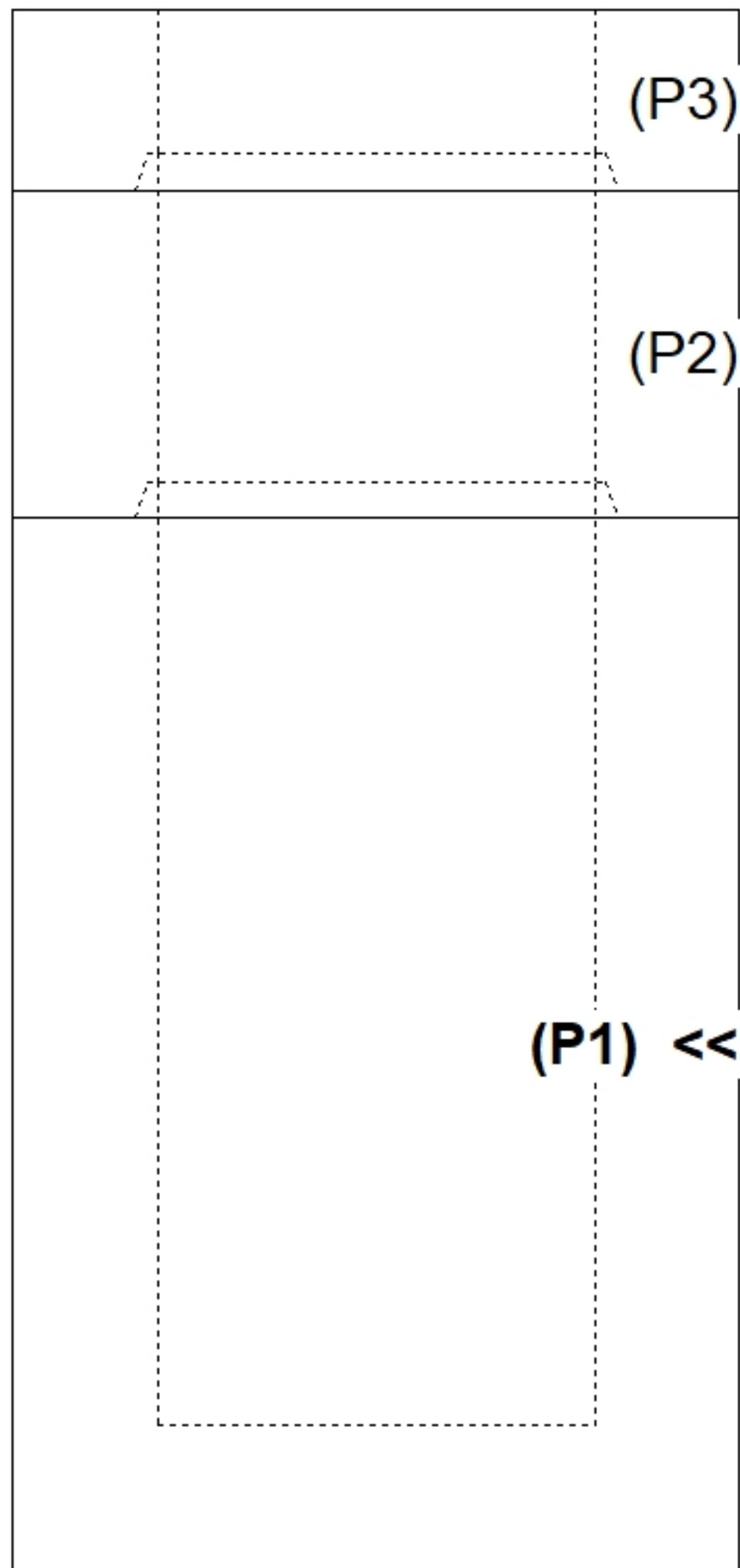
REINFORCING PER ASTM A615 (GRADE 60).
 - TOP PHASE (As .62) #5 BARS AT 6" C.C.E.W.
 - WALLS (As .31) #5 BARS AT 12" C.C.E.W.
 - FLOOR (As .31) #5 BARS AT 12" C.C.E.W.

Rim: 884.81' Rim to Invert: 6.5' Slack: 0" Sump: 0" Step Position:

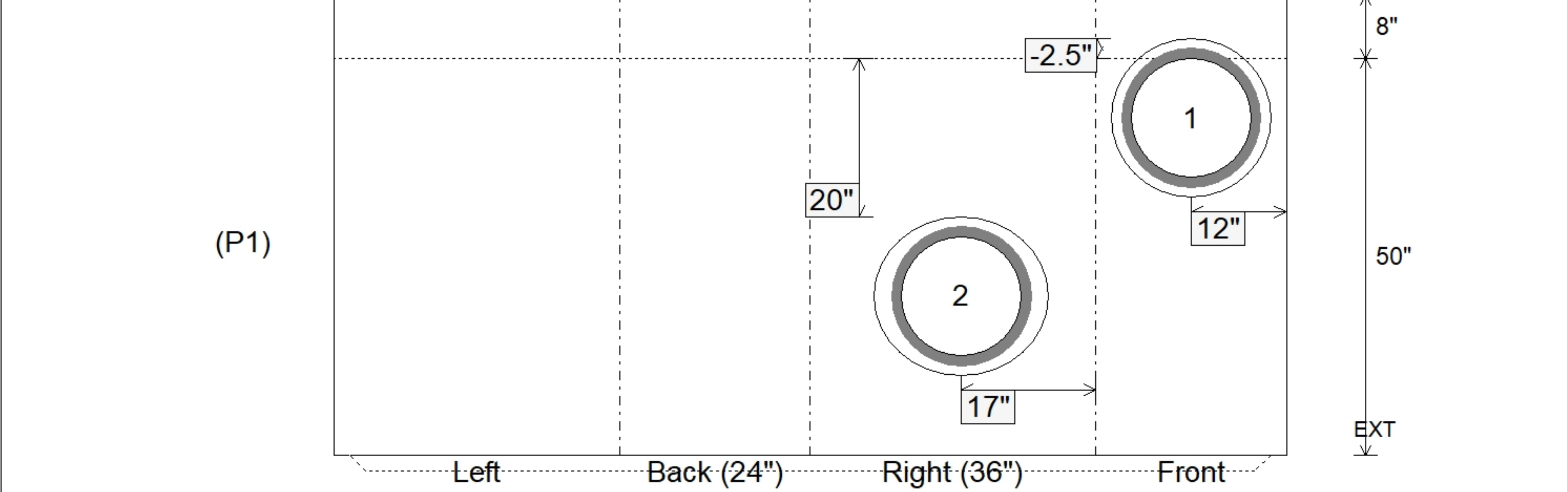
Position	Elev	Angle	Ext. (cw)	Pipe	Pipe OD	Connector	Hole	Horz Size	Up ()	Offset
Invert 1	878.31'	0°	20"	15" HDPE	17.6"	Hole 20	20"	20"	-2.5"	0"
Invert 2	880.18'	115°	28.75"	15" HDPE	17.6"	Hole 20	20"	22.068"	20"	-6"
Invert 3										
Invert 4										
Invert 5										
Invert 6										
Invert 7										
Invert 8										

RIGHT-SIDE UP VIEW (int. dimensions)

UPSIDE-DOWN VIEW (int. dimensions)



INSIDE WALL DIMENSIONS



Coating (Int): Coating (Ext):	Seam Up: Tongue Seam Dn: n/a	Wall Thickness: 8" Floor Height: 8"	Height (Int): 50" Height (Ext): 58"	Weight (Net): 6055 lb Volume (Net): 1.55cu.yd
----------------------------------	---------------------------------	--	--	--