

Job Name: 25-1511 Halfhill Estates Ph.3
Job Location: Nicholasville, KY
Contractor: Perdue Environmental Contracting Co., Inc.

PC: J. Jarvis
 TECH: J. Horsley
 Plant: Beaver Dam



Structure ID: **CBI 2201**
 Spec: KYTC
 Type: CBI TYPE A (10')
 Size: 24" x 36"

Rim: 884.62'
 Invert: 878.13'
 Rim to Invert: 6.49'

Sump: 0"
 Floor (Top): 878.13'
 Floor Height: 8"

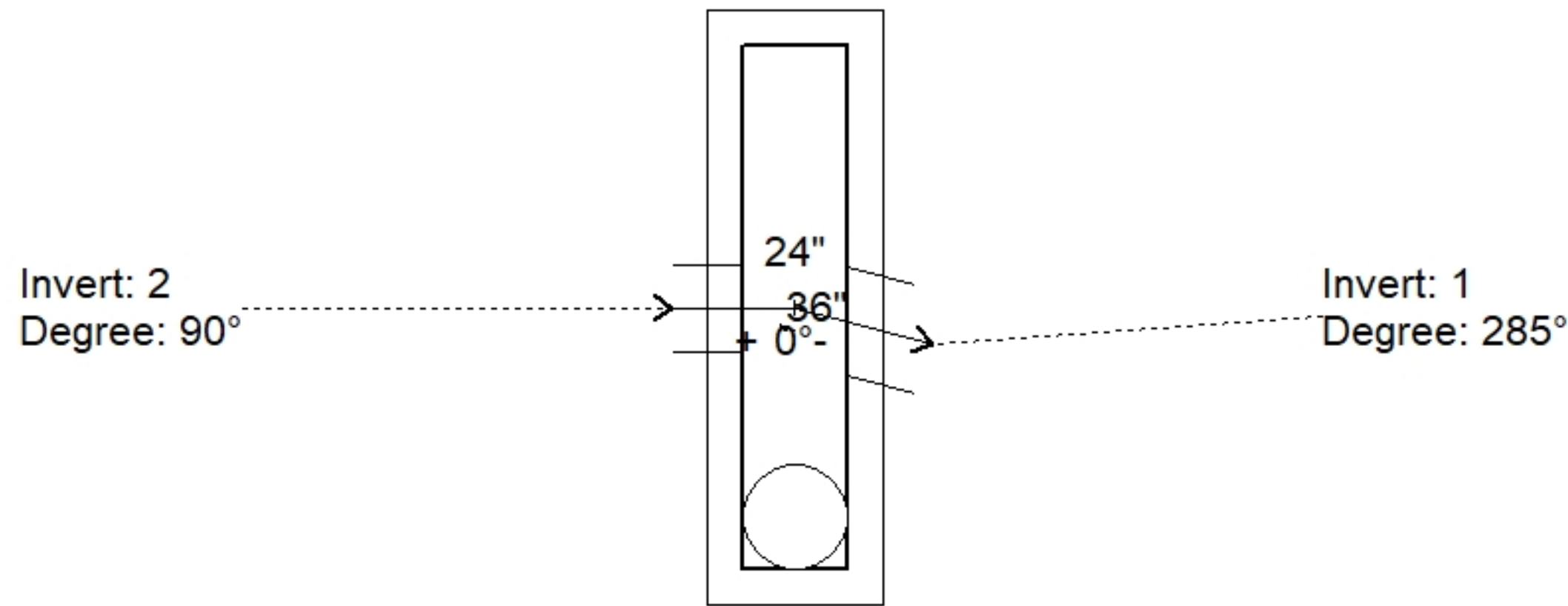
Floor (Bot): 877.463'
 Overall Height: 7.167'
 Slack: -0.12"

Structure Notes:

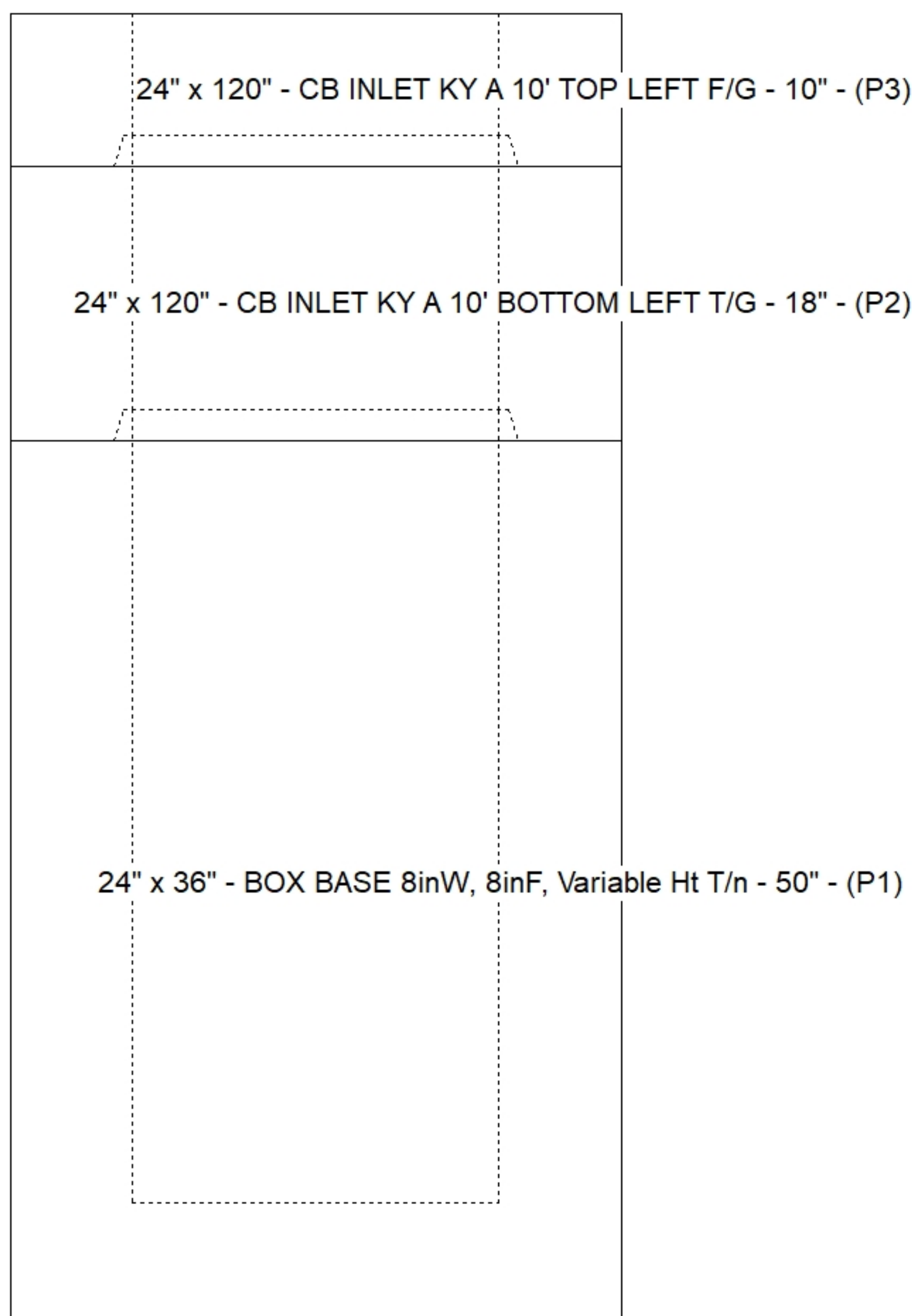
- ** KYTC STATE PROJECT **
- PER KYTC CBI TYPE A / ASTM C913 SPEC'S.
 - CONCRETE = 4,000 PI AT 28 DAYS.
 - NO INVERT CHANNEL.
- REINFORCING PER ASTM A615 (GRADE 60).
 - TOP PHASE (As .62) #5 BARS AT 6" C.C.E.W.
 - WALLS (As .31) #5 BARS AT 12" C.C.E.W.
 - FLOOR (As .31) #5 BARS AT 12" C.C.E.W.

STRUCTURE SUMMARY:

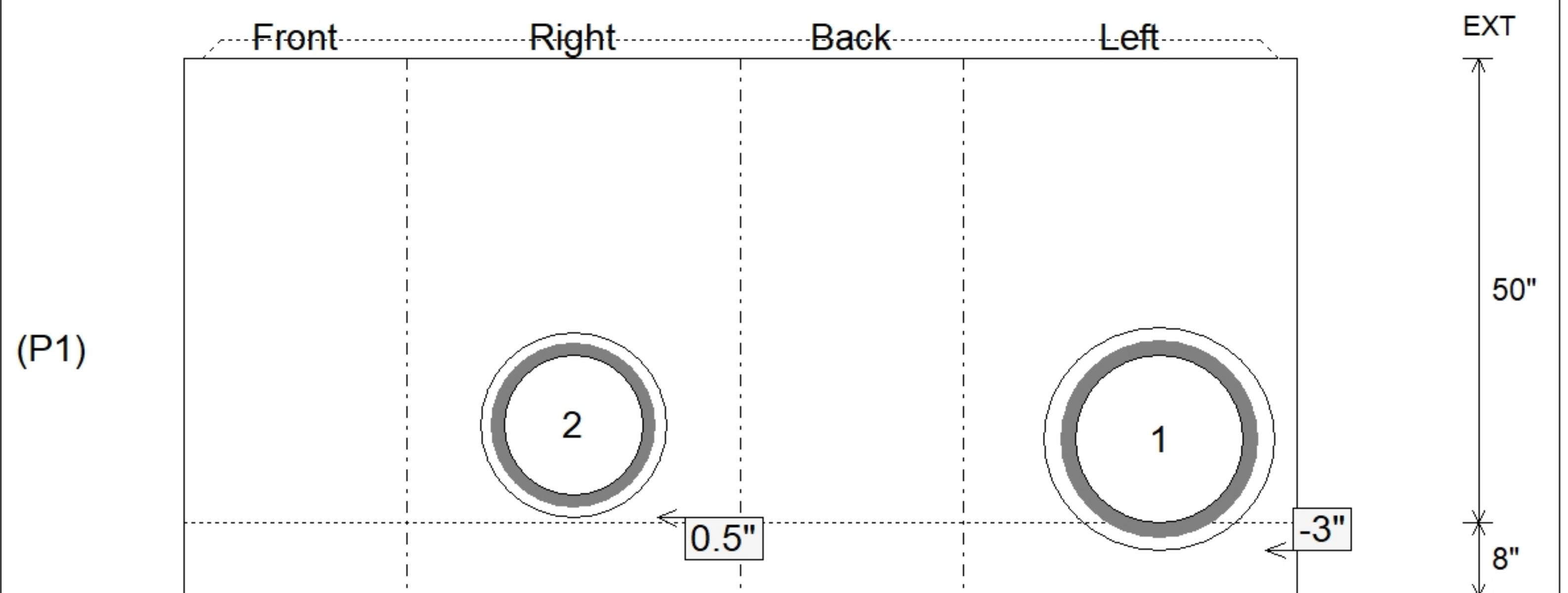
P3) 24" x 120" - CB INLET KY A 10' TOP LEFT F/G - 10"	3400 lb
P2) 24" x 120" - CB INLET KY A 10' BOTTOM LEFT T/G - 18"	5270 lb
P1) 24" x 36" - BOX BASE 8inW, 8inF, Variable Ht T/n - 50"	5973 lb
1) CASTING - HOE KY-206 F/C (KY TY1)	206 lb
1) 24" x 36" - Conseal CS-102 1.00"	0 lb
1) Hole - 24	0 lb
1) Hole - 20	0 lb
Structure Total:	14848 lb



Position	Elev	Angle	Pipe	Pipe OD	Hole	Connector	Up ()	Ref
Rim	884.62'							
Reducer								
Invert 1	878.13'	285°	18" HDPE	21.2"	24"	Hole 24	-3"	P1
Invert 2	878.38'	90°	15" HDPE	17.6"	20"	Hole 20	0.5"	P1
Invert 3								
Invert 4								
Invert 5								
Invert 6								
Invert 7								
Invert 8								



Cast (Int. Dim.) - Interior Dimensions



Submittal Drawing
 12/16/2025 4:34:51 PM

SUBMITTAL
 APPROVED BY: