

**Job Name: 25-1511 Halfhill Estates Ph.3**  
**Job Location: Nicholasville, KY**  
**Contractor: Perdue Environmental Contracting Co., Inc.**

PC: J. Jarvis  
 TECH: J. Horsley  
 Plant: Beaver Dam



Structure ID: **CBI 1907**  
 Spec: KYTC  
 Type: CBI TYPE A (10')  
 Size: 24" x 36"

Rim: 891.77'  
 Invert: 883.42'  
 Rim to Invert: 8.35'

Sump: 0"  
 Floor (Top): 883.42'  
 Floor Height: 8"

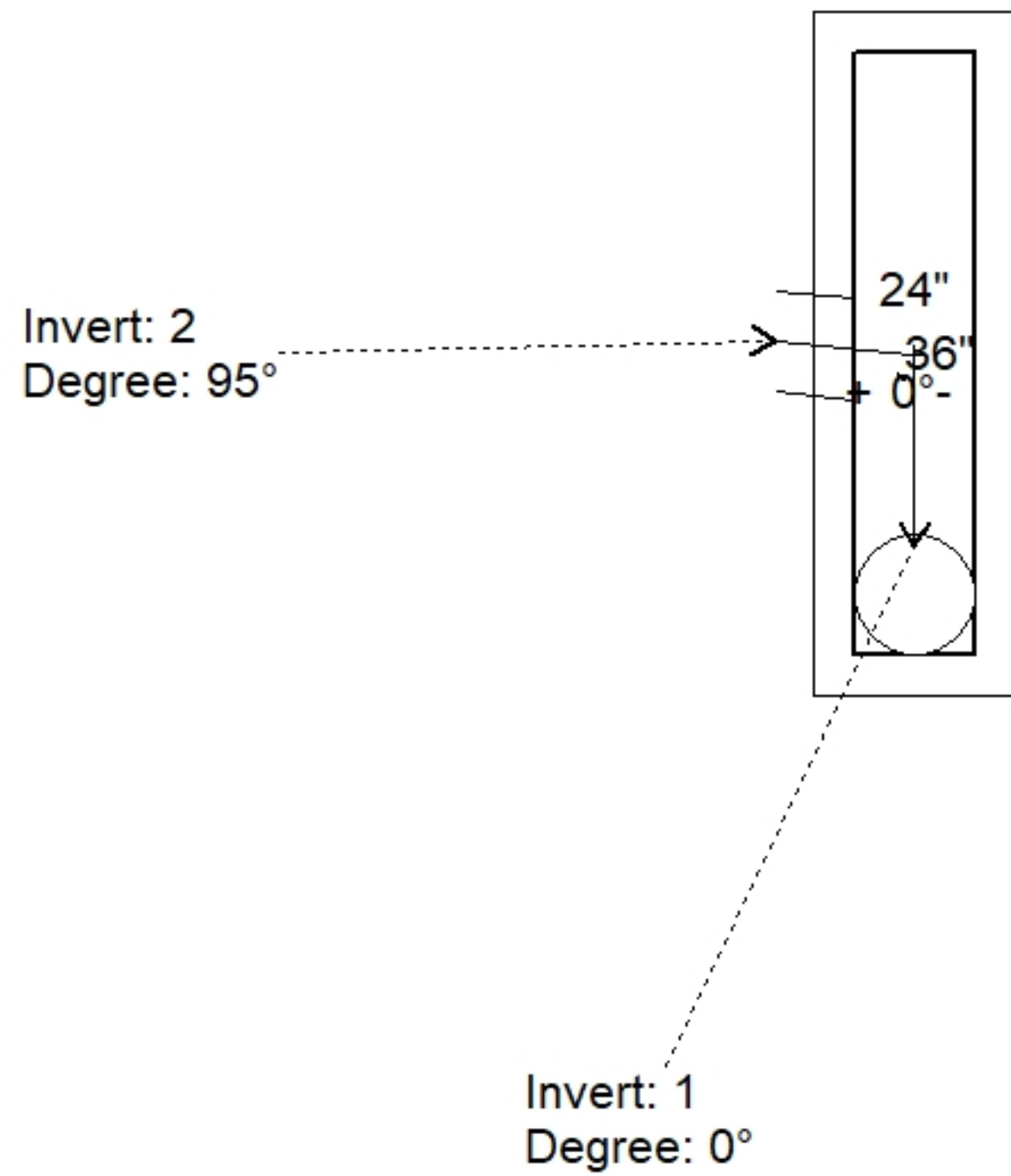
Floor (Bot): 882.753'  
 Overall Height: 9'  
 Slack: 0.2"

Structure Notes:

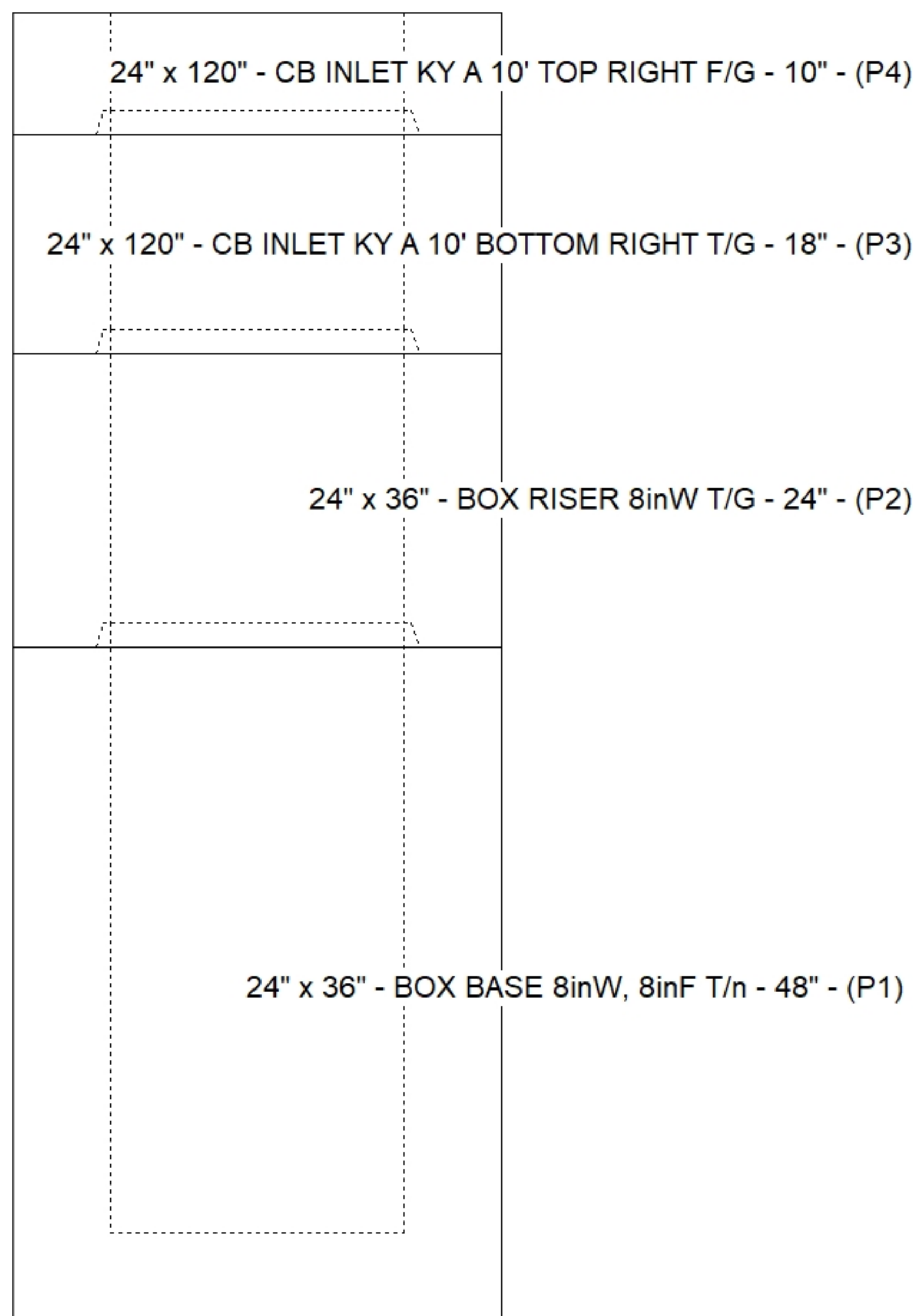
- \*\* KYTC STATE PROJECT \*\*
- PER KYTC CBI TYPE A / ASTM C913 SPEC'S.
  - CONCRETE = 4,000 PI AT 28 DAYS.
  - NO INVERT CHANNEL.
- REINFORCING PER ASTM A615 (GRADE 60).  
 - TOP PHASE (As .62) #5 BARS AT 6" C.C.E.W.  
 - TRANS. SLAB (As .62) #5 BARS AT 6" C.C.E.W (DBL MAT)  
 - WALLS (As .31) #5 BARS AT 12" C.C.E.W.  
 - FLOOR (As .31) #5 BARS AT 12" C.C.E.W.

STRUCTURE SUMMARY:

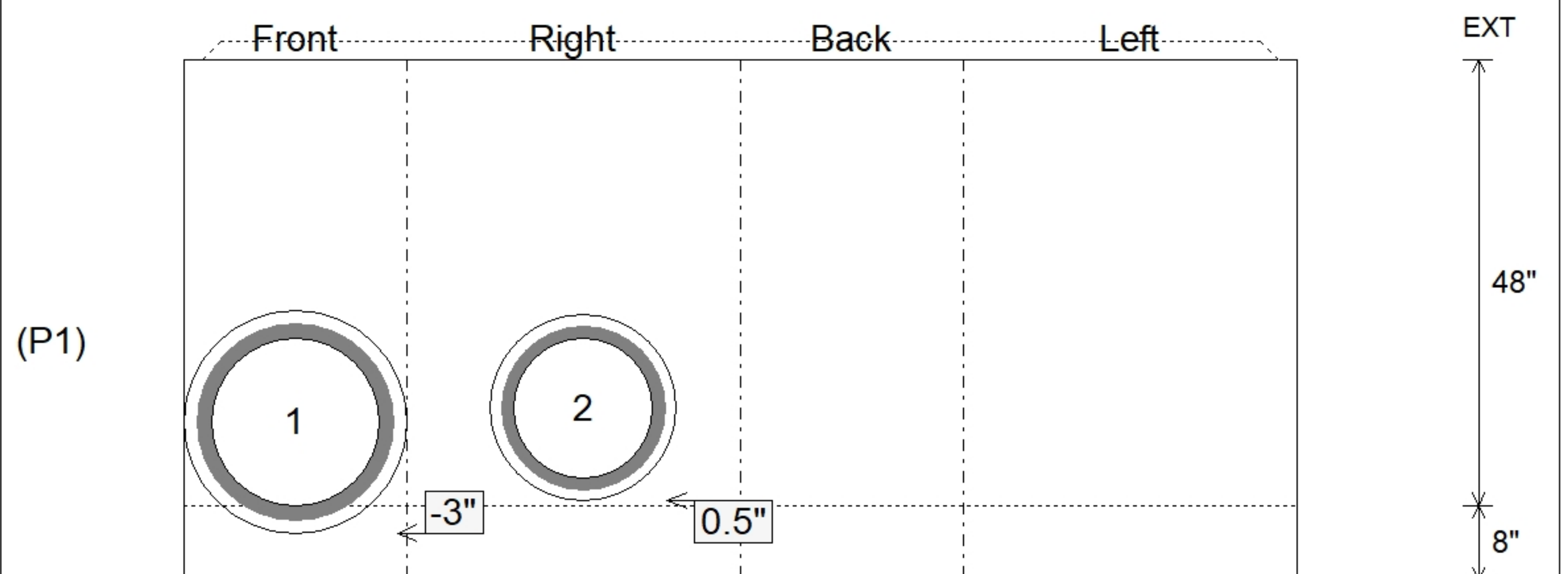
P4) 24" x 120" - CB INLET KY A 10' TOP RIGHT F/G - 10"	3398 lb
P3) 24" x 120" - CB INLET KY A 10' BOTTOM RIGHT T/G - 18"	5270 lb
P2) 24" x 36" - BOX RISER 8inW T/G - 24"	2449 lb
P1) 24" x 36" - BOX BASE 8inW, 8inF T/n - 48"	5855 lb
1) CASTING - HOE KY-206 F/C (KY TY1)	206 lb
2) 24" x 36" - Conseal CS-102 1.00"	0 lb
1) Hole - 24	0 lb
1) Hole - 20	0 lb
<b>Structure Total:</b>	<b>17177 lb</b>



Position	Elev	Angle	Pipe	Pipe OD	Hole	Connector	Up ( )	Ref
Rim	891.77'							
Reducer								
Invert 1	883.42'	0°	18" HDPE	21.2"	24"	Hole 24	-3"	P1
Invert 2	883.67'	95°	15" HDPE	17.6"	20"	Hole 20	0.5"	P1
Invert 3								
Invert 4								
Invert 5								
Invert 6								
Invert 7								
Invert 8								



**Cast (Int. Dim.) - Interior Dimensions**



Submittal Drawing  
 12/16/2025 4:34:46 PM

SUBMITTAL  
 APPROVED BY: