

**Job Name: 25-1511 Halfhill Estates Ph.3**  
**Job Location: Nicholasville, KY**  
**Contractor: Perdue Environmental Contracting Co., Inc.**

PC: J. Jarvis  
 TECH: J. Horsley  
 Plant: Beaver Dam



Structure ID: **CBI 1906**  
 Spec: KYTC  
 Type: CBI TYPE A (10')  
 Size: 48" x 36"

Rim: 889.13'  
 Invert: 880.78'  
 Rim to Invert: 8.35'

Sump: 0"  
 Floor (Top): 880.78'  
 Floor Height: 8"

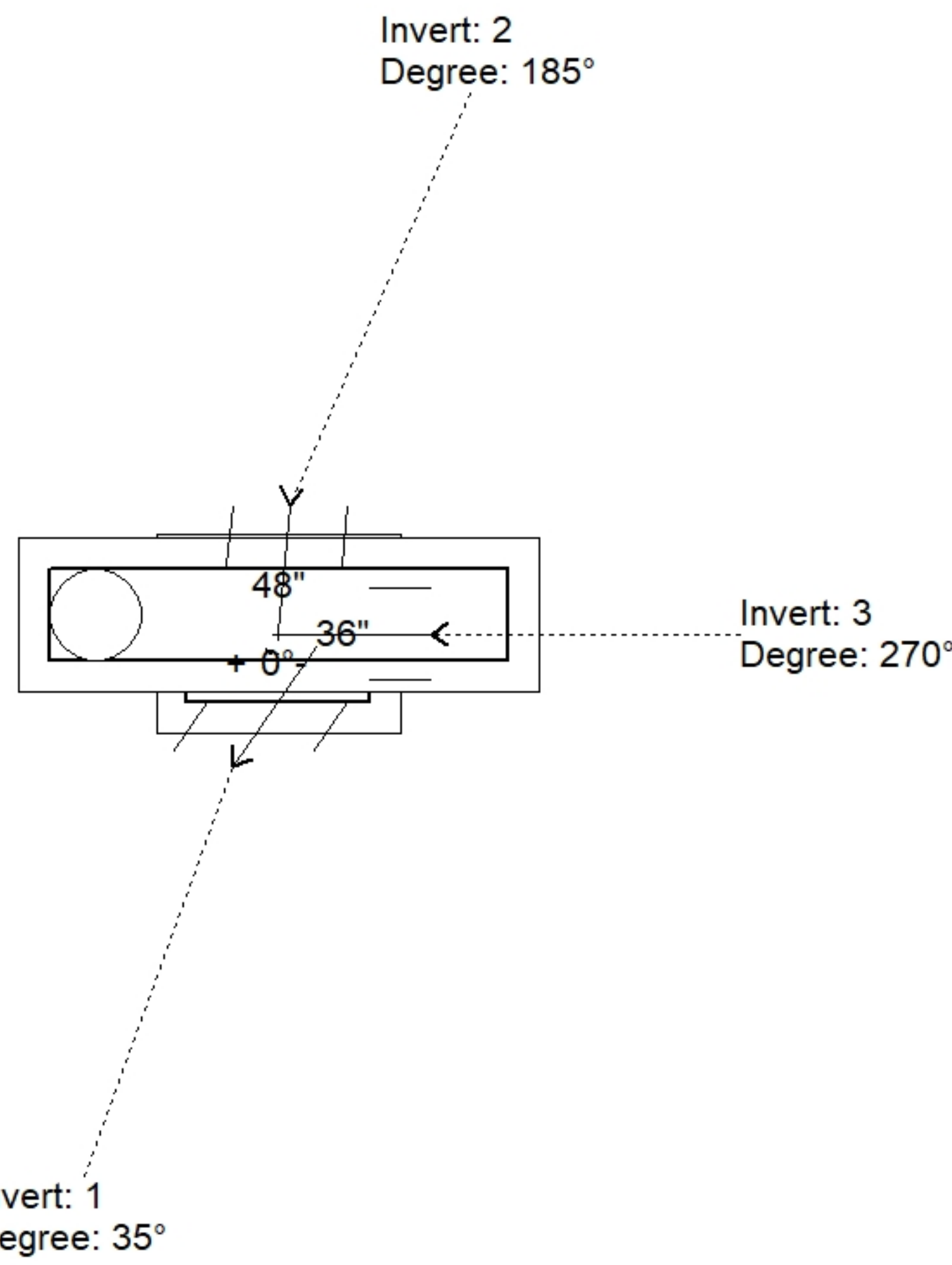
Floor (Bot): 880.113'  
 Overall Height: 9'  
 Slack: 0.2"

**Structure Notes:**

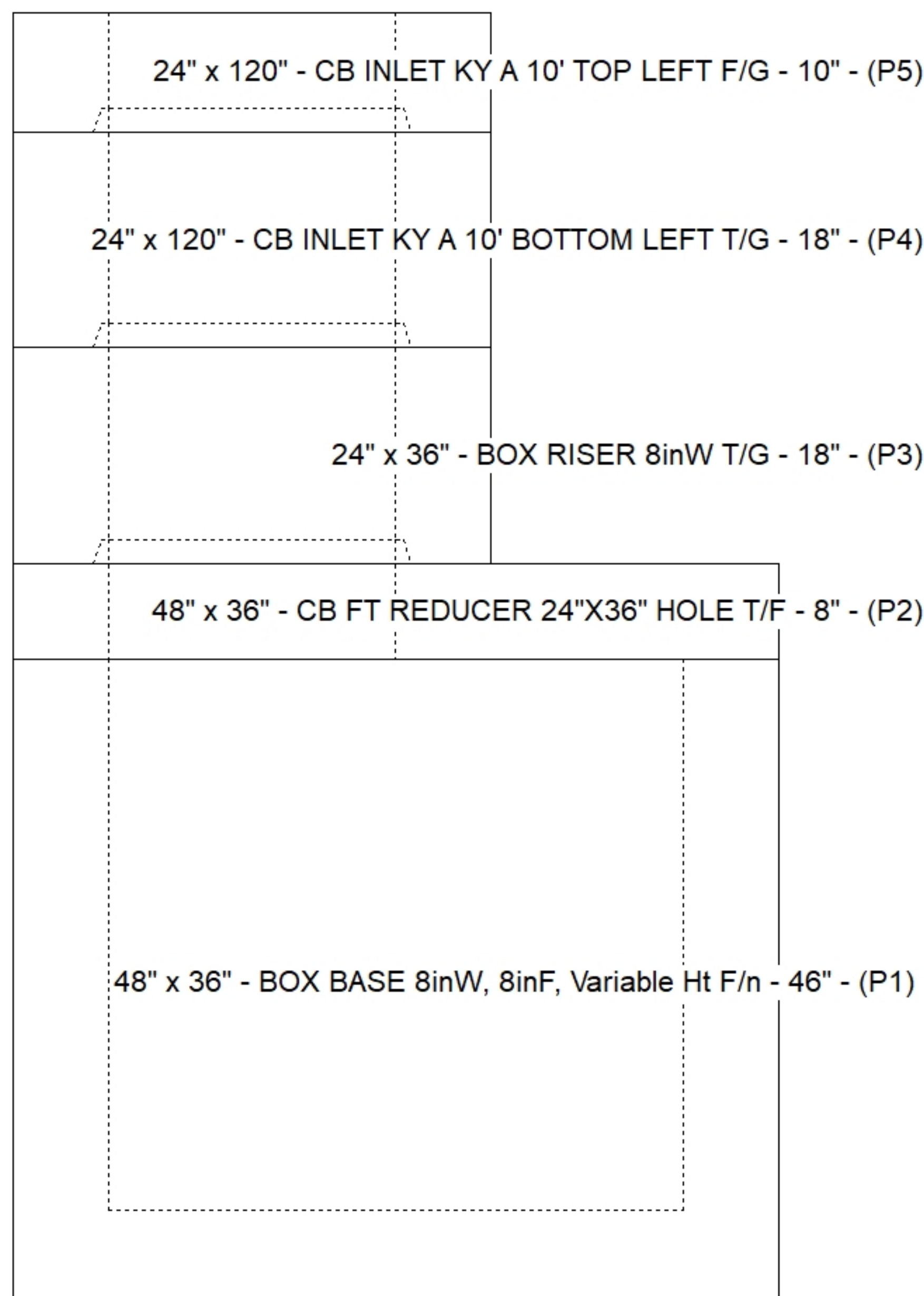
- \*\* KYTC STATE PROJECT \*\*
- PER KYTC CBI TYPE A / ASTM C913 SPEC'S.
  - CONCRETE = 4,000 PI AT 28 DAYS.
  - NO INVERT CHANNEL.
- REINFORCING PER ASTM A615 (GRADE 60).  
 - TOP PHASE (As .62) #5 BARS AT 6" C.C.E.W.  
 - TRANS. SLAB (As .62) #5 BARS AT 6" C.C.E.W (DBL MAT)  
 - WALLS (As .31) #5 BARS AT 12" C.C.E.W.  
 - FLOOR (As .31) #5 BARS AT 12" C.C.E.W.

**STRUCTURE SUMMARY:**

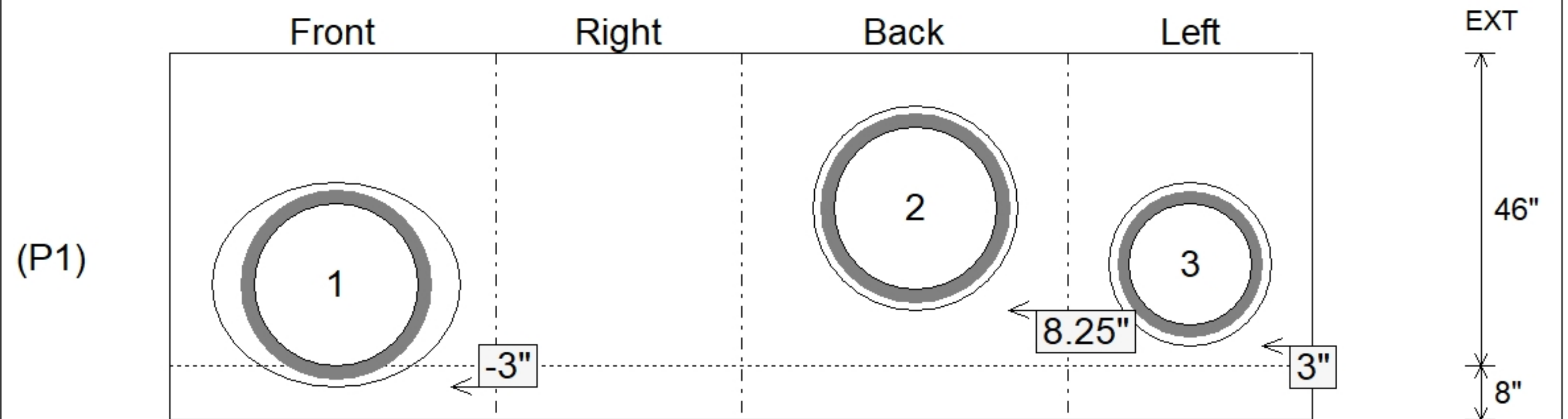
P5) 24" x 120" - CB INLET KY A 10' TOP LEFT F/G - 10"	3400 lb
P4) 24" x 120" - CB INLET KY A 10' BOTTOM LEFT T/G - 18"	5270 lb
P3) 24" x 36" - BOX RISER 8inW T/G - 18"	1837 lb
P2) 48" x 36" - CB FT REDUCER 24"X36" HOLE T/F - 8"	1654 lb
P1) 48" x 36" - BOX BASE 8inW, 8inF, Variable Ht F/n - 46"	7051 lb
1) CASTING - HOE KY-206 F/C (KY TY1)	206 lb
2) 24" x 36" - Conseal CS-102 1.00"	0 lb
2) Hole - 30	0 lb
1) Hole - 24	0 lb
<b>Structure Total:</b>	<b>19417 lb</b>



Position	Elev	Angle	Pipe	Pipe OD	Hole	Connector	Up ( )	Ref
Rim	889.13'							
Reducer	884.613'							
Invert 1	880.78'	35°	24" HDPE	27.8"	30"	Hole 30	-3"	P1
Invert 2	881.72'	185°	24" HDPE	27.8"	30"	Hole 30	8.25"	P1
Invert 3	881.28'	270°	18" HDPE	21.2"	24"	Hole 24	3"	P1
Invert 4								
Invert 5								
Invert 6								
Invert 7								
Invert 8								



**Cast (Int. Dim.) - Interior Dimensions**



Submittal Drawing  
 12/16/2025 4:34:46 PM

SUBMITTAL  
 APPROVED BY: