

Job Name: 25-1511 Halfhill Estates Ph.3
 Job Location: Nicholasville, KY
 Contractor: Perdue Environmental Contracting Co., Inc.

Plant: Beaver Dam

Tech: J. Horsley

12/17/2025 2:00:40 PM

PC: J. Jarvis



Structure ID: CBI 1903

P1 BX3636-08BAVF

BOX BASE 8inW, 8inF, Variable Ht F/n

- P4) 24" x 120" - CB INLET KY A 10' TOP RIGHT F/G - 10"
- P3) 24" x 120" - CB INLET KY A 10' BOTTOM RIGHT T/G - 18"
- P2) 36" x 36" - CB TRANSITION SLAB 24"X36" HOLE T/F - 8"
- P1) 36" x 36" - BOX BASE 8inW, 8inF, Variable Ht F/n - 58"
- 1) CASTING - HOE KY-206 F/C (KY TY1)
- 1) 36" x 36" - Conseal CS-102 1.00"
- 1) 24" x 36" - Conseal CS-102 1.00"
- 1) Hole - 38
- 1) Hole - 30

- 3398 lb
- 5270 lb
- 1235 lb
- 7622 lb
- 206 lb
- 0 lb
- 0 lb
- 0 lb
- 0 lb
- 0 lb

Structure Total: 17731 lb

Structure Notes:

- ** KYTC STATE PROJECT **
- 1. PER KYTC CBI TYPE A / ASTM C913 SPEC'S.
- 2. CONCRETE = 4,000 PI AT 28 DAYS.
- 3. NO INVERT CHANNEL.
- 4. CASTING BY ICAST (HOE KY-206 KY TY.1 F/C) CAST INTO TOP SLAB.

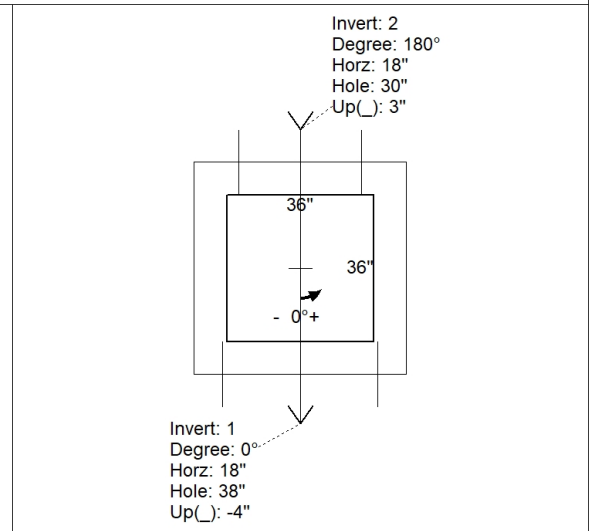
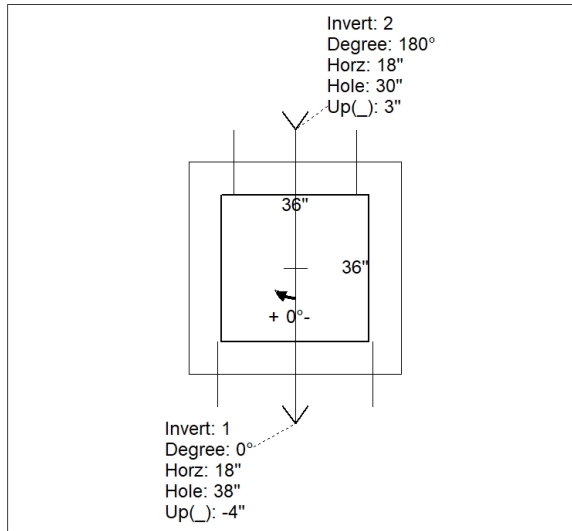
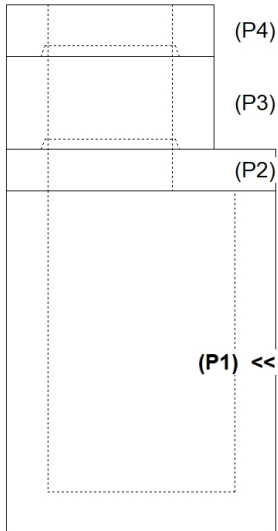
REINFORCING PER ASTM A615 (GRADE 60).
 - TOP PHASE (As .62) #5 BARS AT 6" C.C.E.W.
 - WALLS (As .31) #5 BARS AT 12" C.C.E.W.
 - FLOOR (As .31) #5 BARS AT 12" C.C.E.W.

Rim: 878.83' Rim to Invert: 7.87' Slack: 0.44" Sump: 0" Step Position:

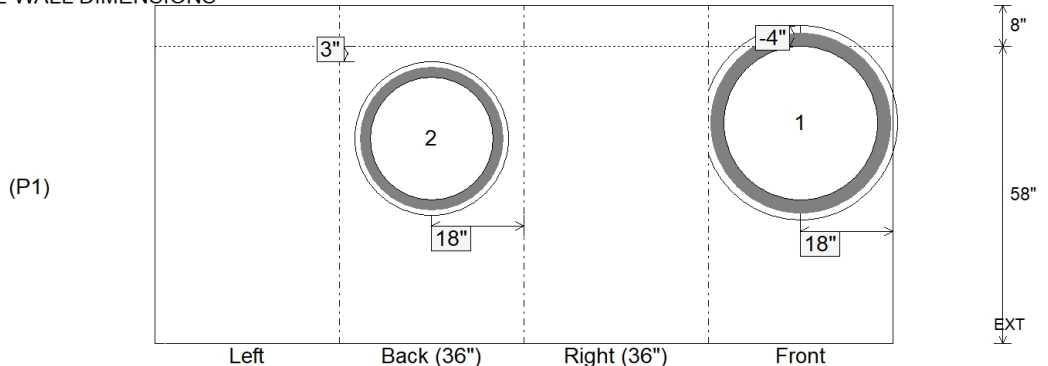
Position	Elev	Angle	Ext. (cw)	Pipe	Pipe OD	Connector	Hole	Horz Size	Up ()	Offset
Invert 1	870.96'	0°	26"	30" HDPE	35.1"	Hole 38	38"	37"	-4"	0"
Invert 2	871.46'	180°	26"	24" HDPE	27.8"	Hole 30	30"	30"	3"	0"
Invert 3										
Invert 4										
Invert 5										
Invert 6										
Invert 7										
Invert 8										

RIGHT-SIDE UP VIEW (int. dimensions)

UPSIDE-DOWN VIEW (int. dimensions)



INSIDE WALL DIMENSIONS



Coating (Int):
 Coating (Ext):

Seam Up: Flat
 Seam Dn: n/a

Wall Thickness: 8"
 Floor Height: 8"

Height (Int): 58"
 Height (Ext): 66"

Weight (Net): 7622 lb
 Volume (Net): 1.95cu.yd