

Job Name: 25-1511 Halfhill Estates Ph.3
Job Location: Nicholasville, KY
Contractor: Perdue Environmental Contracting Co., Inc.

PC: J. Jarvis
 TECH: J. Horsley
 Plant: Beaver Dam



Structure ID: CBI 1902
 Spec: KYTC
 Type: CBI TYPE A (10')
 Size: 60" x 60"

Rim: 875.67'
 Invert: 868.43'
 Rim to Invert: 7.24'

Sump: 0"
 Floor (Top): 868.43'
 Floor Height: 8"

Floor (Bot): 867.763'
 Overall Height: 7.917'
 Slack: -0.12"

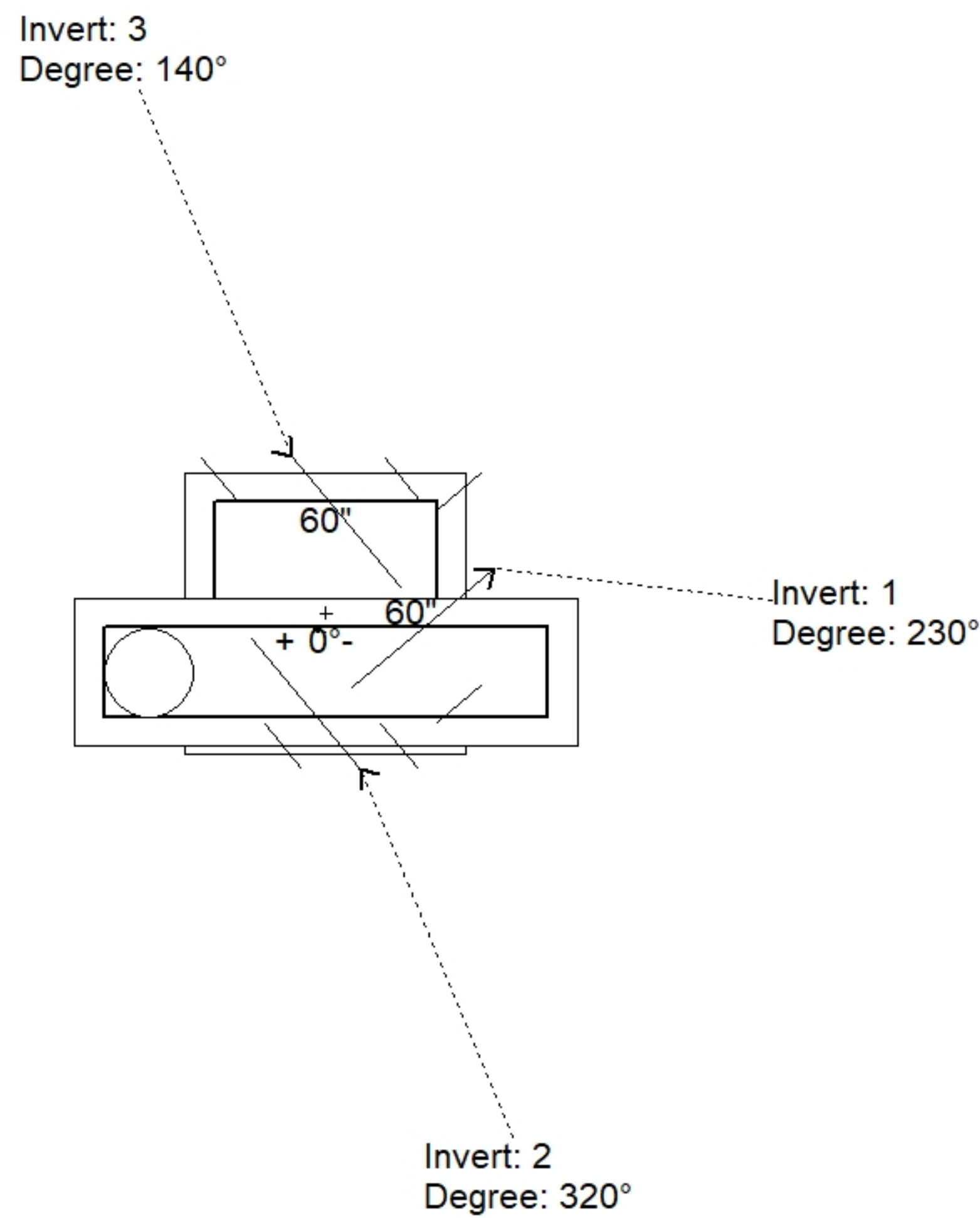
Structure Notes:

- ** KYTC STATE PROJECT **
- PER KYTC CBI TYPE A / ASTM C913 SPEC'S.
 - CONCRETE = 4,000 PI AT 28 DAYS.
 - NO INVERT CHANNEL.
 - CASTING BY ICAST (HOE KY-206 KY TY.1 F/C) CAST INTO TOP SLAB.

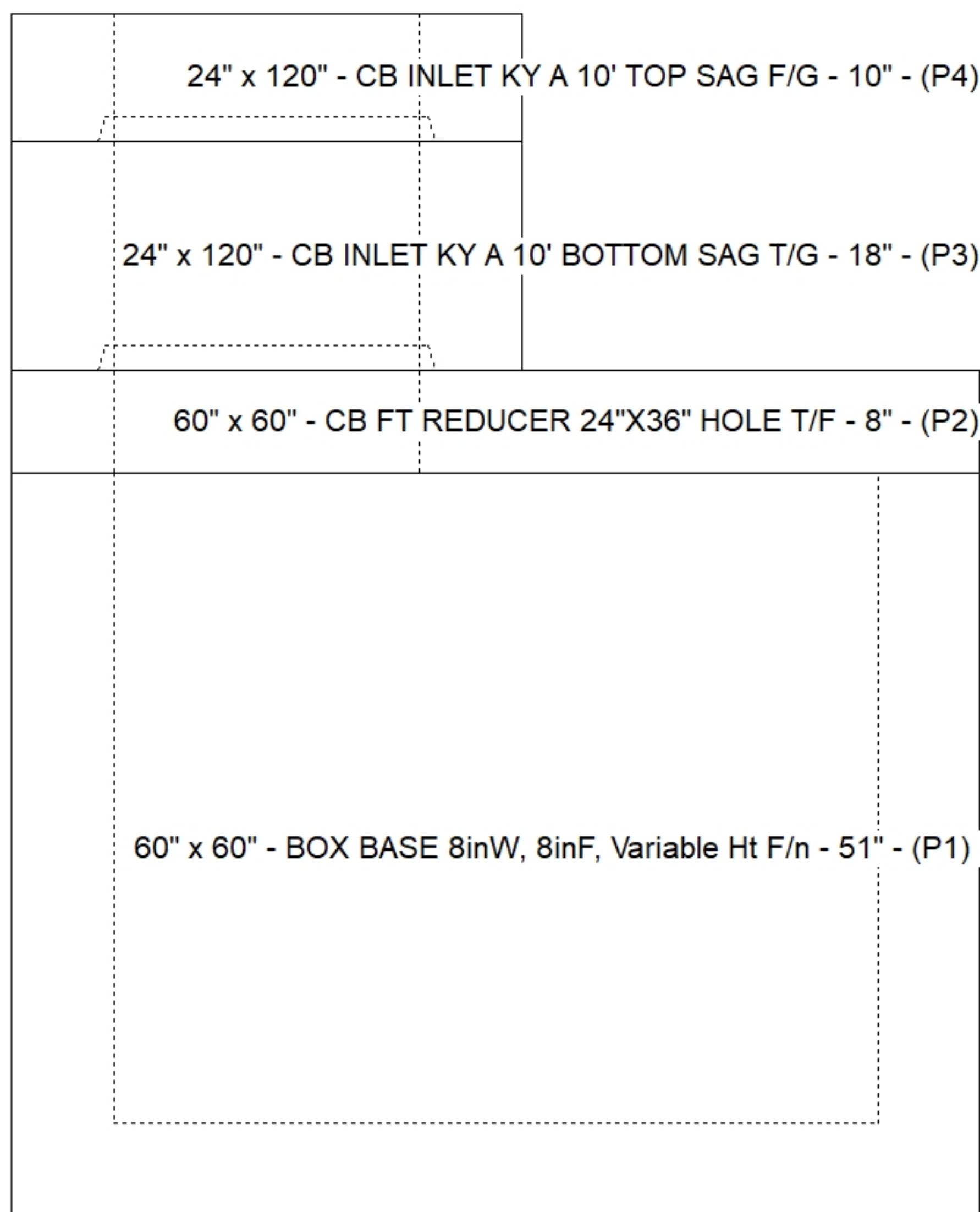
REINFORCING PER ASTM A615 (GRADE 60).
 - TOP PHASE (As .62) #5 BARS AT 6" C.C.E.W.
 - TRANS. SLAB (As .62) #5 BARS AT 6" C.C.E.W (DBL MAT)
 - WALLS (As .31) #5 BARS AT 12" C.C.E.W.
 - FLOOR (As .31) #5 BARS AT 12" C.C.E.W.

STRUCTURE SUMMARY:

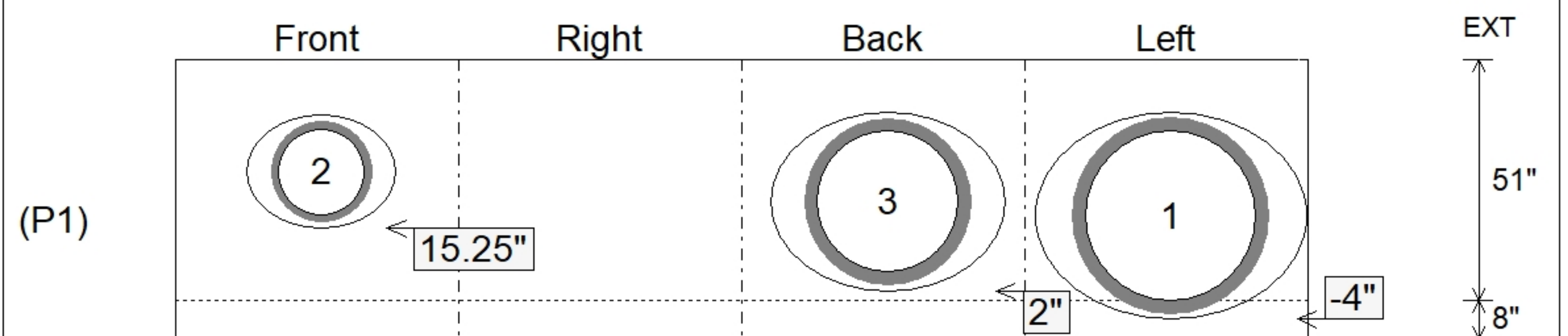
P4) 24" x 120" - CB INLET KY A 10' TOP SAG F/G - 10"	3398 lb
P3) 24" x 120" - CB INLET KY A 10' BOTTOM SAG T/G - 18"	5270 lb
P2) 60" x 60" - CB FT REDUCER 24"X36" HOLE T/F - 8"	3297 lb
P1) 60" x 60" - BOX BASE 8inW, 8inF, Variable Ht F/n - 51"	10467 lb
1) CASTING - HOE KY-206 F/C (KY TY1)	206 lb
1) 60" x 60" - Conseal CS-102 1.00"	0 lb
1) 24" x 36" - Conseal CS-102 1.00"	0 lb
1) Hole - 44	0 lb
1) Hole - 24	0 lb
1) Hole - 38	0 lb
Structure Total:	22638 lb



Position	Elev	Angle	Pipe	Pipe OD	Hole	Connector	Up (")	Ref
Rim	875.67'							
Reducer	872.68'							
Invert 1	868.43'	230°	36" HDPE	41.7"	44"	Hole 44	-4"	P1
Invert 2	869.95'	320°	18" HDPE	21.2"	24"	Hole 24	15.25"	P1
Invert 3	868.93'	140°	30" HDPE	35.1"	38"	Hole 38	2"	P1
Invert 4								
Invert 5								
Invert 6								
Invert 7								
Invert 8								



Cast (Int. Dim.) - Interior Dimensions



Submittal Drawing
 12/16/2025 4:34:44 PM

SUBMITTAL
 APPROVED BY: