

Job Name: 25-1511 Halfhill Estates Ph.2
Job Location: Nicholasville, KY
Contractor: Perdue Environmental Contracting Co., Inc.

PC: T. Ryan
 TECH: J. Horsley
 Plant: Beaver Dam



Structure ID: MH-4A02

Spec: Storm
 Type: STM.MH (Recessed pipe)
 Size: 48"

Rim: 893.97'
 Invert: 889.8'
 Rim to Invert: 4.17'

Sump: 0"
 Floor (Top): 889.8'
 Floor Height: 6"

Floor (Bot): 889.3'
 Overall Height: 4.583'
 Slack: 1.04"

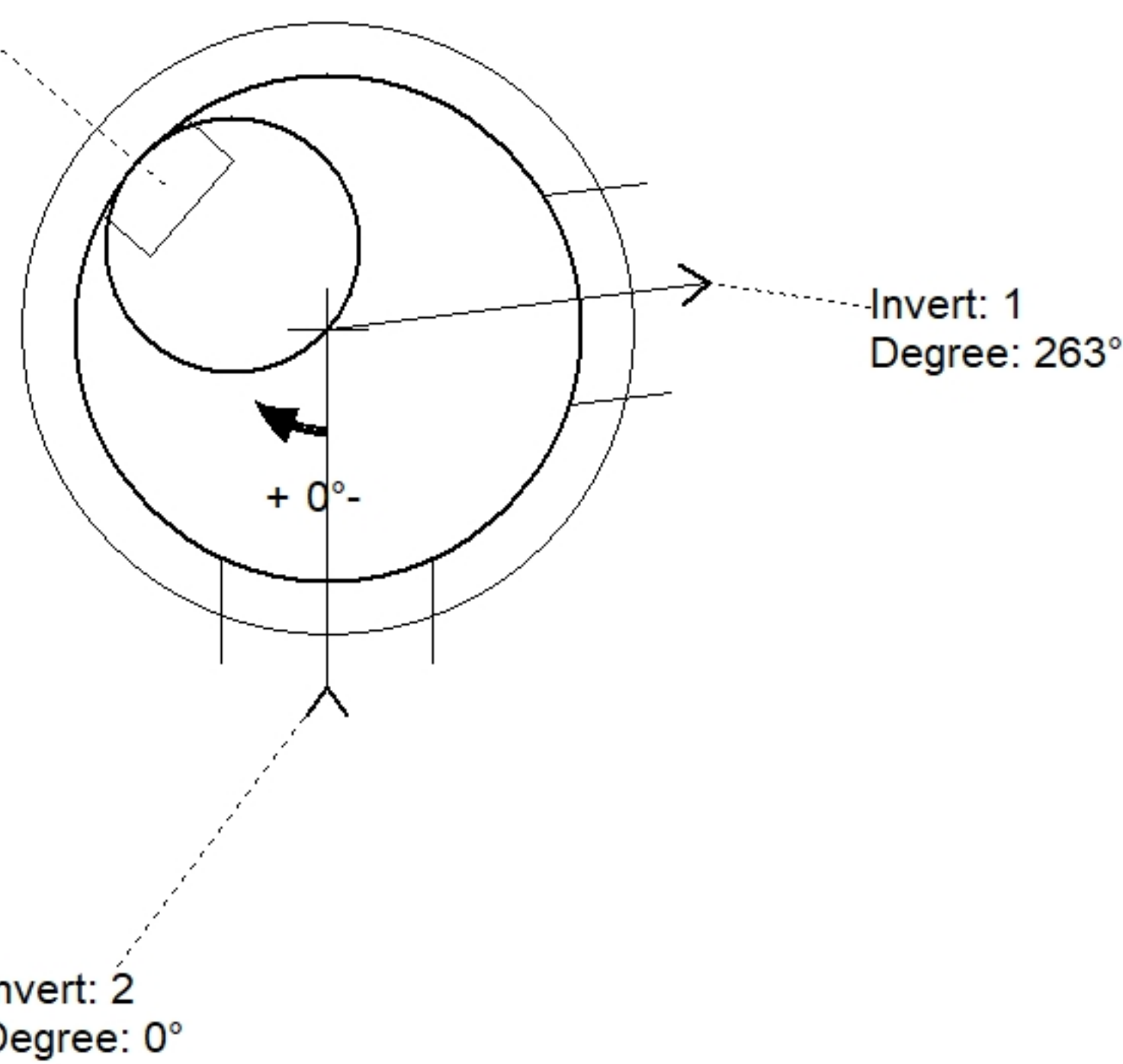
Structure Notes:

- PER ASTM C478 SPECIFICATIONS.
 - CONCRETE = 4,000 PSI AT 28 DAYS.
 - REINFORCING PER ASTM A615 (GRADE 60).
 - CASTING BY ICAST (HOE MC-350 F/C).
- REINFORCING PER ASTM A615 (GRADE 60).
 - CONE/RISER (As .12)
 - FLOOR (As .31) #5 BARS AT 12" C.C.E.W.

STRUCTURE SUMMARY:

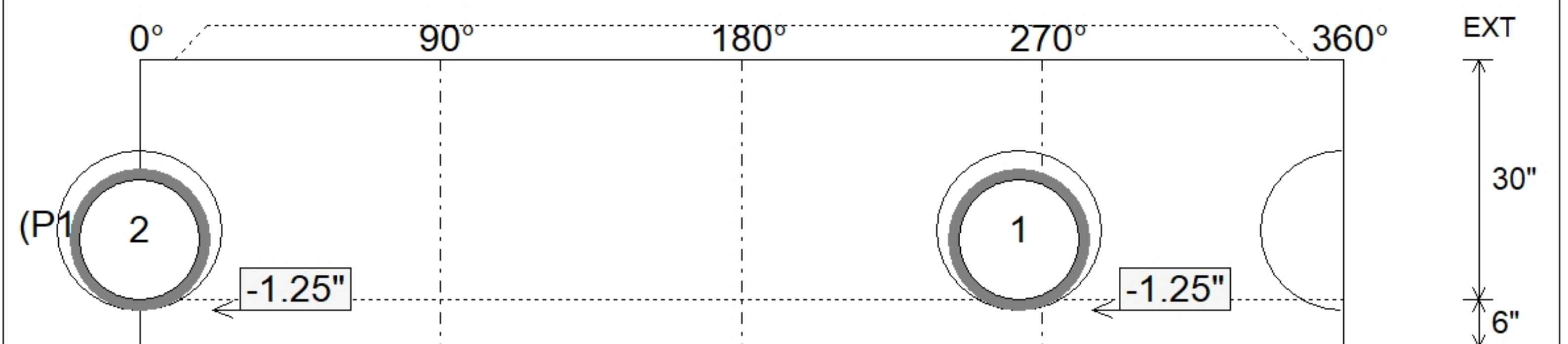
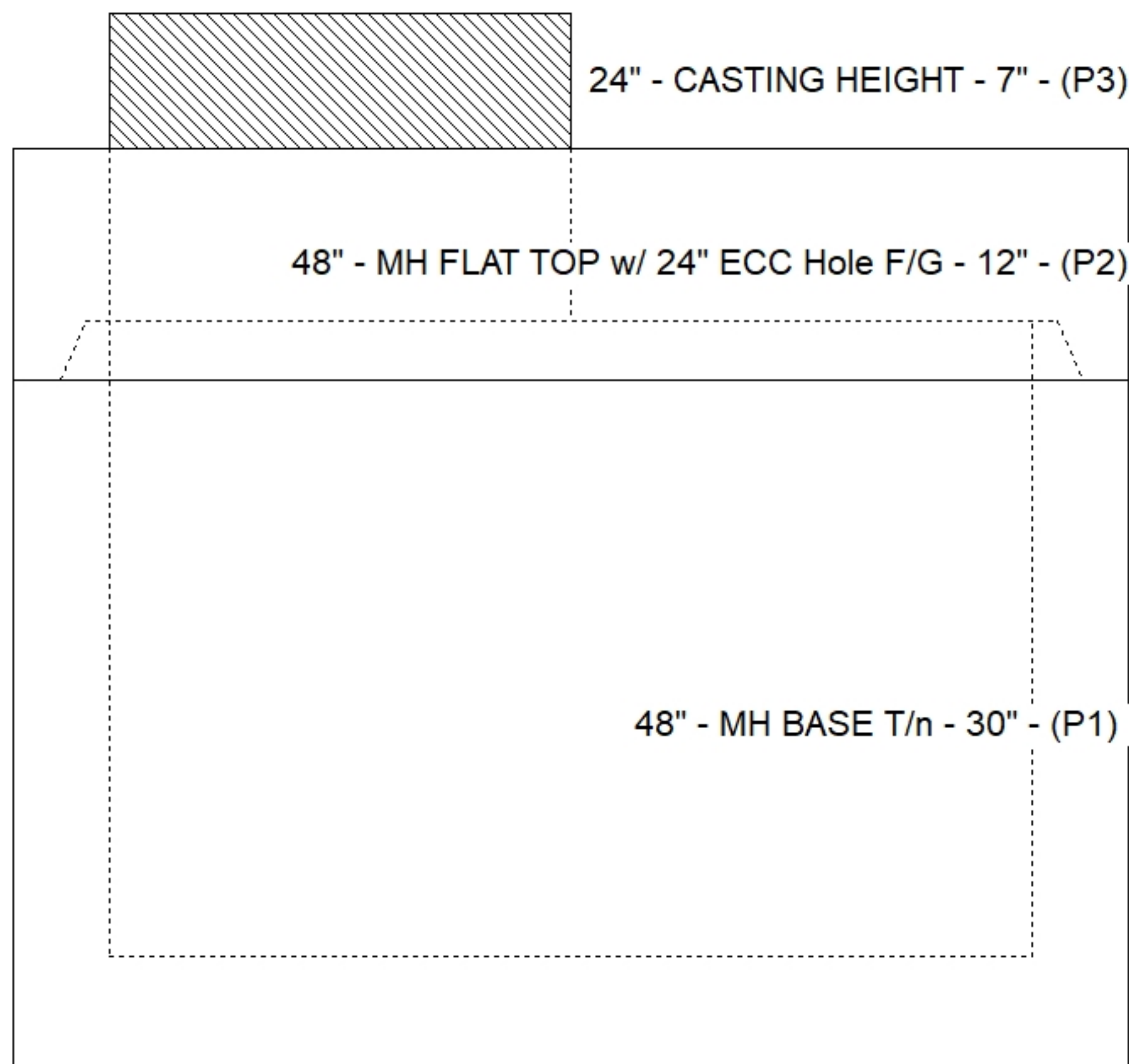
P3) 24" - CASTING HEIGHT - 7"	0 lb
P2) 48" - MH FLAT TOP w/ 24" ECC Hole F/G - 12"	1561 lb
P1) 48" - MH BASE T/n - 30"	3155 lb
1) CASTING - HOE MC-350 F/C Storm	305 lb
1) 48" - Conseal CS-102 1.00"	0 lb
2) Hole - 20	0 lb
3) MH Step ML-10-TDS-NCR - 10"	0 lb
Structure Total:	5021 lb

Step: 131.5°



Position	Elev	Angle	Pipe	Pipe OD	Hole	Connector	Up ()	Ref
Rim	893.97'							
Reducer								
Invert 1	889.8'	263°	15" HDPE	17.6"	20"	Hole 20	-1.25"	P1
Invert 2	889.8'	0°	15" HDPE	17.6"	20"	Hole 20	-1.25"	P1
Invert 3								
Invert 4								
Invert 5								
Invert 6								
Invert 7								
Invert 8								

Cast (Int. Dim.) - Interior Dimensions



Submittal Drawing
 11/11/2025 4:04:15 PM

SUBMITTAL
 APPROVED BY: