

Job Name: 25-1511 Halfhill Estates Ph.2  
 Job Location: Nicholasville, KY  
 Contractor: Perdue Environmental Contracting Co., Inc.

Plant: Beaver Dam  
 11/11/2025 4:06:33 PM

Tech: J. Horsley  
 PC: T. Ryan



**Structure ID: MH-4A02**

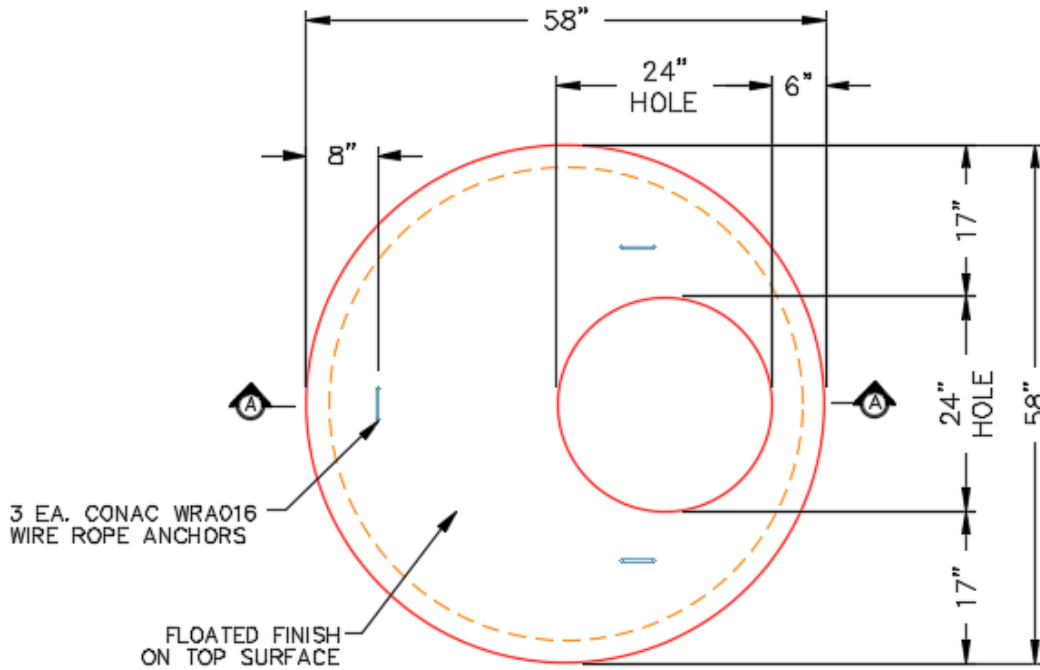
**P2 MH048LD12ECC**

**MH FLAT TOP w/ 24" ECC Hole F/G**

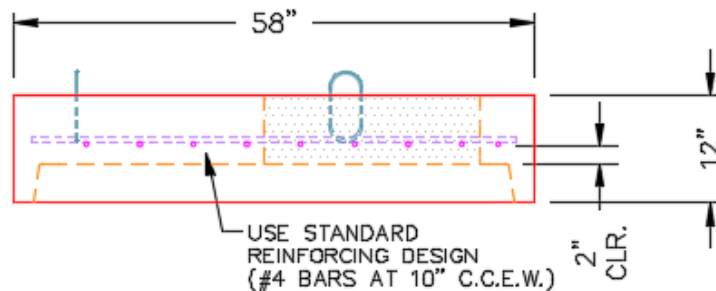
- P3) 24" - CASTING HEIGHT - 7"
- P2) 48" - MH FLAT TOP w/ 24" ECC Hole F/G - 12"
- P1) 48" - MH BASE T/n - 30"
- 1) CASTING - HOE MC-350 F/C Storm
- 1) 48" - Conseal CS-102 1.00"
- 2) Hole - 20
- 3) MH Step ML-10-TDS-NCR - 10"

0 lb  
 1561 lb  
 3155 lb  
 305 lb  
 0 lb  
 0 lb  
 0 lb  
 -----  
 Structure Total: 5021 lb

- Structure Notes:**
1. PER ASTM C478 SPECIFICATIONS.
  2. CONCRETE = 4,000 PSI AT 28 DAYS.
  3. REINFORCING PER ASTM A615 (GRADE 60).
  4. CASTING BY ICAST (HOE MC-350 F/C).
- REINFORCING PER ASTM A615 (GRADE 60).  
 - CONE/RISER (As .12)  
 - FLOOR (As .31) #5 BARS AT 12" C.C.E.W.



**PLAN VIEW**



**SECTION A-A**

Coating (Int):  
 Coating (Ext):

Seam Up: Flat  
 Seam Dn: Groove

Wall Thickness: 5"

Height (Ext): 12"

Weight (Net): 1561 lb  
 Volume (Net): 0.42cu.yd