

**Job Name: 25-1511 Halfhill Estates Ph.2**  
**Job Location: Nicholasville, KY**  
**Contractor: Perdue Environmental Contracting Co., Inc.**

PC: T. Ryan  
 TECH: J. Horsley  
 Plant: Beaver Dam



Structure ID: **MH-4A01**  
 Spec: Storm  
 Type: STM.MH (Recessed pipe)  
 Size: 48"

Rim: 892.39'  
 Invert: 887.22'  
 Rim to Invert: 5.17'

Sump: 0"  
 Floor (Top): 887.22'  
 Floor Height: 6"

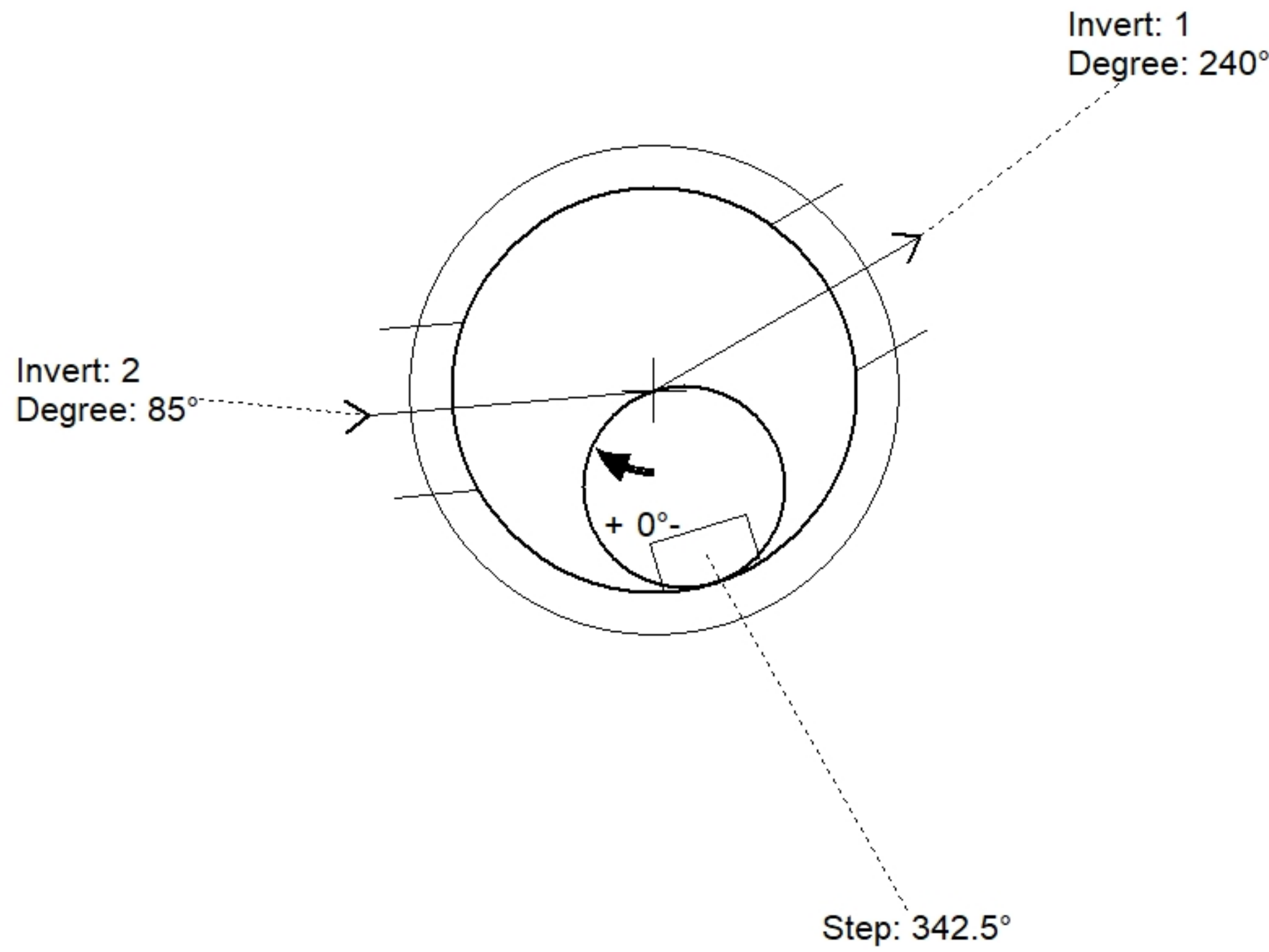
Floor (Bot): 886.72'  
 Overall Height: 5.583'  
 Slack: 1.04"

**Structure Notes:**

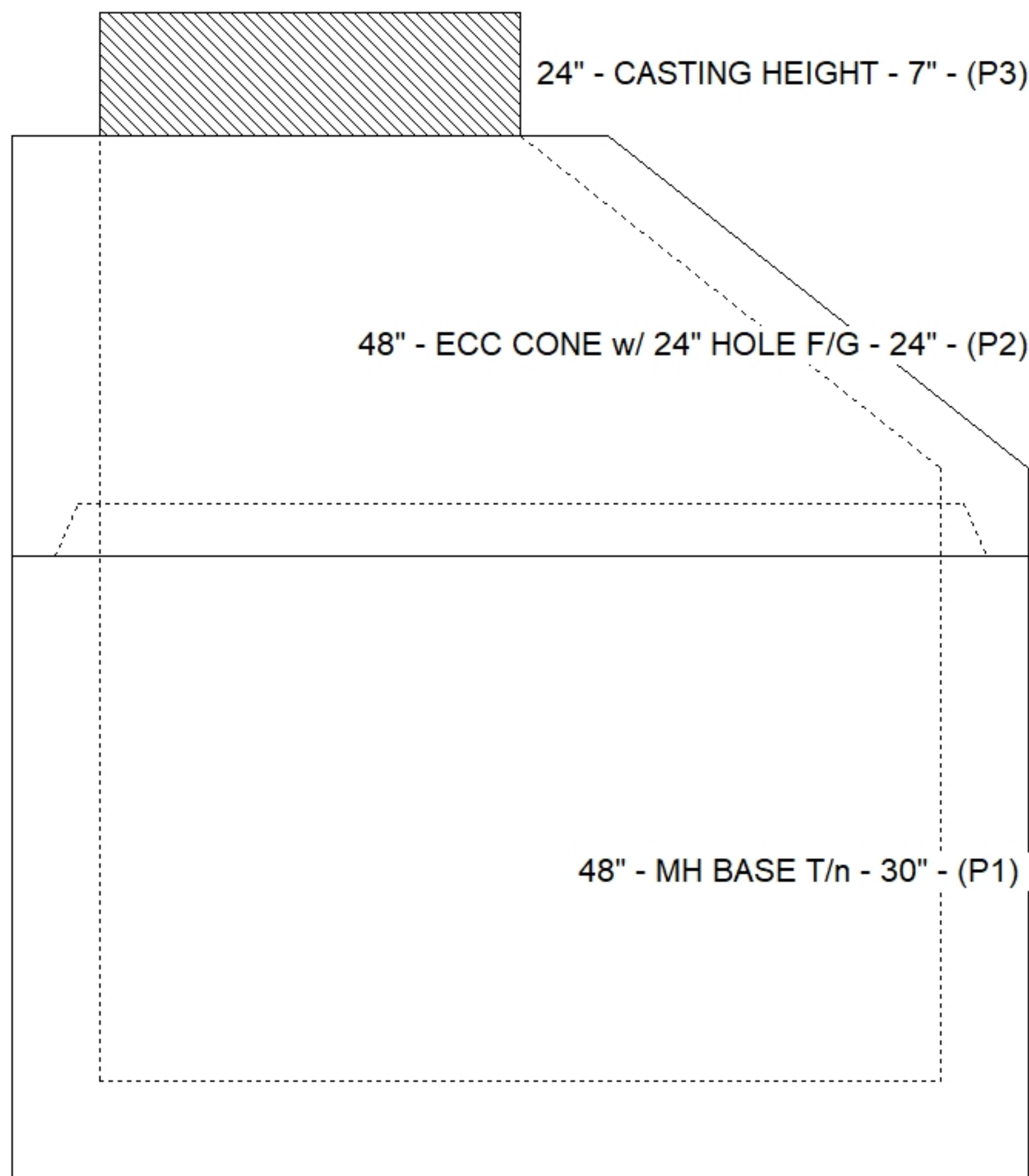
- PER ASTM C478 SPECIFICATIONS.
  - CONCRETE = 4,000 PSI AT 28 DAYS.
  - REINFORCING PER ASTM A615 (GRADE 60).
  - CASTING BY ICAST (HOE MC-350 F/C).
- REINFORCING PER ASTM A615 (GRADE 60).  
 - CONE/RISER (As .12)  
 - FLOOR (As .31) #5 BARS AT 12" C.C.E.W.

**STRUCTURE SUMMARY:**

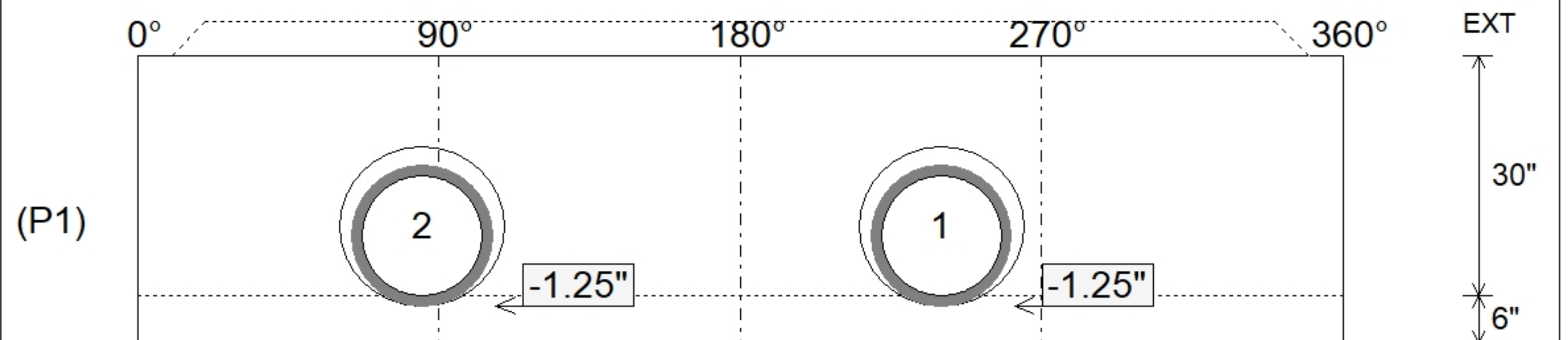
P3) 24" - CASTING HEIGHT - 7"	0 lb
P2) 48" - ECC CONE w/ 24" HOLE F/G - 24"	1550 lb
P1) 48" - MH BASE T/n - 30"	3155 lb
1) CASTING - HOE MC-350 F/C Storm	305 lb
1) 48" - Conseal CS-102 1.00"	0 lb
2) Hole - 20	0 lb
5) MH Step ML-10-TDS-NCR - 10"	0 lb
<b>Structure Total:</b>	<b>5010 lb</b>



Position	Elev	Angle	Pipe	Pipe OD	Hole	Connector	Up ( )	Ref
Rim	892.39'							
Reducer								
Invert 1	887.22'	240°	15" HDPE	17.6"	20"	Hole 20	-1.25"	P1
Invert 2	887.22'	85°	15" HDPE	17.6"	20"	Hole 20	-1.25"	P1
Invert 3								
Invert 4								
Invert 5								
Invert 6								
Invert 7								
Invert 8								



**Cast (Int. Dim.) - Interior Dimensions**



Submittal Drawing  
 11/11/2025 4:04:14 PM

SUBMITTAL  
 APPROVED BY: