

Job Name: 25-1511 Halfhill Estates Ph.2
 Job Location: Nicholasville, KY
 Contractor: Perdue Environmental Contracting Co., Inc.

Plant: Beaver Dam
 11/11/2025 4:06:30 PM

Tech: J. Horsley
 PC: T. Ryan



Structure ID: MH-4A01

P2 MH048CN24

ECC CONE w/ 24" HOLE F/G

- P3) 24" - CASTING HEIGHT - 7"
- P2) 48" - ECC CONE w/ 24" HOLE F/G - 24"
- P1) 48" - MH BASE T/n - 30"
- 1) CASTING - HOE MC-350 F/C Storm
- 1) 48" - Conseal CS-102 1.00"
- 2) Hole - 20
- 5) MH Step ML-10-TDS-NCR - 10"

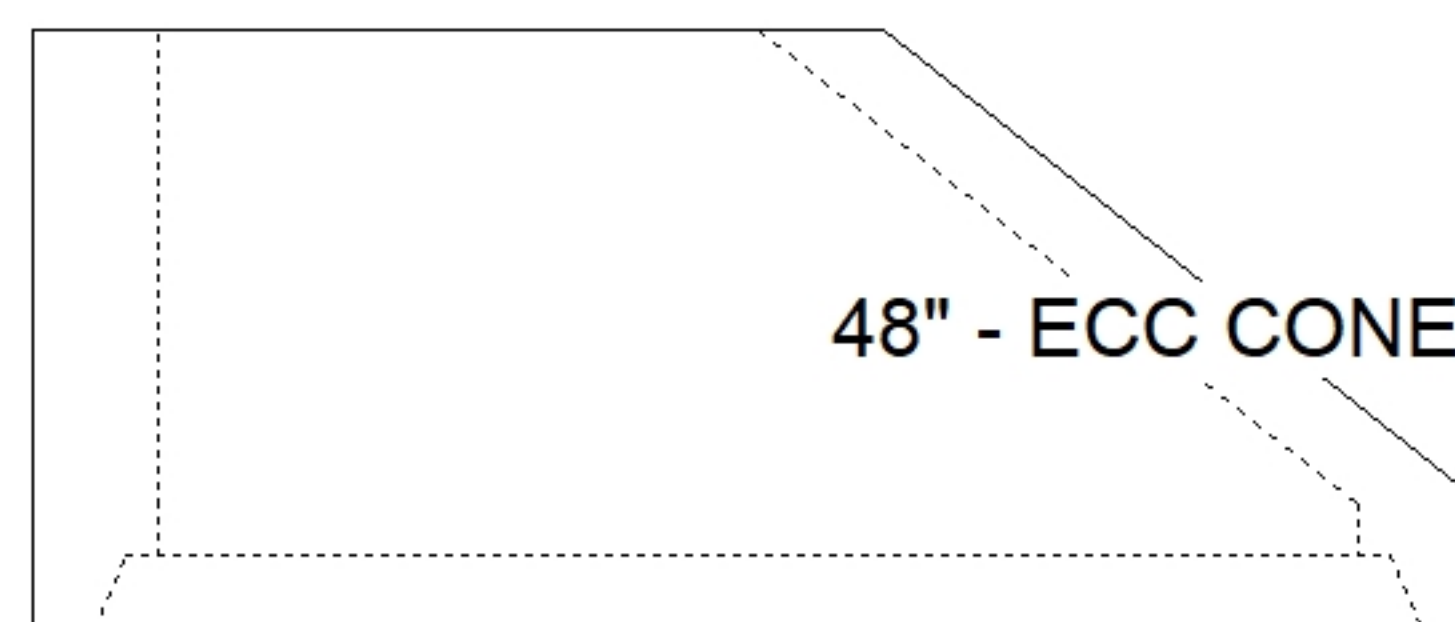
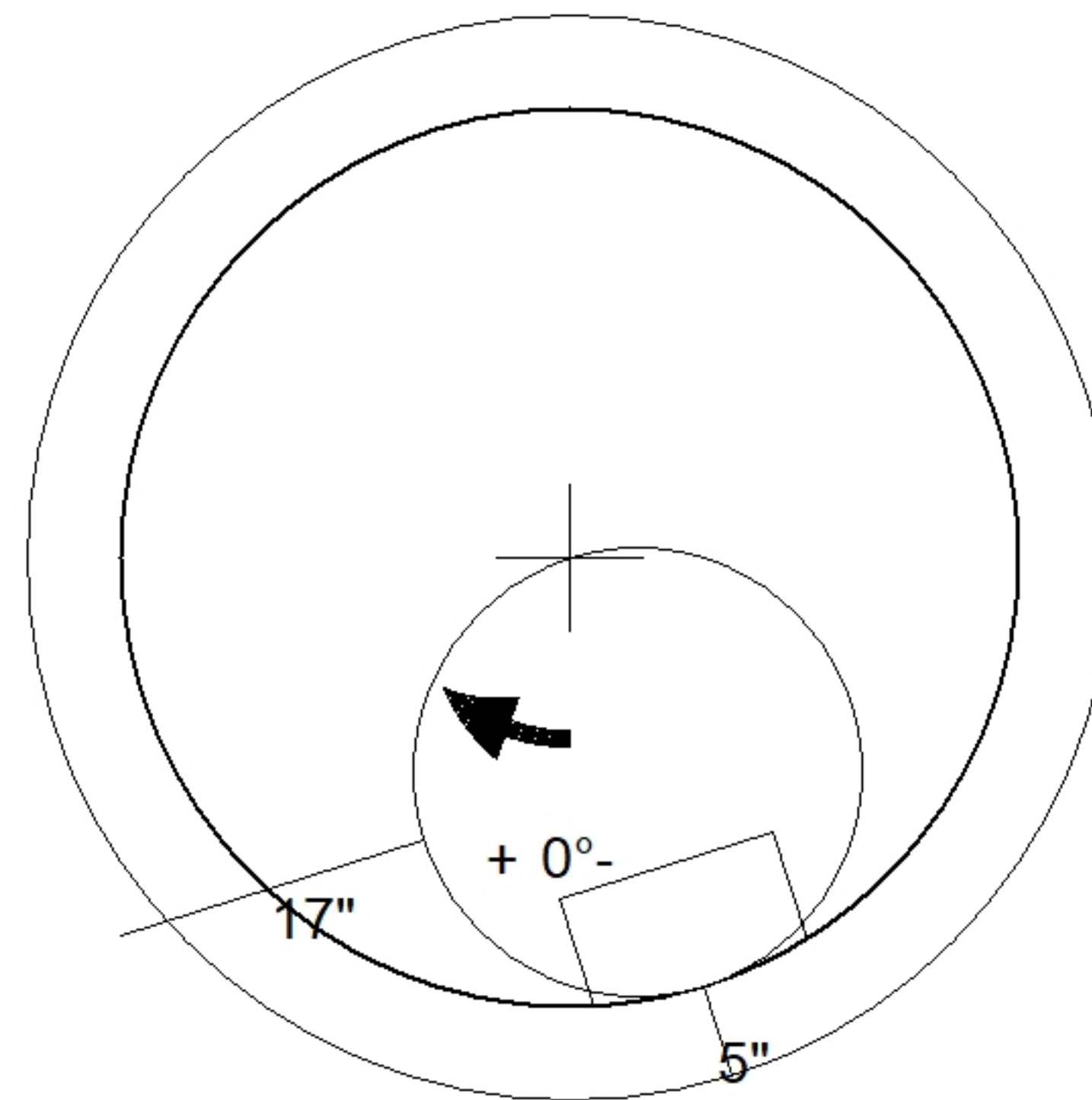
	0 lb
	1550 lb
	3155 lb
	305 lb
	0 lb
	0 lb
	0 lb
Structure Total:	5010 lb

Structure Notes:

1. PER ASTM C478 SPECIFICATIONS.
2. CONCRETE = 4,000 PSI AT 28 DAYS.
3. REINFORCING PER ASTM A615 (GRADE 60).
4. CASTING BY ICAST (HOE MC-350 F/C).

REINFORCING PER ASTM A615 (GRADE 60).

- CONE/RISER (As .12)
- FLOOR (As .31) #5 BARS AT 12" C.C.E.W.



Coating (Int): Coating (Ext):	Seam Up: Flat Seam Dn: Groove	Wall Thickness: 5"	Height (Ext): 24"	Weight (Net): 1550 lb Volume (Net): 0.33cu.yd
----------------------------------	----------------------------------	--------------------	-------------------	--