

Job Name: 25-1511 Halfhill Estates Ph.2	Plant: Beaver Dam	Tech: J. Horsley	
Job Location: Nicholasville, KY	11/11/2025 4:06:35 PM	PC: T. Ryan	
Contractor: Perdue Environmental Contracting Co., Inc.			

Structure ID: MH F-3

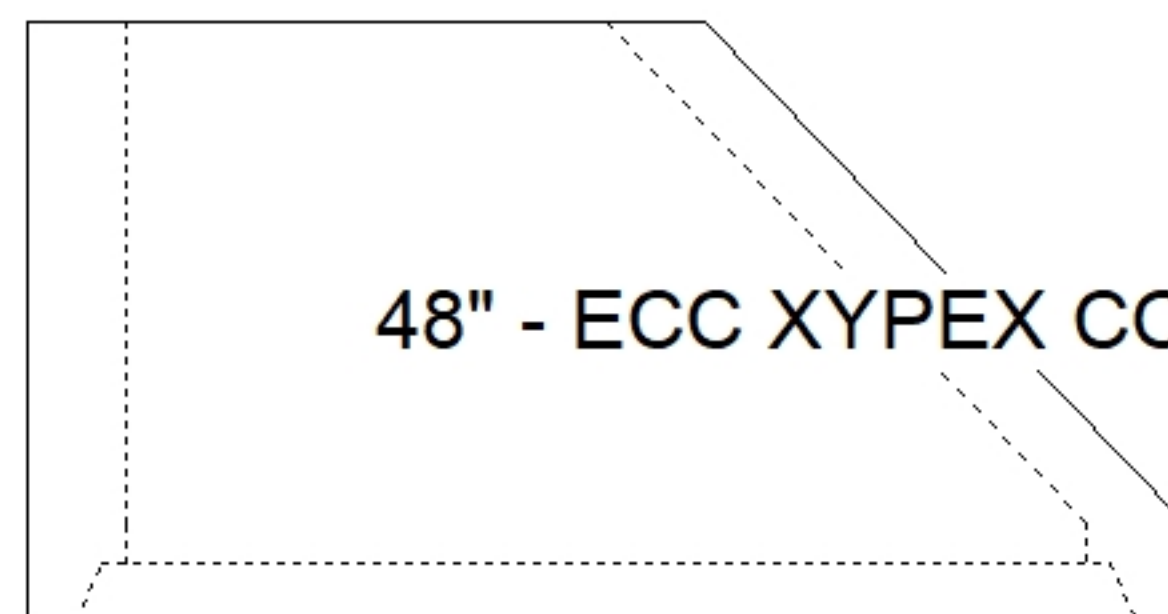
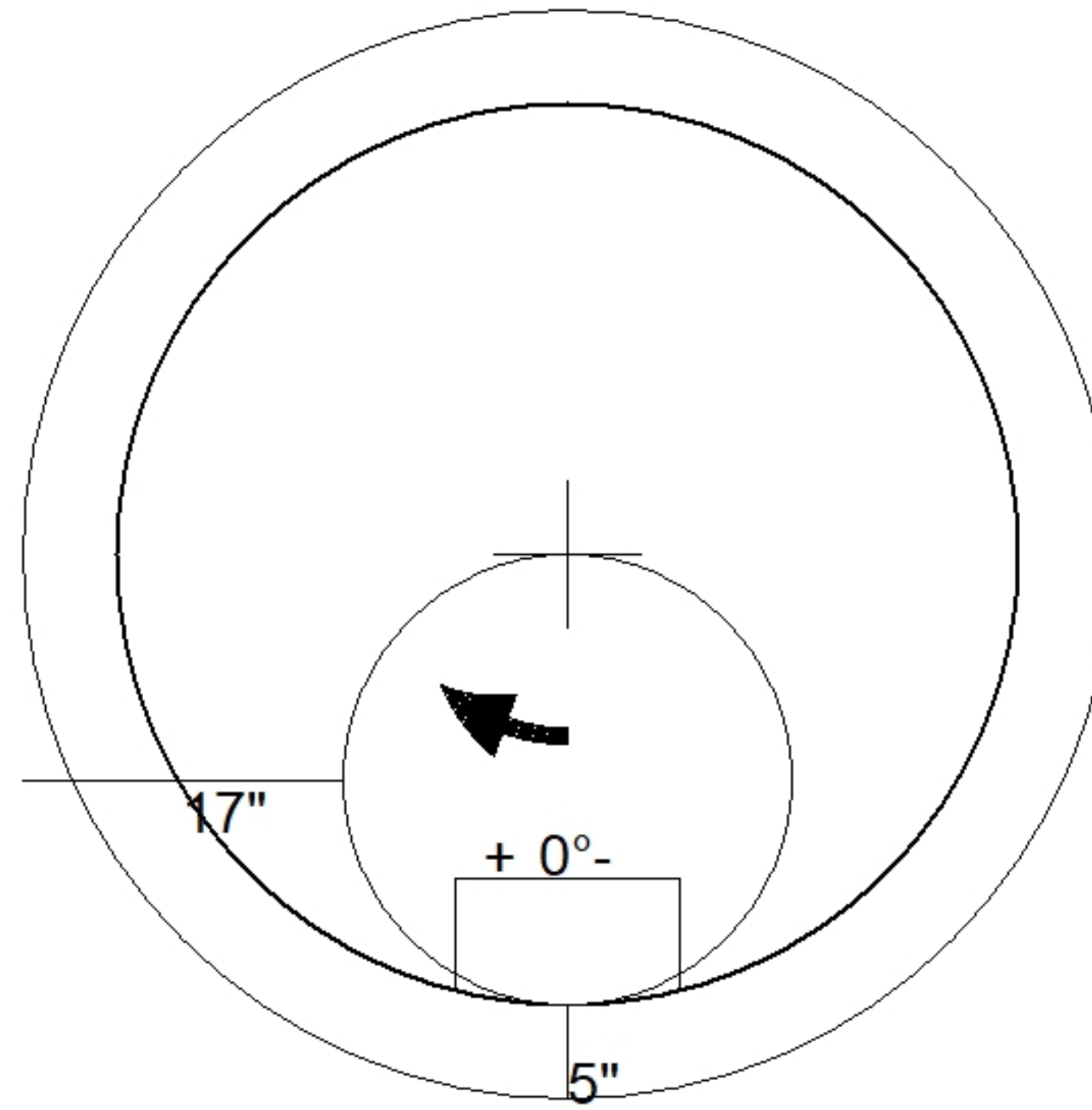
P2 MH048CN30X

ECC XYPEX CONE w/ 24" HOLE F/G

P4) 24" - CASTING HEIGHT - 7"	0 lb
P3) 24" - XYPEX GRADE RING F/F - 4"	270 lb
P2) 48" - ECC XYPEX CONE w/ 24" HOLE F/G - 30"	1981 lb
P1) 48" - MH BASE w/XYPEX T/n - 18"	2540 lb
1) 48" - SAN. INV. CHANNEL - FULL HEIGHT	1440 lb
1) JOINT WRAP - 0.065"x6"x50' CONSEAL CS212	0 lb
1) JOINT WRAP PRIMER - CONSEAL CS-75 (1 gal.)	0 lb
1) ADMIXTURE XYPEX C-500 NF RED	0 lb
1) CASTING - HOE MC-350 F/C Sanitary	305 lb
1) 48" - DBL 1"x14.5' Butyl (2x)	0 lb
1) PSX - 12-08 NYLO	8 lb
4) MH Step ML-10-TDS-NCR - 10"	0 lb
Structure Total:	6544 lb

Structure Notes:
 1. PER ASTM C478 SPECIFICATIONS.
 2. CONCRETE = 4,000 PSI AT 28 DAYS.
 3. CASTING SHIPPED LOOSE (HOE MC-350 F/C).

 REINFORCING PER ASTM A615 (GRADE 60).
 - CONE (As .12)
 - RISER/WALLS (As .12)
 - FLOOR (As .31) #5 BARS AT 12" C.C.E.W.



48" - ECC XYPEX CONE w/ 24" HOLE F/G - 30" - (P2)

Coating (Int):	Seam Up: Flat	Wall Thickness: 5"	Height (Ext): 30"	Weight (Net): 1981 lb
Coating (Ext):	Seam Dn: Groove			Volume (Net): 0.51cu.yd