

Job Name: 25-1511 Halfhill Estates Ph.2
 Job Location: Nicholasville, KY
 Contractor: Perdue Environmental Contracting Co., Inc.

Plant: Beaver Dam
 11/11/2025 4:05:06 PM

Tech: J. Horsley
 PC: T. Ryan



Structure ID: MH E-1

P1 MH048BA36X

MH BASE w/XYPEX T/n

- P4) 24" - CASTING HEIGHT - 7"
- P3) 24" - XYPEX GRADE RING F/F - 6"
- P2) 48" - ECC XYPEX CONE w/ 24" HOLE F/G - 42"
- P1) 48" - MH BASE w/XYPEX T/n - 36"
- 1) 48" - SAN. INV. CHANNEL - FULL HEIGHT
- 1) JOINT WRAP - 0.065"x6"x50' CONSEAL CS212
- 1) JOINT WRAP PRIMER - CONSEAL CS-75 (1 gal.)
- 1) ADMIXTURE XYPEX C-500 NF RED
- 1) CASTING - HOE MC-350 F/C Sanitary
- 1) 48" - DBL 1"x14.5' Butyl (2x)
- 2) PSX - 12-08 NYLO
- 7) MH Step ML-10-TDS-NCR - 10"

0 lb
 405 lb
 3116 lb
 3749 lb
 1440 lb
 0 lb
 0 lb
 0 lb
 305 lb
 0 lb
 16 lb
 0 lb

 Structure Total: 9032 lb

Structure Notes:
 1. PER ASTM C478 SPECIFICATIONS.
 2. CONCRETE = 4,000 PSI AT 28 DAYS.
 3. CASTING SHIPPED LOOSE (HOE MC-350 F/C).

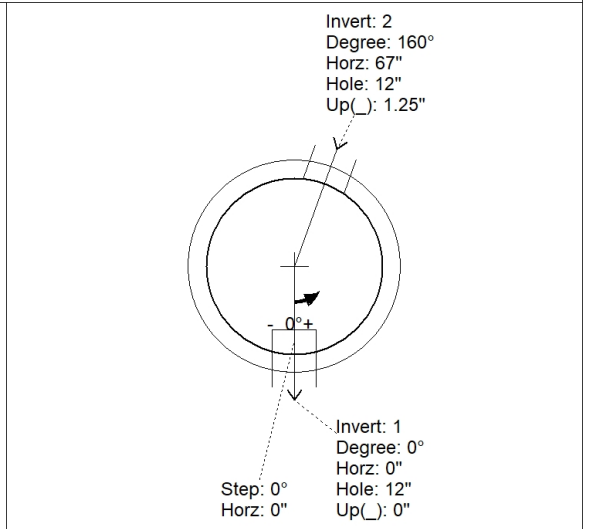
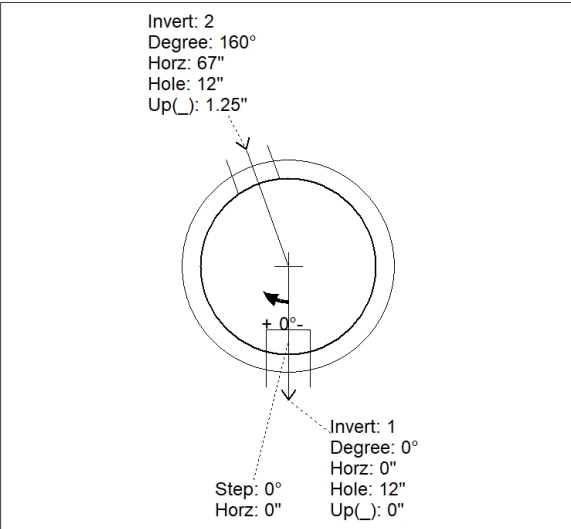
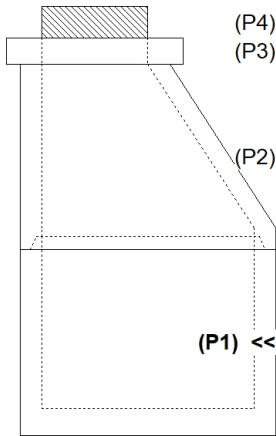
 REINFORCING PER ASTM A615 (GRADE 60).
 - CONE (As .12)
 - RISER/WALLS (As .12)
 - FLOOR (As .31) #5 BARS AT 12" C.C.E.W.

Rim: 884.3' Rim to Invert: 7.52' Slack: 1.24" Sump: 2" Step Position: 0°

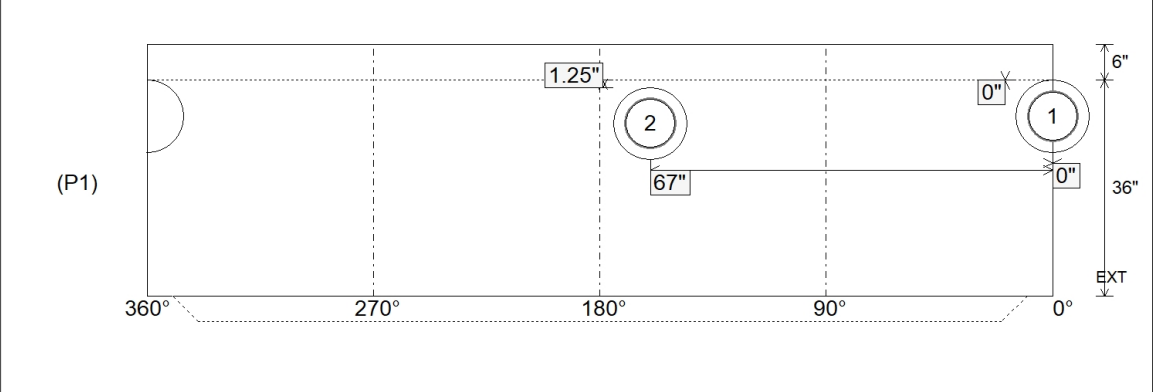
Position	Elev	Angle	Ext. (cw)	Pipe	Pipe OD	Connector	Hole	Horz Size	Up ()	Offset
Invert 1	876.78'	0°	0"	8" PVC SDR35	8.5"	PSX 12-08 NYLO	12"	12.129"	0"	0"
Invert 2	876.88'	160°	81"	8" PVC SDR35	8.5"	PSX 12-08 NYLO	12"	12.129"	1.25"	0"
Invert 3										
Invert 4										
Invert 5										
Invert 6										
Invert 7										
Invert 8										

RIGHT-SIDE UP VIEW (int. dimensions)

UPSIDE-DOWN VIEW (int. dimensions)



INSIDE WALL DIMENSIONS



Coating (Int): Coating (Ext):	Seam Up: Tongue Seam Dn: n/a	Wall Thickness: 5" Floor Height: 6"	Height (Int): 36" Height (Ext): 42"	Weight (Net): 3749 lb Volume (Net): 0.96cu.yd
----------------------------------	---------------------------------	--	--	--

Job Name: 25-1511 Halfhill Estates Ph.2
 Job Location: Nicholasville, KY
 Contractor: Perdue Environmental Contracting Co., Inc.

Plant: Beaver Dam

Tech: J. Horsley

11/11/2025 4:05:06 PM

PC: T. Ryan



Structure ID: MH E-1

P1A MH048BA36X

MH BASE w/XYPEX T/n

- P4) 24" - CASTING HEIGHT - 7"
- P3) 24" - XYPEX GRADE RING F/F - 6"
- P2) 48" - ECC XYPEX CONE w/ 24" HOLE F/G - 42"
- P1) 48" - MH BASE w/XYPEX T/n - 36"
- 1) 48" - SAN. INV. CHANNEL - FULL HEIGHT
- 1) JOINT WRAP - 0.065"x6"x50' CONSEAL CS212
- 1) JOINT WRAP PRIMER - CONSEAL CS-75 (1 gal.)
- 1) ADMIXTURE XYPEX C-500 NF RED
- 1) CASTING - HOE MC-350 F/C Sanitary
- 1) 48" - DBL 1"x14.5' Butyl (2x)
- 2) PSX - 12-08 NYLO
- 7) MH Step ML-10-TDS-NCR - 10"

0 lb
 405 lb
 3116 lb
 3749 lb
 1440 lb
 0 lb
 0 lb
 0 lb
 305 lb
 0 lb
 16 lb
 0 lb

 Structure Total: 9032 lb

Structure Notes:

1. PER ASTM C478 SPECIFICATIONS.
2. CONCRETE = 4,000 PSI AT 28 DAYS.
3. CASTING SHIPPED LOOSE (HOE MC-350 F/C).

REINFORCING PER ASTM A615 (GRADE 60).

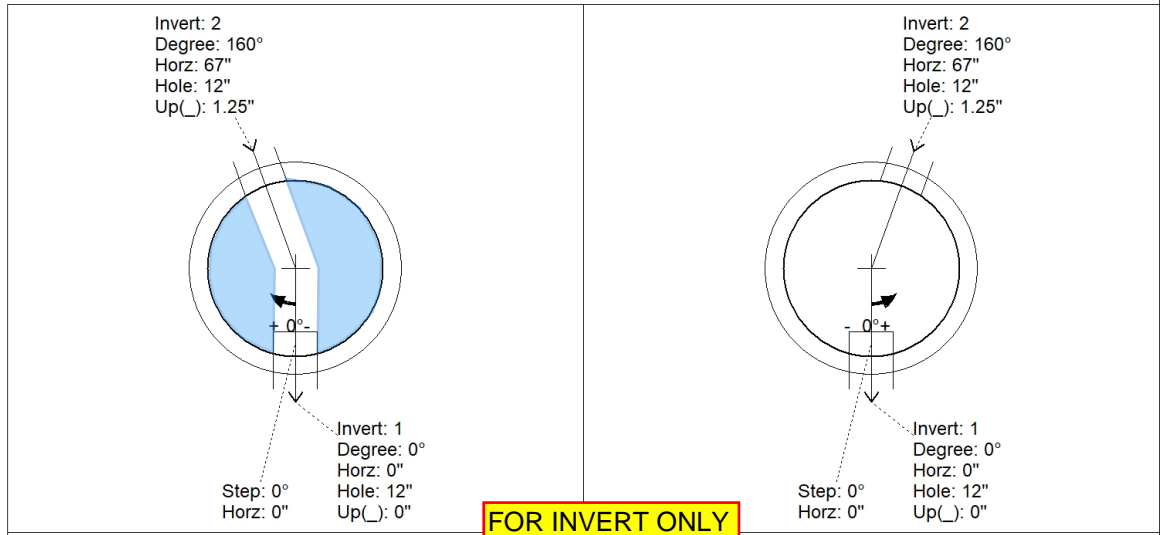
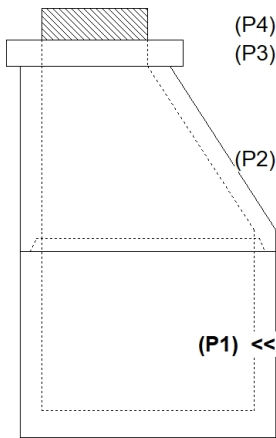
- CONE (As .12)
- RISER/WALLS (As .12)
- FLOOR (As .31) #5 BARS AT 12" C.C.E.W.

Rim: 884.3' Rim to Invert: 7.52' Slack: 1.24" Sump: 2" Step Position: 0°

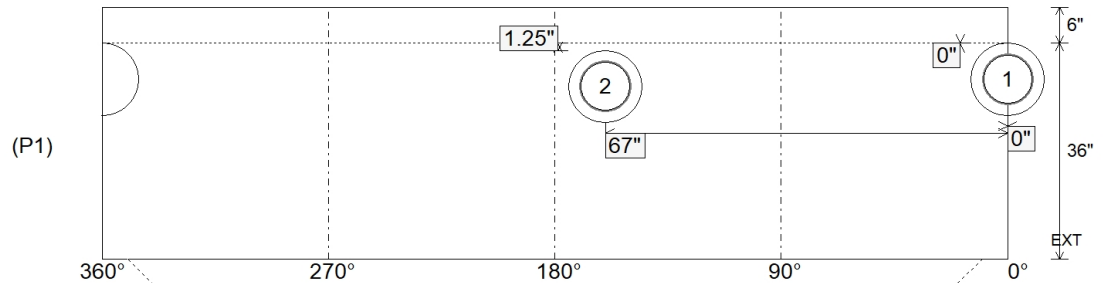
Position	Elev	Angle	Ext. (cw)	Pipe	Pipe OD	Connector	Hole	Horz Size	Up ()	Offset
Invert 1	876.78'	0°	0"	8" PVC SDR35	8.5"	PSX 12-08 NYLO	12"	12.129"	0"	0"
Invert 2	876.88'	160°	81"	8" PVC SDR35	8.5"	PSX 12-08 NYLO	12"	12.129"	1.25"	0"
Invert 3										
Invert 4										
Invert 5										
Invert 6										
Invert 7										
Invert 8										

RIGHT-SIDE UP VIEW (int. dimensions)

UPSIDE-DOWN VIEW (int. dimensions)



INSIDE WALL DIMENSIONS



Coating (Int):
 Coating (Ext):

Seam Up: Tongue
 Seam Dn: n/a

Wall Thickness: 5"
 Floor Height: 6"

Height (Int): 36"
 Height (Ext): 42"

Weight (Net): 3749 lb
 Volume (Net): 0.96cu.yd