

Structure ID: MH A-9

P2 MH048RS24X

MH RISER w/XYPEX T/G

P4) 24" - CASTING HEIGHT - 7" P3) 48" - ECC XYPEX CONE w/ 24" HOLE F/G - 36" P2) 48" - MH RISER w/XYPEX T/G - 24" P1) 48" - MH BASE w/XYPEX T/n - 42" 1) 48" - SAN. INV. CHANNEL - FULL HEIGHT 1) JOINT WRAP - 0.065"x6"x50' CONSEAL CS212 1) JOINT WRAP PRIMER - CONSEAL CS-75 (1 gal.) 1) ADMIXTURE XYPEX C-500 NF RED 1) CASTING - HOE MC-350 F/C Sanitary 2) 48" - DBL 1"x14.5' Butyl (2x) 3) PSX - 12-08 NYLO 8) MH Step ML-10-TDS-NCR - 10"	0 lb 2251 lb 1677 lb 4121 lb 1440 lb 0 lb 0 lb 0 lb 0 lb 305 lb 0 lb 24 lb 0 lb ----- Structure Total: 9817 lb
--	--

Structure Notes:

1. PER ASTM C478 SPECIFICATIONS.
2. CONCRETE = 4,000 PSI AT 28 DAYS.
3. CASTING SHIPPED LOOSE (HOE MC-350 F/C).
4. SWEEP INVERT

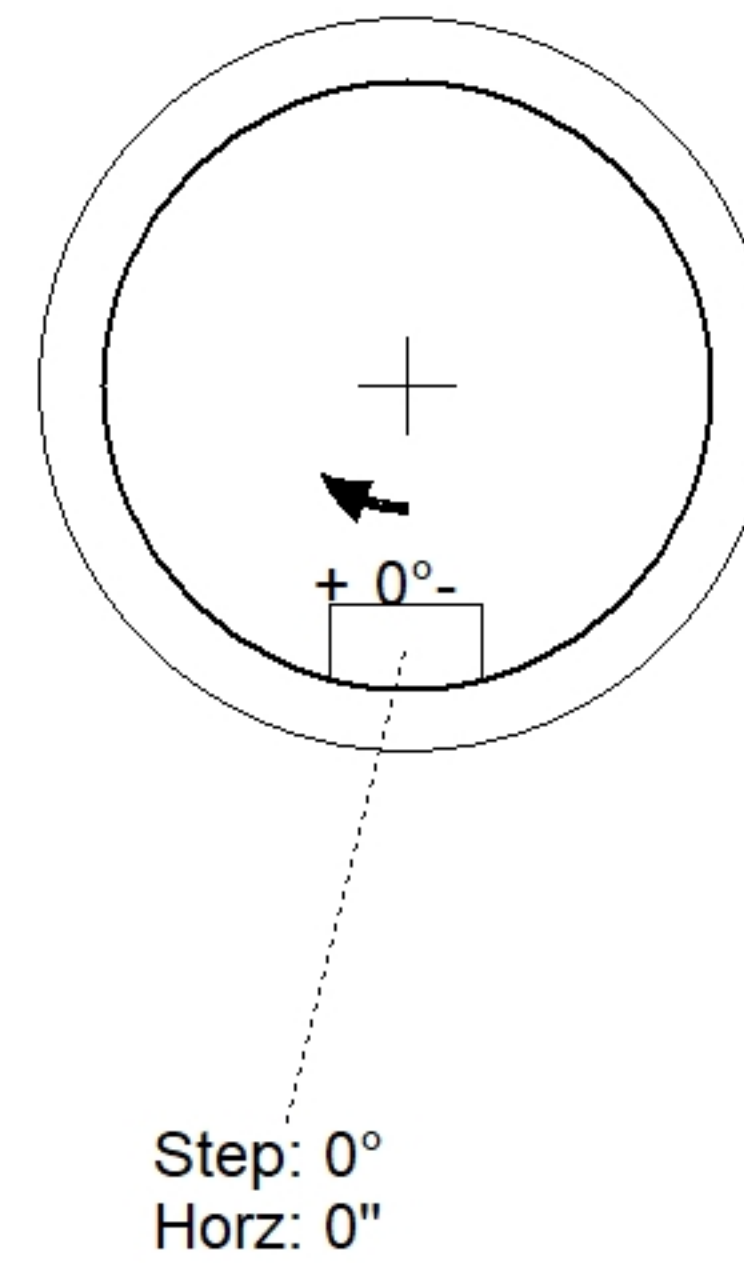
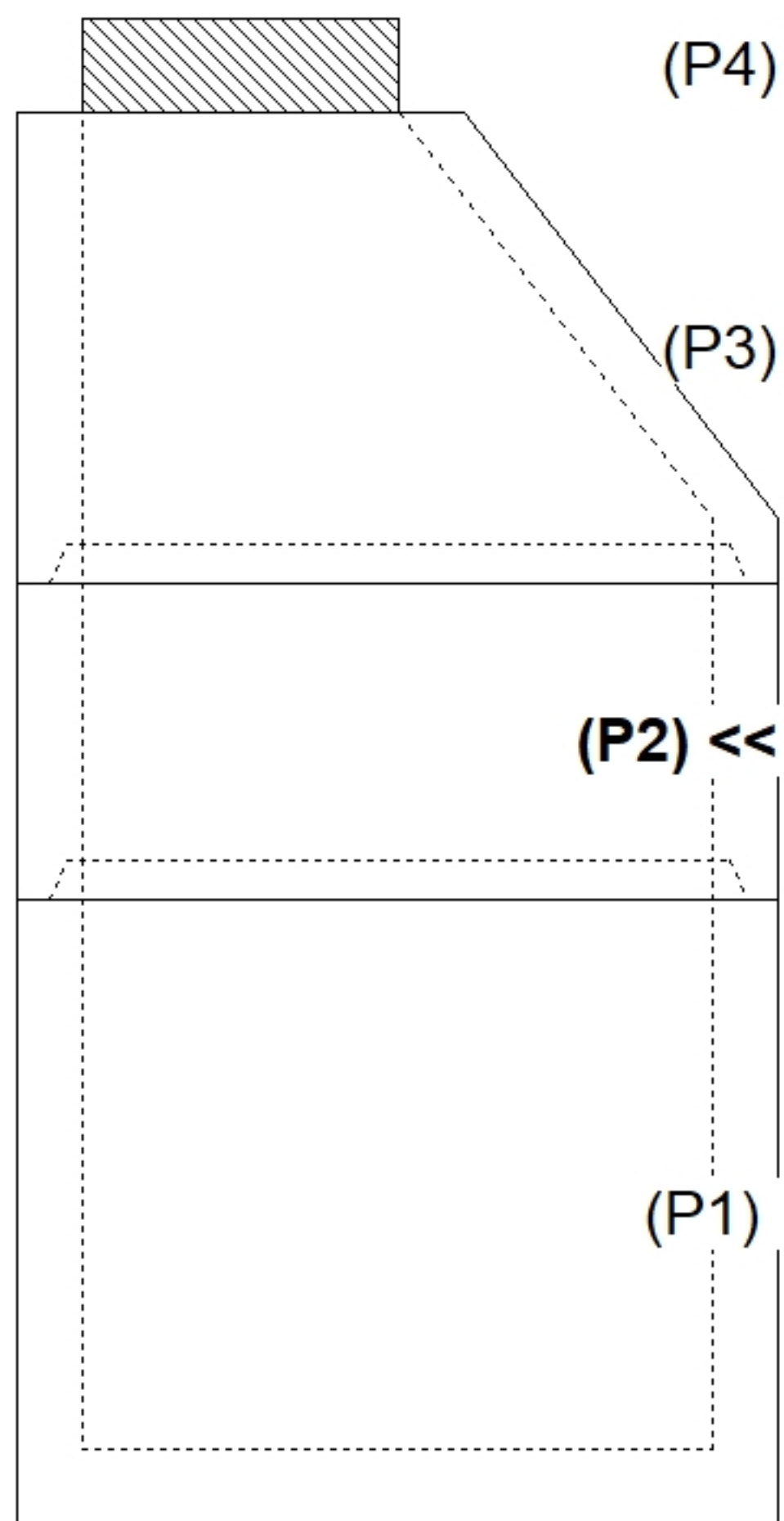
REINFORCING PER ASTM A615 (GRADE 60).

- CONE (As .12)
- RISER/WALLS (As .12)
- FLOOR (As .31) #5 BARS AT 12" C.C.E.W.

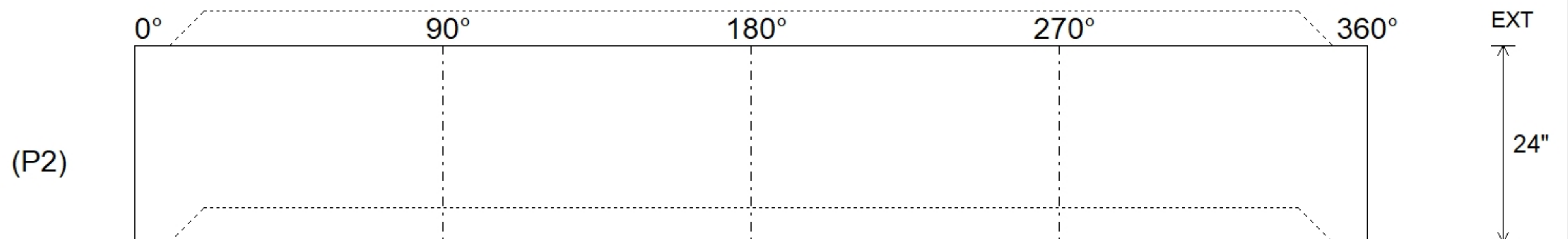
Rim: 885.19' Rim to Invert: 9.09' Slack: 2.08" Sump: 2" Step Position: 0°

Position	Elev	Angle	Ext. (cw)	Pipe	Pipe OD	Connector	Hole	Horz Size	Up (L)	Offset
Invert 1										
Invert 2										
Invert 3										
Invert 4										
Invert 5										
Invert 6										
Invert 7										
Invert 8										

RIGHT-SIDE UP VIEW (int. dimensions)



INSIDE WALL DIMENSIONS



Coating (Int):	Seam Up: Tongue	Wall Thickness: 5"	Height (Int): 24"
Coating (Ext):	Seam Dn: Groove	Floor Height: 0"	Height (Ext): 24"
		Weight (Net): 1677 lb	
		Volume (Net): 0.43cu.yd	