

Structure ID: CBI-406

P1 BX2436-08BVF BOX BASE 8inW, 8inF, Variable Ht F/n

P4) 24" x 120" - CB INLET KY A 10' TOP LEFT F/G - 10"	3400 lb
P3) 24" x 120" - CB INLET KY A 10' BOTTOM LEFT T/G - 18"	5270 lb
P2) 24" x 36" - FIELD ADJUSTMENT - 3"	0 lb
P1) 24" x 36" - BOX BASE 8inW, 8inF, Variable Ht F/n - 23"	3532 lb
1) CASTING - HOE KY-206 F/C (KY TY1)	206 lb
2) 24" x 36" - Conseal CS-102 1.00"	0 lb
1) Hole - 20	0 lb
Structure Total:	12408 lb

Structure Notes:
 ** KYTC STATE PROJECT **
 1. PER KYTC CBI TYPE A / ASTM C913 SPEC'S.
 2. CONCRETE = 4,000 PI AT 28 DAYS.
 3. NO INVERT CHANNEL.

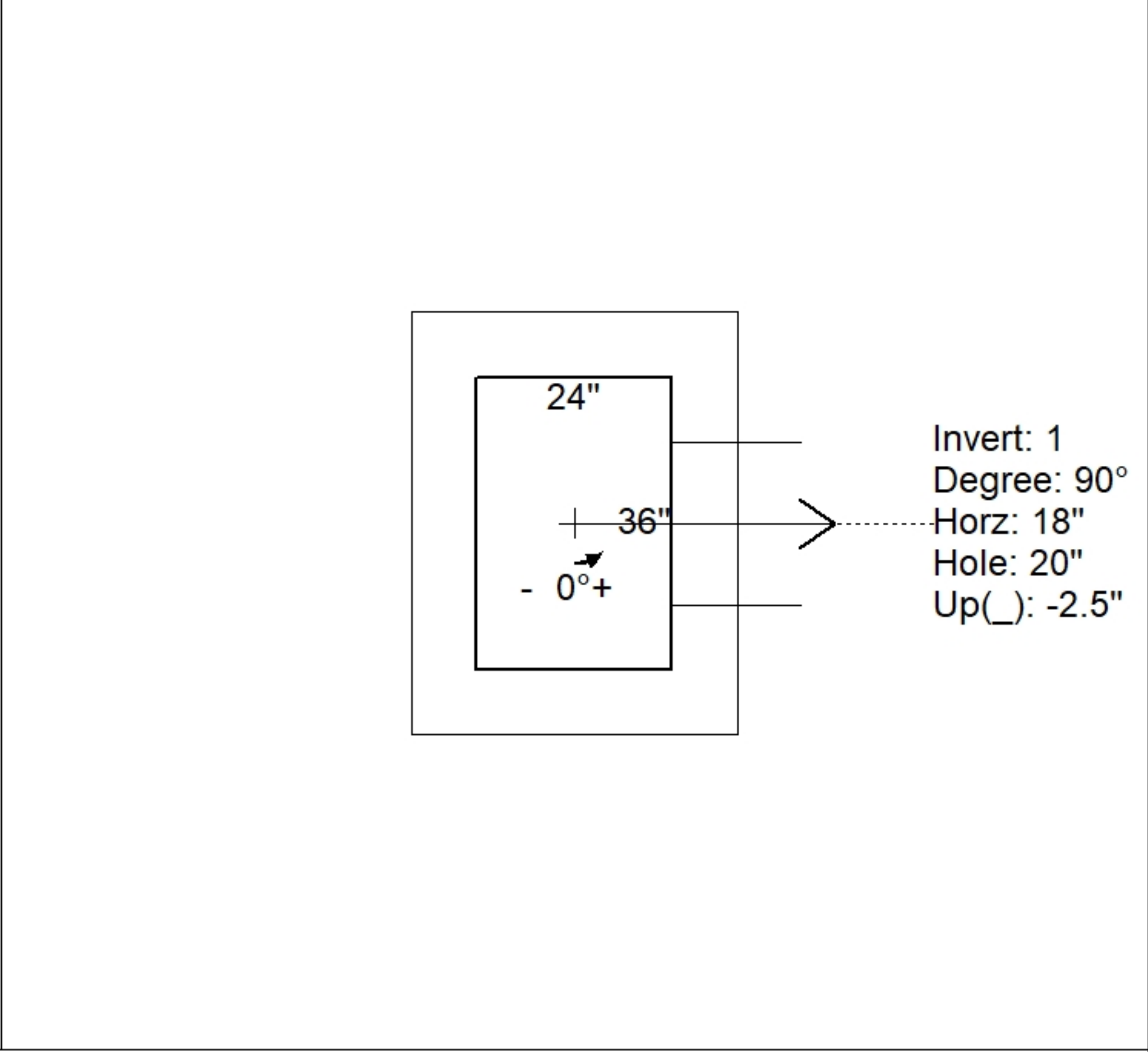
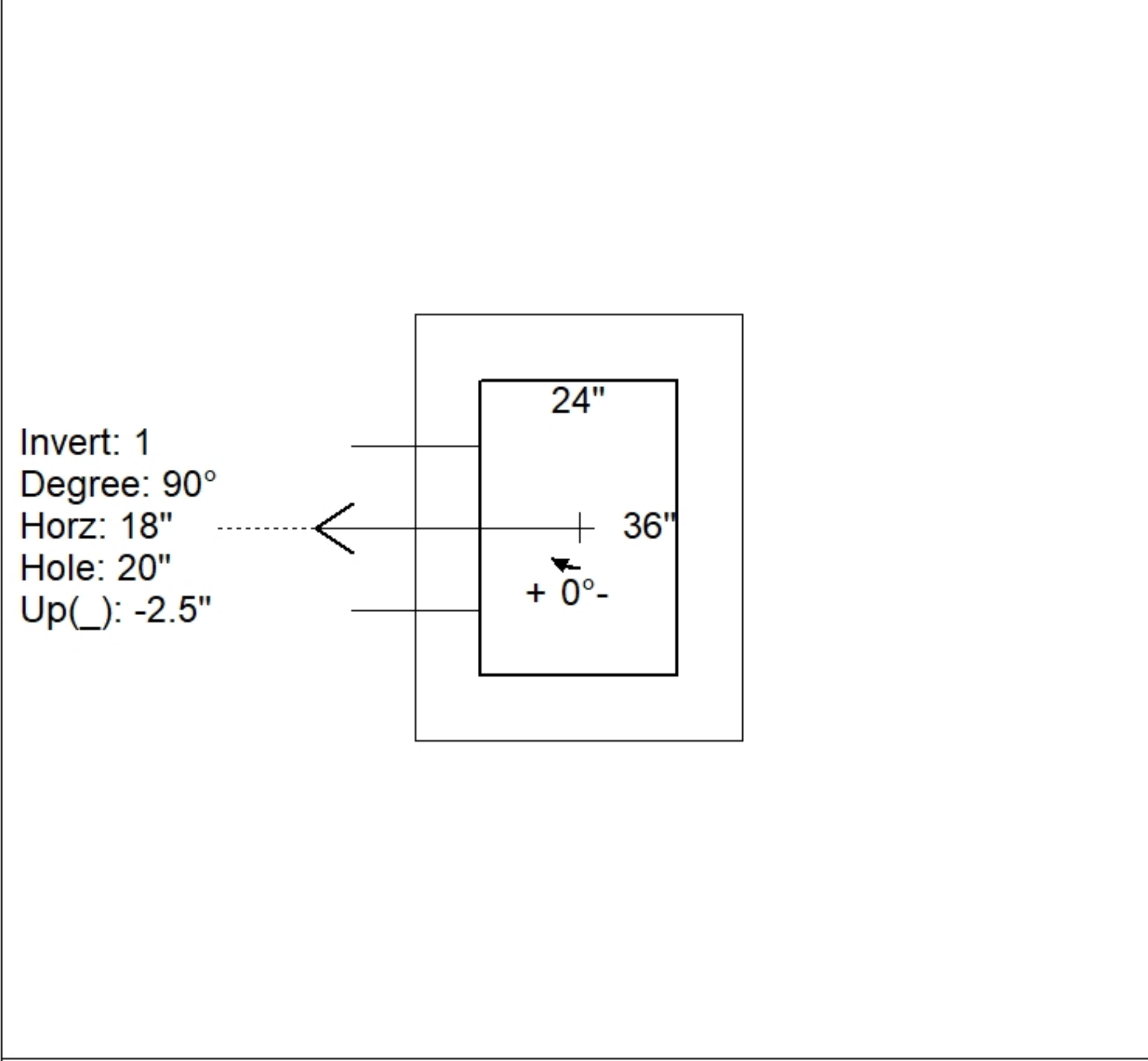
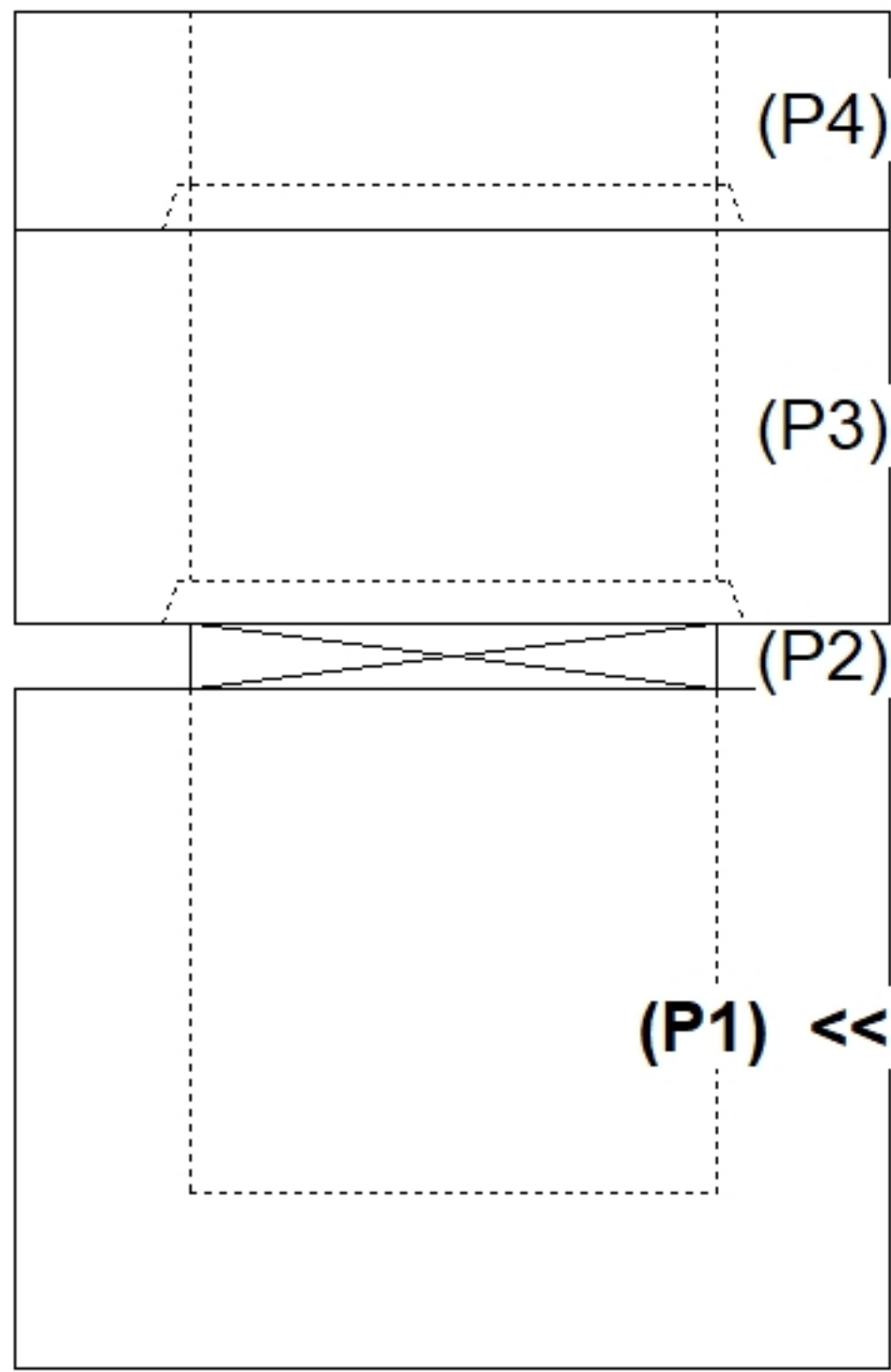
REINFORCING PER ASTM A615 (GRADE 60).
 - TOP PHASE (As .62) #5 BARS AT 6" C.C.E.W.
 - WALLS (As .31) #5 BARS AT 12" C.C.E.W.
 - FLOOR (As .31) #5 BARS AT 12" C.C.E.W.

Rim: 892.14' Rim to Invert: 4.51' Slack: 0.12" Sump: 0" Step Position:

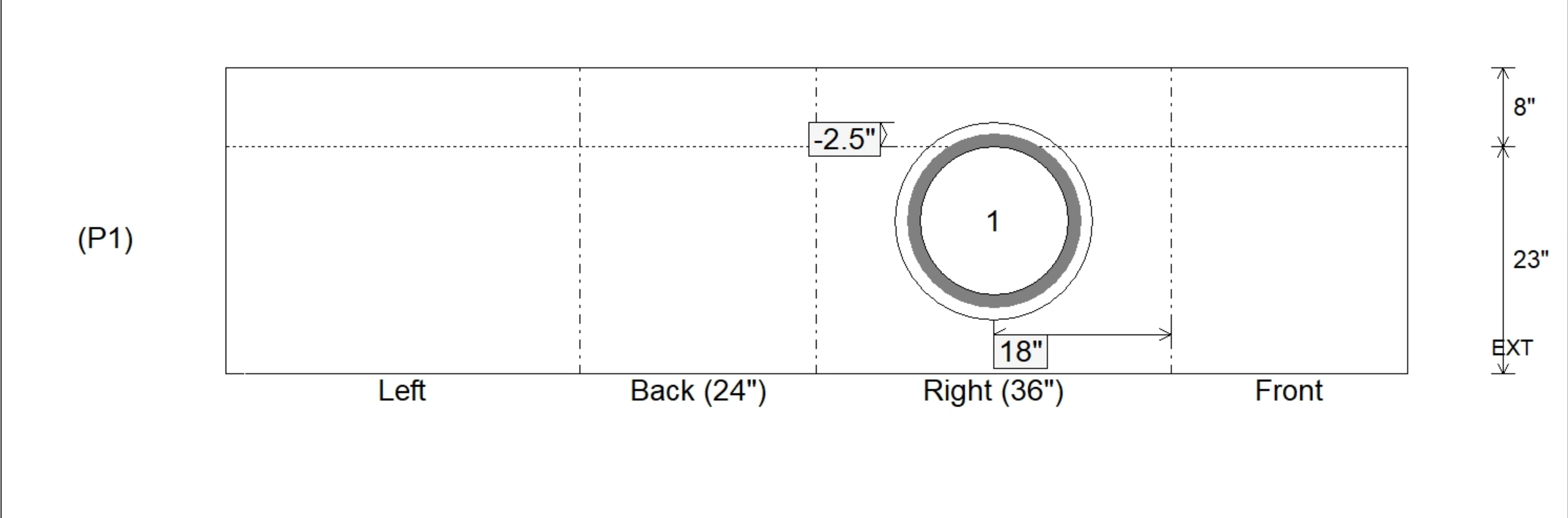
Position	Elev	Angle	Ext. (cw)	Pipe	Pipe OD	Connector	Hole	Horz Size	Up ()	Offset
Invert 1	887.63'	90°	26"	15" HDPE	17.6"	Hole 20	20"	20"	-2.5"	0"
Invert 2										
Invert 3										
Invert 4										
Invert 5										
Invert 6										
Invert 7										
Invert 8										

RIGHT-SIDE UP VIEW (int. dimensions)

UPSIDE-DOWN VIEW (int. dimensions)



INSIDE WALL DIMENSIONS



Coating (Int): Coating (Ext):	Seam Up: Flat Seam Dn: n/a	Wall Thickness: 8" Floor Height: 8"	Height (Int): 23" Height (Ext): 31"	Weight (Net): 3532 lb Volume (Net): 0.9cu.yd
----------------------------------	-------------------------------	--	--	---