

Structure ID: CBI-405

P1 BX2436-08BVF

BOX BASE 8inW, 8inF, Variable Ht T/n

P3) 24" x 120" - CB INLET KY A 10' TOP LEFT F/G - 10" P2) 24" x 120" - CB INLET KY A 10' BOTTOM LEFT T/G - 18" P1) 24" x 36" - BOX BASE 8inW, 8inF, Variable Ht T/n - 34" 1) CASTING - HOE KY-206 F/C (KY TY1) 1) 24" x 36" - Conseal CS-102 1.00" 1) Hole - 24 1) Hole - 20 1) DOGHOUSE INVRTD - 20"x20"	3400 lb 5270 lb 4112 lb 206 lb 0 lb 0 lb 0 lb 0 lb	Structure Total: 12988 lb
--	---	---------------------------

Structure Notes:
 ** KYTC STATE PROJECT **
 1. PER KYTC CBI TYPE A / ASTM C913 SPEC'S.
 2. CONCRETE = 4,000 PI AT 28 DAYS.
 3. NO INVERT CHANNEL.

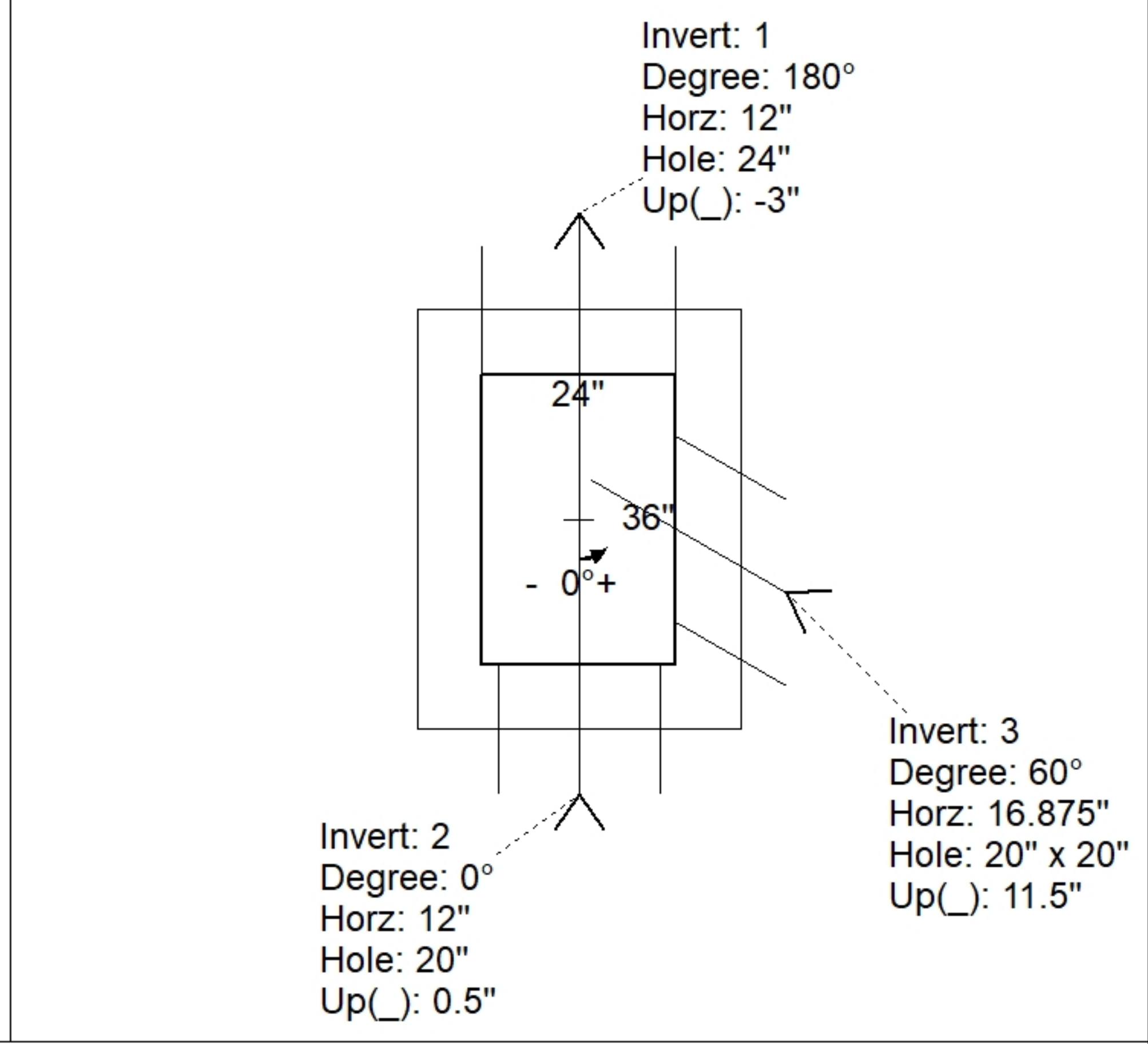
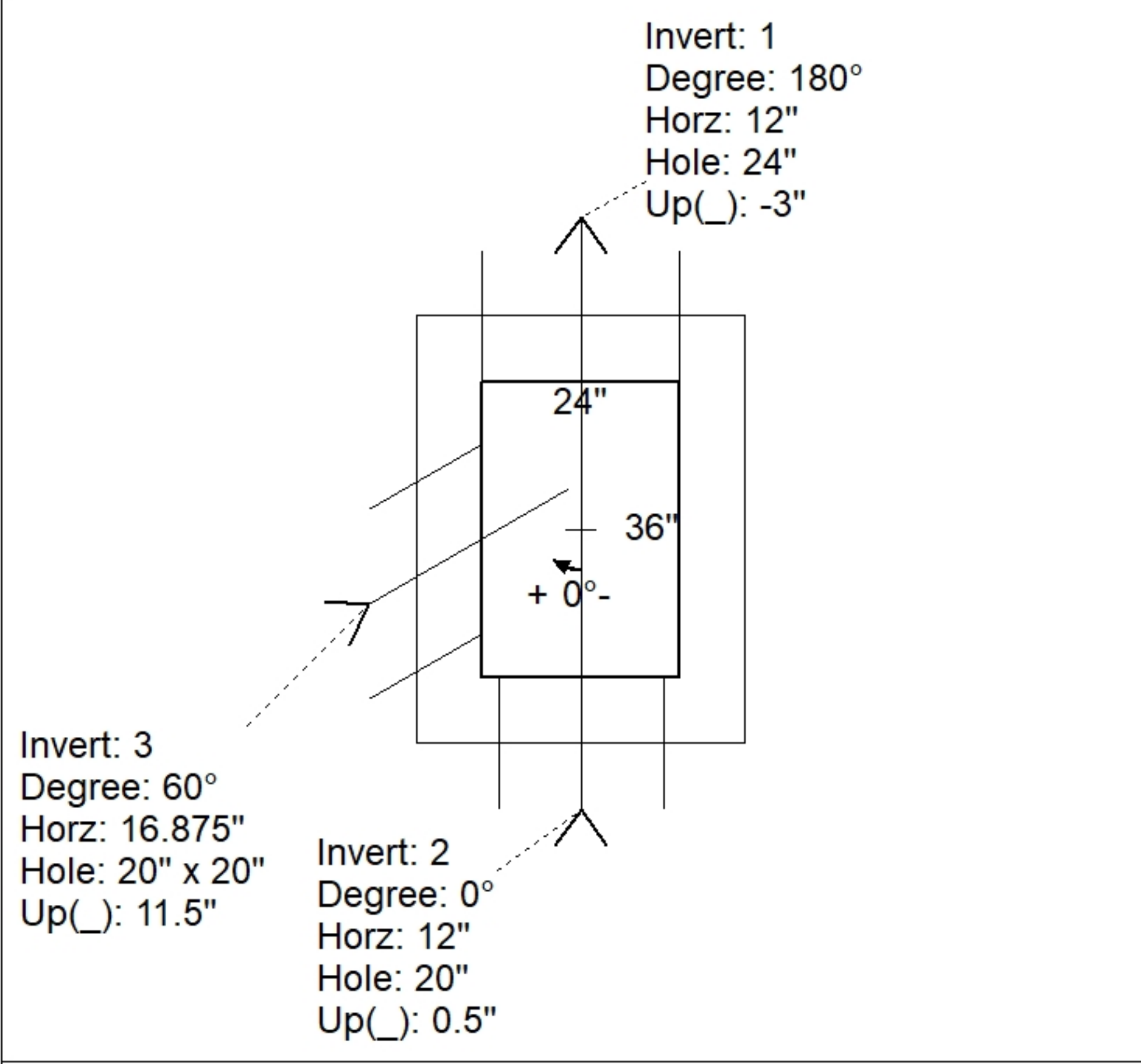
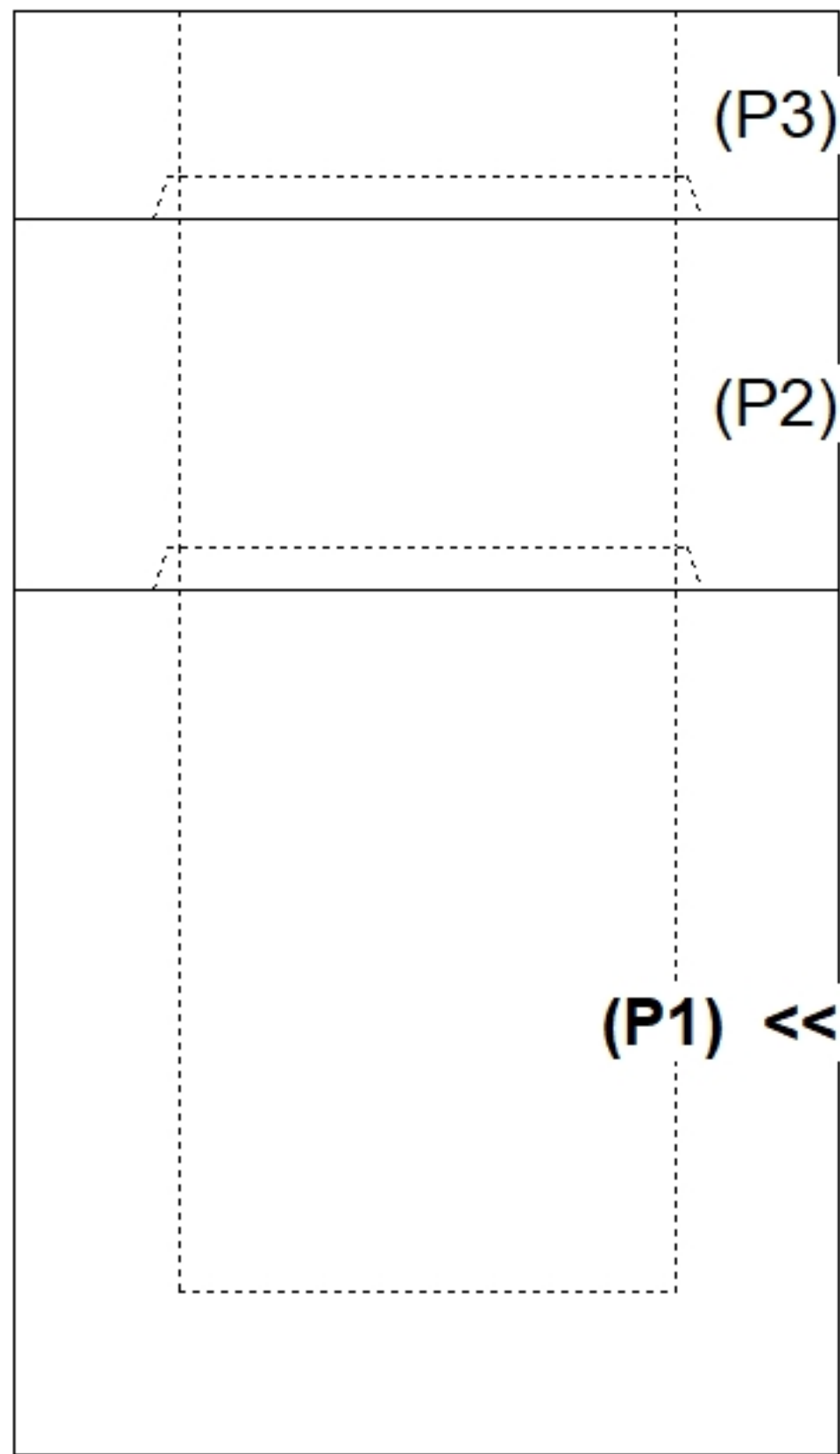
REINFORCING PER ASTM A615 (GRADE 60).
 - TOP PHASE (As .62) #5 BARS AT 6" C.C.E.W.
 - WALLS (As .31) #5 BARS AT 12" C.C.E.W.
 - FLOOR (As .31) #5 BARS AT 12" C.C.E.W.

Rim: 890.99' Rim to Invert: 5.2' Slack: 0.4" Sump: 0" Step Position:

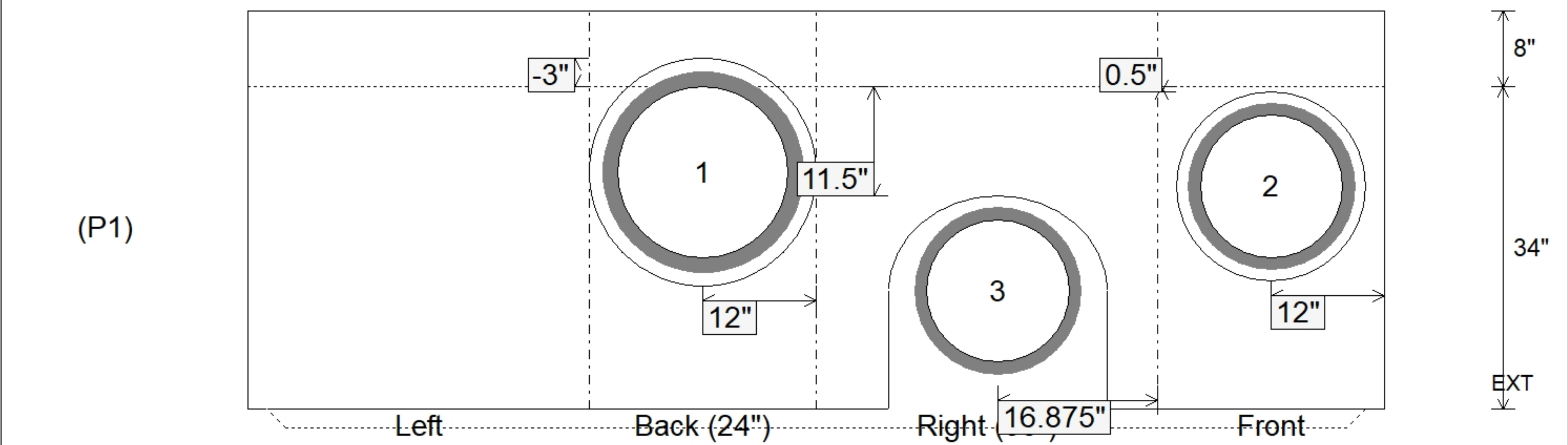
Position	Elev	Angle	Ext. (cw)	Pipe	Pipe OD	Connector	Hole	Horz Size	Up ()	Offset
Invert 1	885.79'	180°	20"	18" HDPE	21.2"	Hole 24	24"	24"	-3"	0"
Invert 2	886.04'	0°	20"	15" HDPE	17.6"	Hole 20	20"	20"	0.5"	0"
Invert 3	886.96'	60°	20.25"	15" HDPE	17.6"	DOGHOUSE INVRTD 20"x20"	20" x 20"	23.094"	11.5"	5"
Invert 4										
Invert 5										
Invert 6										
Invert 7										
Invert 8										

RIGHT-SIDE UP VIEW (int. dimensions)

UPSIDE-DOWN VIEW (int. dimensions)



INSIDE WALL DIMENSIONS



Coating (Int): Coating (Ext):	Seam Up: Tongue Seam Dn: n/a	Wall Thickness: 8" Floor Height: 8"	Height (Int): 34" Height (Ext): 42"	Weight (Net): 4112 lb Volume (Net): 1.05cu.yd
----------------------------------	---------------------------------	--	--	--