

Job Name: 25-1511 Halfhill Estates Ph.2
Job Location: Nicholasville, KY
Contractor: Perdue Environmental Contracting Co., Inc.

PC: T. Ryan
 TECH: J. Horsley
 Plant: Beaver Dam



Structure ID: **CBI-404**
 Spec: KYTC
 Type: CBI TYPE A (10')
 Size: 24" x 36"

Rim: 885.21'
 Invert: 880.67'
 Rim to Invert: 4.54'

Sump: 0"
 Floor (Top): 880.67'
 Floor Height: 8"

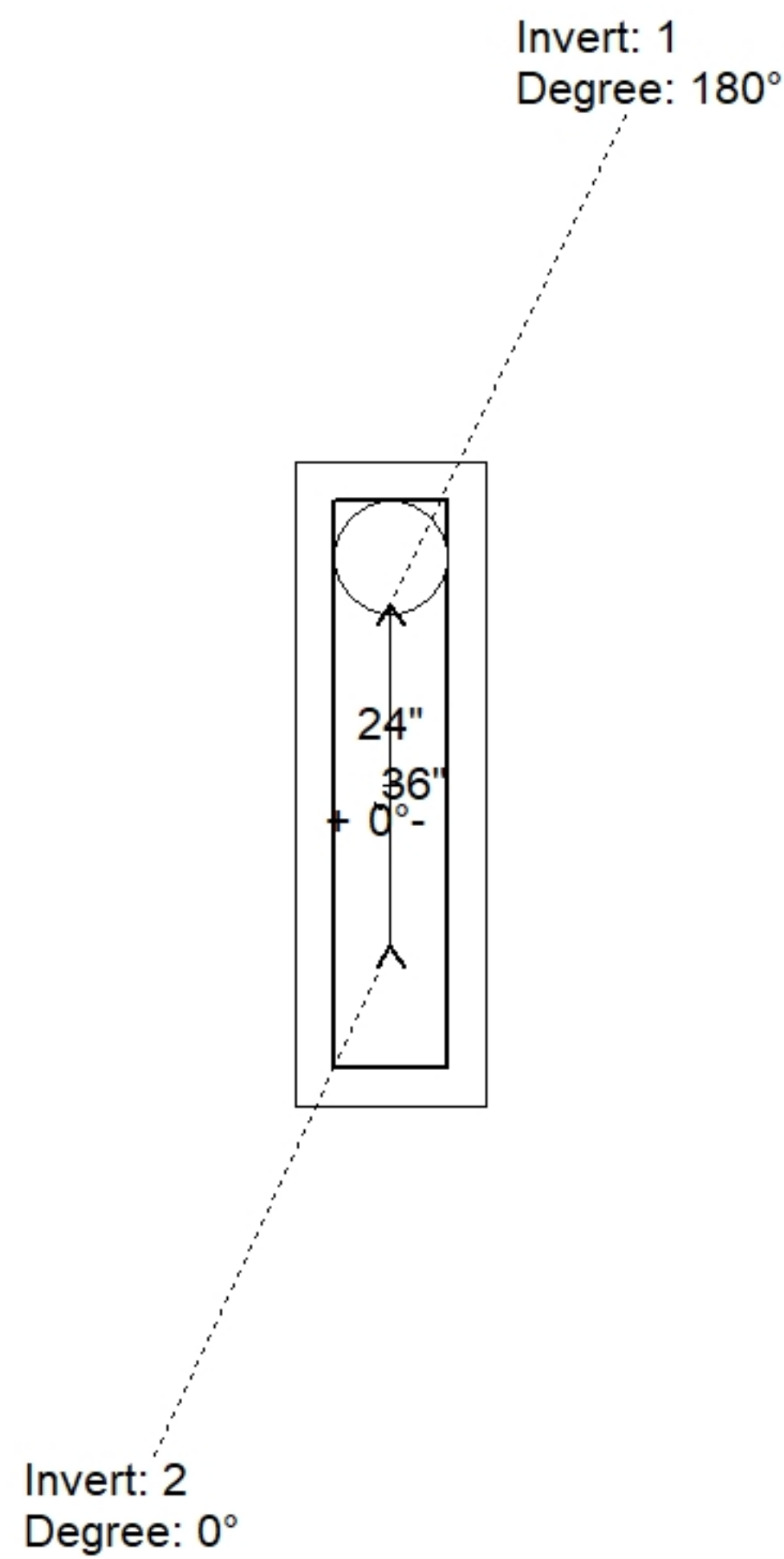
Floor (Bot): 880.003'
 Overall Height: 5.167'
 Slack: 0.48"

Structure Notes:

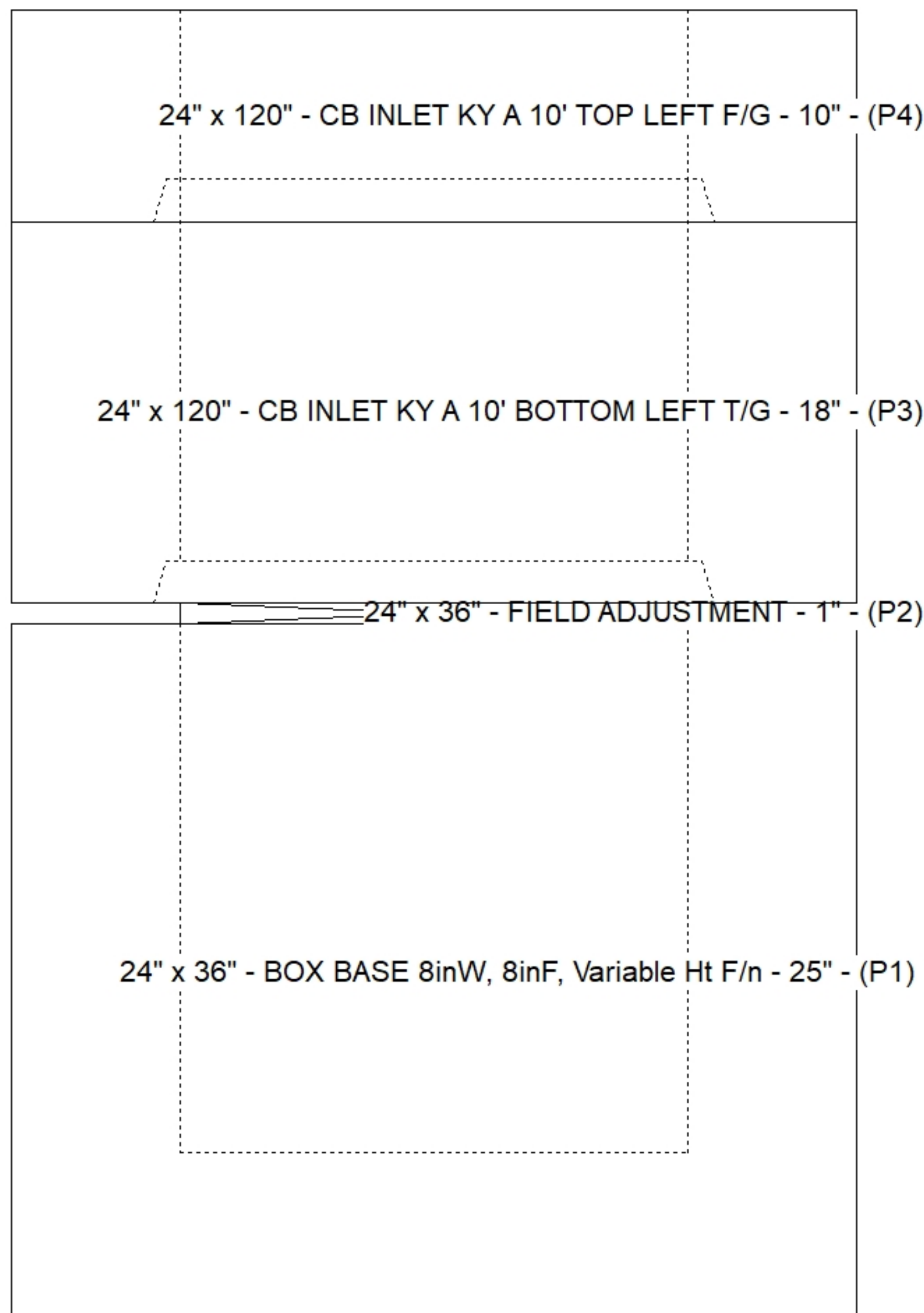
- ** KYTC STATE PROJECT **
1. PER KYTC CBI TYPE A / ASTM C913 SPEC'S.
 2. CONCRETE = 4,000 PI AT 28 DAYS.
 3. NO INVERT CHANNEL.
- REINFORCING PER ASTM A615 (GRADE 60).
 - TOP PHASE (As .62) #5 BARS AT 6" C.C.E.W.
 - WALLS (As .31) #5 BARS AT 12" C.C.E.W.
 - FLOOR (As .31) #5 BARS AT 12" C.C.E.W.

STRUCTURE SUMMARY:

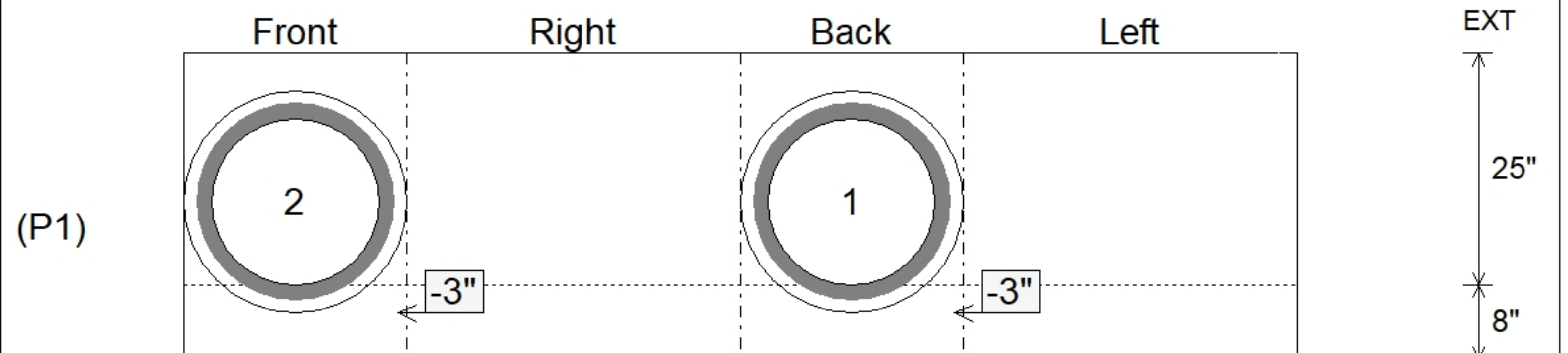
P4) 24" x 120" - CB INLET KY A 10' TOP LEFT F/G - 10"	3400 lb
P3) 24" x 120" - CB INLET KY A 10' BOTTOM LEFT T/G - 18"	5270 lb
P2) 24" x 36" - FIELD ADJUSTMENT - 1"	0 lb
P1) 24" x 36" - BOX BASE 8inW, 8inF, Variable Ht F/n - 25"	3492 lb
1) CASTING - HOE KY-206 F/C (KY TY1)	206 lb
2) 24" x 36" - Conseal CS-102 1.00"	0 lb
2) Hole - 24"	0 lb
Structure Total:	12367 lb



Position	Elev	Angle	Pipe	Pipe OD	Hole	Connector	Up ()	Ref
Rim	885.21'							
Reducer								
Invert 1	880.67'	180°	18" HDPE	21.2"	24"	Hole 24	-3"	P1
Invert 2	880.67'	0°	18" HDPE	21.2"	24"	Hole 24	-3"	P1
Invert 3								
Invert 4								
Invert 5								
Invert 6								
Invert 7								
Invert 8								



Cast (Int. Dim.) - Interior Dimensions



Submittal Drawing
 11/11/2025 4:04:13 PM

SUBMITTAL
 APPROVED BY: