

Structure ID: CBI-404

P1 BX2436-08BVF

BOX BASE 8inW, 8inF, Variable Ht F/n

P4) 24" x 120" - CB INLET KY A 10' TOP LEFT F/G - 10" P3) 24" x 120" - CB INLET KY A 10' BOTTOM LEFT T/G - 18" P2) 24" x 36" - FIELD ADJUSTMENT - 1" P1) 24" x 36" - BOX BASE 8inW, 8inF, Variable Ht F/n - 25" 1) CASTING - HOE KY-206 F/C (KY TY1) 2) 24" x 36" - Conseal CS-102 1.00" 2) Hole - 24	3400 lb 5270 lb 0 lb 3492 lb 206 lb 0 lb 0 lb	
Structure Total:	12367 lb	

Structure Notes:
 ** KYTC STATE PROJECT **
 1. PER KYTC CBI TYPE A / ASTM C913 SPEC'S.
 2. CONCRETE = 4,000 PI AT 28 DAYS.
 3. NO INVERT CHANNEL.

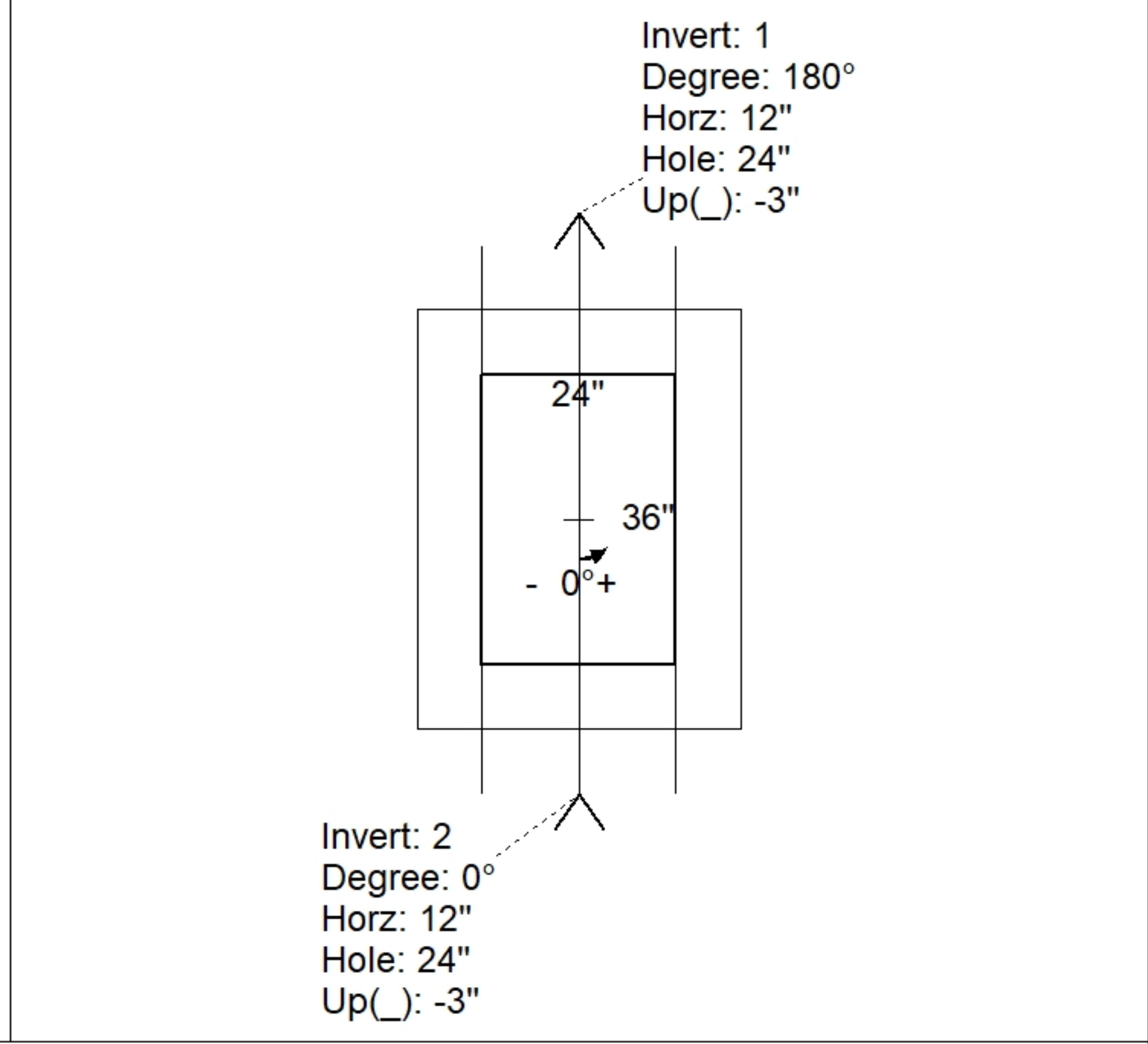
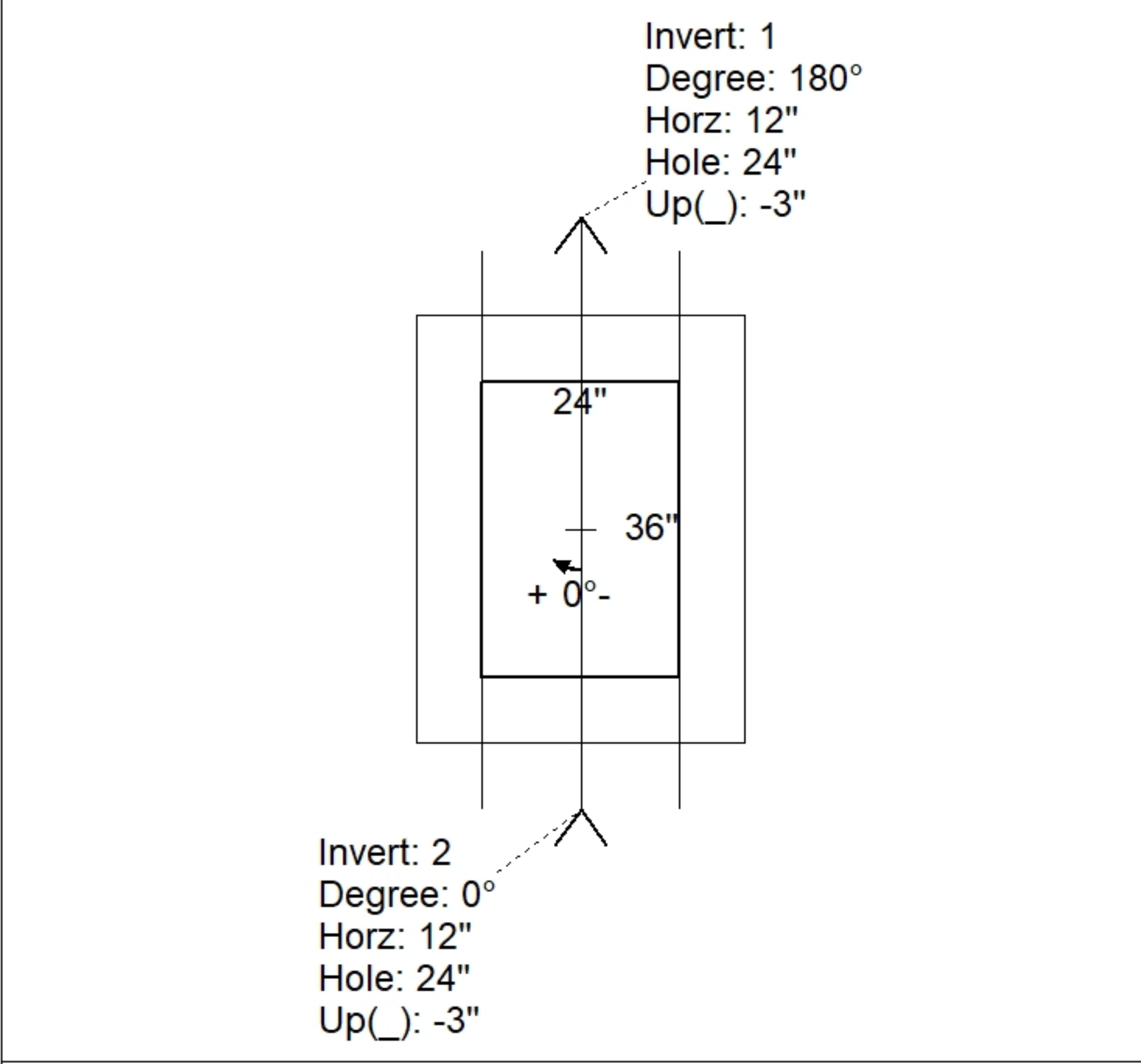
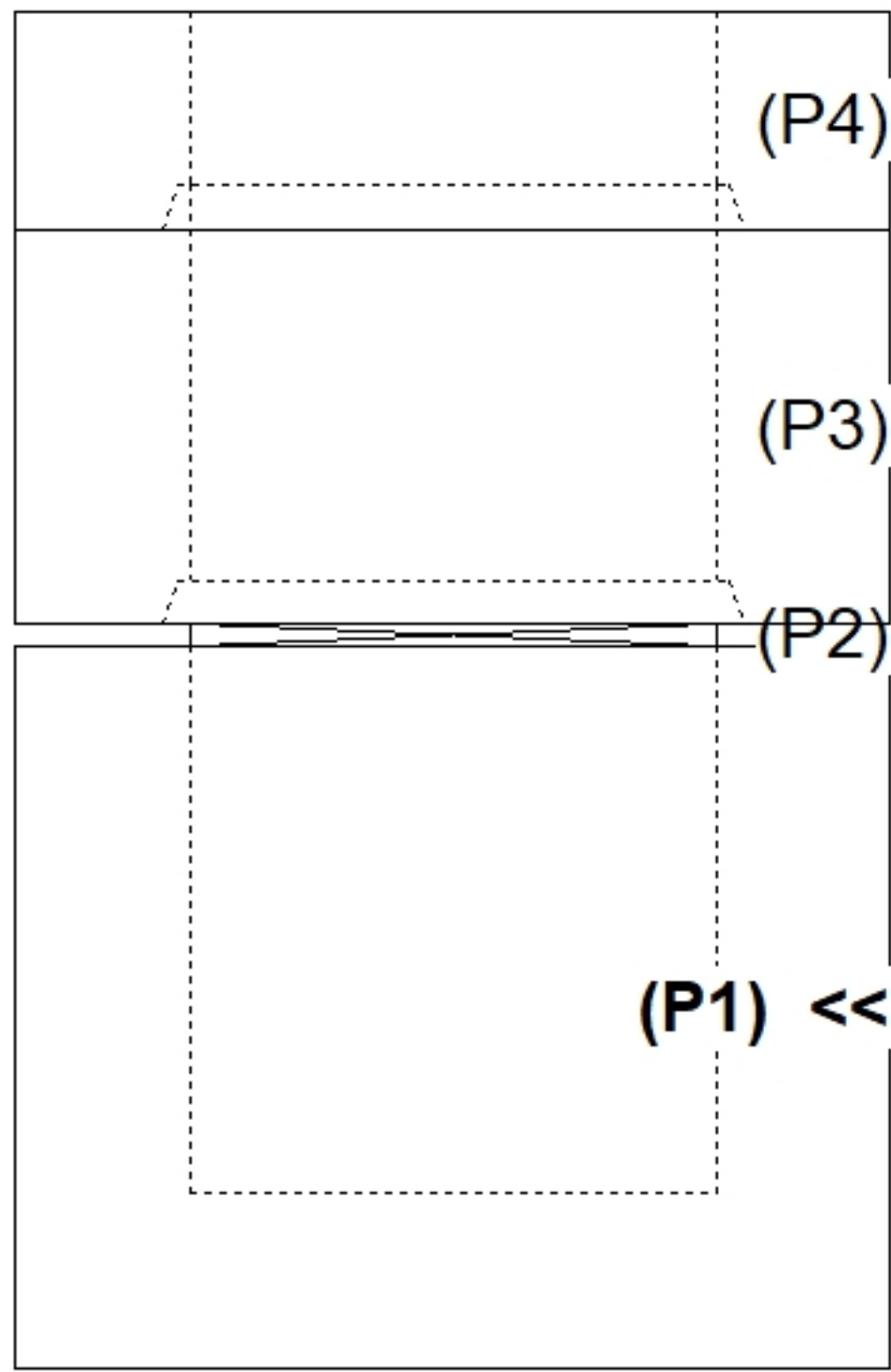
REINFORCING PER ASTM A615 (GRADE 60).
 - TOP PHASE (As .62) #5 BARS AT 6" C.C.E.W.
 - WALLS (As .31) #5 BARS AT 12" C.C.E.W.
 - FLOOR (As .31) #5 BARS AT 12" C.C.E.W.

Rim: 885.21' Rim to Invert: 4.54' Slack: 0.48" Sump: 0" Step Position:

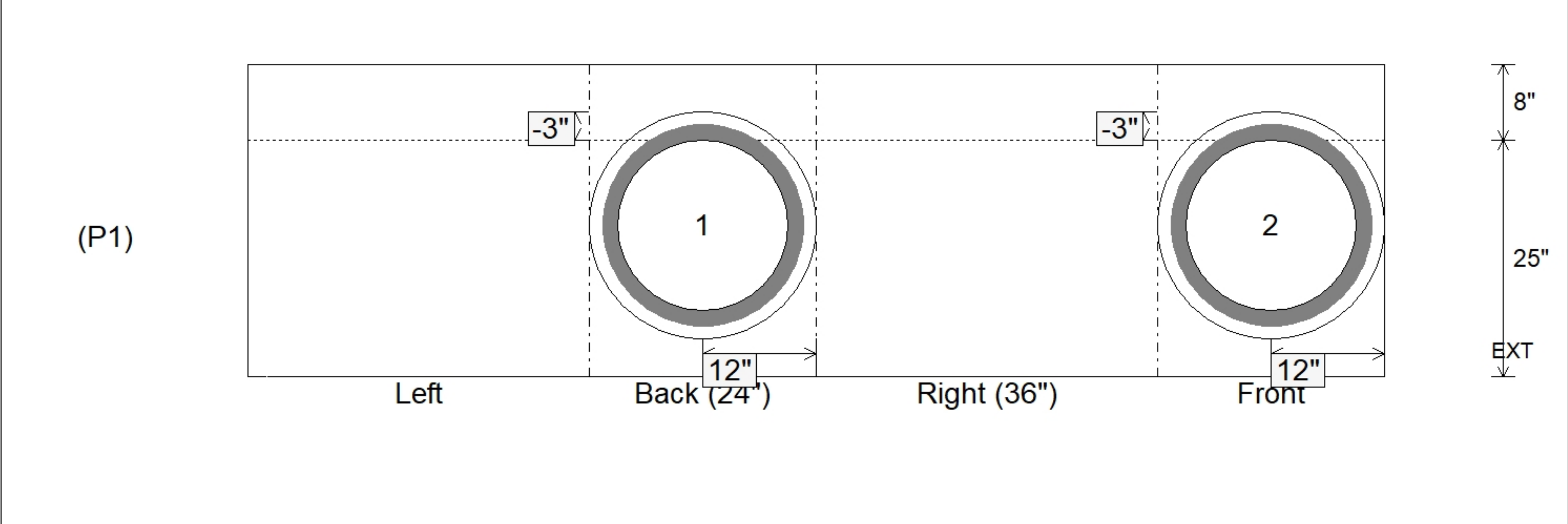
Position	Elev	Angle	Ext. (cw)	Pipe	Pipe OD	Connector	Hole	Horz Size	Up ()	Offset
Invert 1	880.67'	180°	20"	18" HDPE	21.2"	Hole 24	24"	24"	-3"	0"
Invert 2	880.67'	0°	20"	18" HDPE	21.2"	Hole 24	24"	24"	-3"	0"
Invert 3										
Invert 4										
Invert 5										
Invert 6										
Invert 7										
Invert 8										

RIGHT-SIDE UP VIEW (int. dimensions)

UPSIDE-DOWN VIEW (int. dimensions)



INSIDE WALL DIMENSIONS



Coating (Int):	Seam Up: Flat	Wall Thickness: 8"	Height (Int): 25"
Coating (Ext):	Seam Dn: n/a	Floor Height: 8"	Height (Ext): 33"
			Weight (Net): 3492 lb
			Volume (Net): 0.89cu.yd