

**Job Name: 25-1511 Halfhill Estates Ph.2**  
**Job Location: Nicholasville, KY**  
**Contractor: Perdue Environmental Contracting Co., Inc.**

PC: T. Ryan  
 TECH: J. Horsley  
 Plant: Beaver Dam



Structure ID: **CBI-403**  
 Spec: KYTC  
 Type: CBI TYPE A (10') MOD.  
 Size: 24" x 120"

Rim: 883.93'  
 Invert: 879.09'  
 Rim to Invert: 4.84'

Sump: 0"  
 Floor (Top): 879.09'  
 Floor Height: 8"

Floor (Bot): 878.423'  
 Overall Height: 5.5'  
 Slack: 0.08"

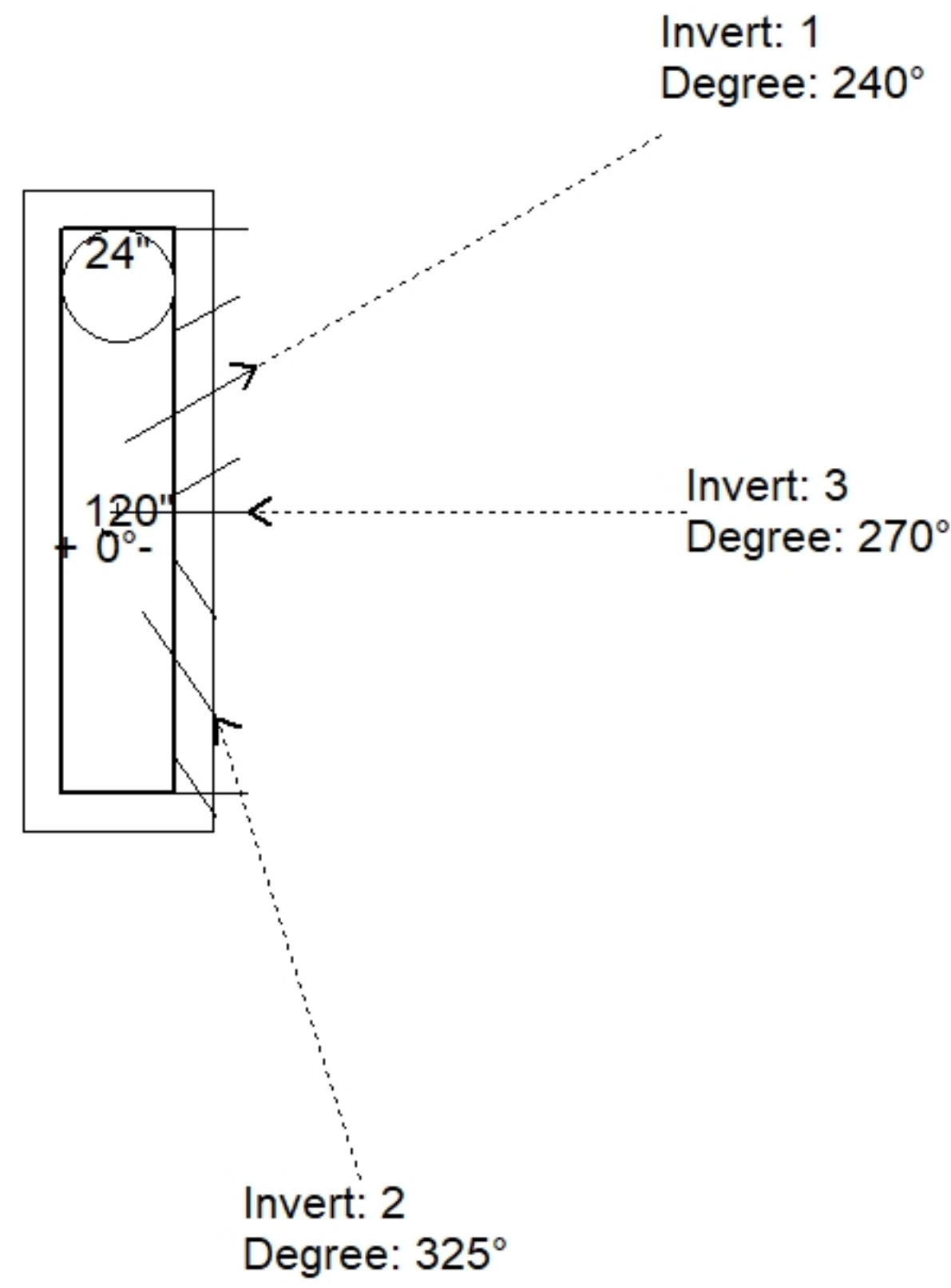
**Structure Notes:**

- PER KYTC CBI TYPE A / ASTM C913 SPEC'S.
- CONCRETE = 4,000 PI AT 28 DAYS.
- NO INVERT CHANNEL
- CASTING BY ICAST (HOE KY-206 F/C) CAST INTO TOP SLAB.
- KYTC CBI TYPE A STYLE NOTCH (120"x8") AT 270°. STUB #5 BARS 20" OUT TOP OF NOTCH. SPA. AT 12" C/C.

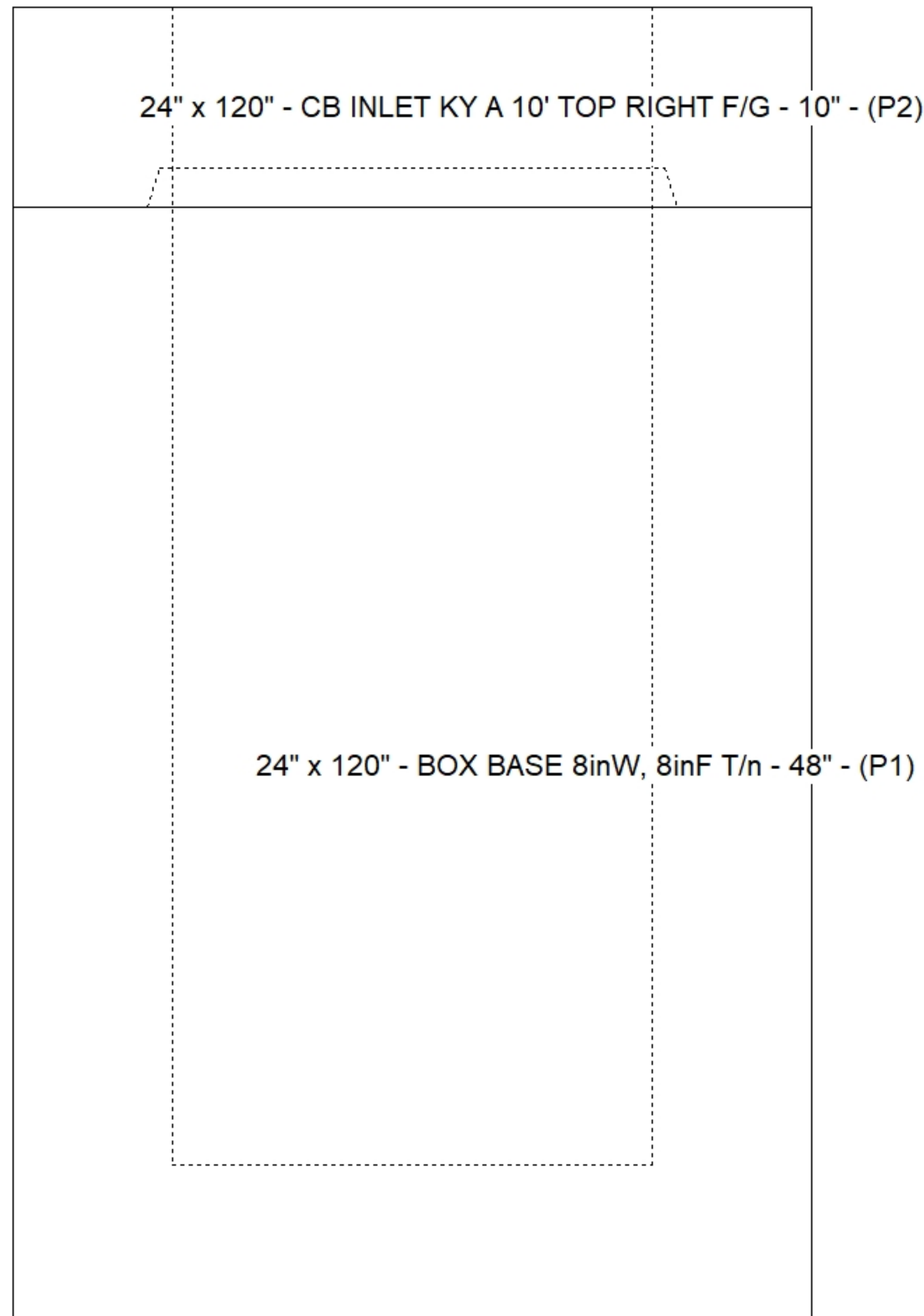
REINFORCING PER ASTM A615 (GRADE 60).  
 - TOP PHASE (As .62) #5 BARS AT 6" C.C.E.W.  
 WALLS (HORIZ.) = #5 BARS AT 12" C/C.  
 WALLS (VERT.) = #5 BARS AT 6" C/C.  
 FLOOR = #5 BARS AT 6" C/C EA. WAY

**STRUCTURE SUMMARY:**

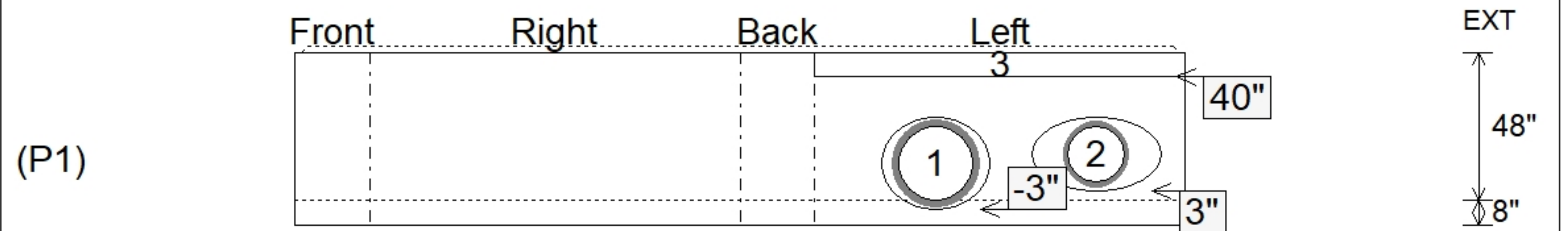
P2) 24" x 120" - CB INLET KY A 10' TOP RIGHT F/G - 10"	3398 lb
P1) 24" x 120" - BOX BASE 8inW, 8inF T/n - 48"	12402 lb
1) CASTING - HOE KY-206 F/C (KY TY1)	206 lb
1) 24" x 120" - Conseal CS-102 1.00"	0 lb
1) Hole - 30	0 lb
1) Hole - 24	0 lb
1) Horiz Slot n/n - 120"x8"	0 lb
<b>Structure Total:</b>	<b>16006 lb</b>



Position	Elev	Angle	Pipe	Pipe OD	Hole	Connector	Up ( )	Ref
Rim	883.93'							
Reducer								
Invert 1	879.09'	240°	24" HDPE	27.8"	30"	Hole 30	-3"	P1
Invert 2	879.59'	325°	18" HDPE	21.2"	24"	Hole 24	3"	P1
Invert 3	882.42'	270°	120" x 8" Horiz Slot	120" x 8"	120" x 8"	Horiz Slot 120"x8"	40"	P1
Invert 4								
Invert 5								
Invert 6								
Invert 7								
Invert 8								



**Cast (Int. Dim.) - Interior Dimensions**



Submittal Drawing  
 11/11/2025 6:23:55 PM

SUBMITTAL  
 APPROVED BY: