

Job Name: 25-1511 Halfhill Estates Ph.2
Job Location: Nicholasville, KY
Contractor: Perdue Environmental Contracting Co., Inc.

PC: T. Ryan
 TECH: J. Horsley
 Plant: Beaver Dam



Structure ID: **CBI-402**
 Spec: KYTC
 Type: CBI TYPE A (10') MOD.
 Size: 24" x 120"

Rim: 882.93'
 Invert: 878.21'
 Rim to Invert: 4.72'

Sump: 0"
 Floor (Top): 878.21'
 Floor Height: 8"

Floor (Bot): 877.543'
 Overall Height: 5.333'
 Slack: 0.64"

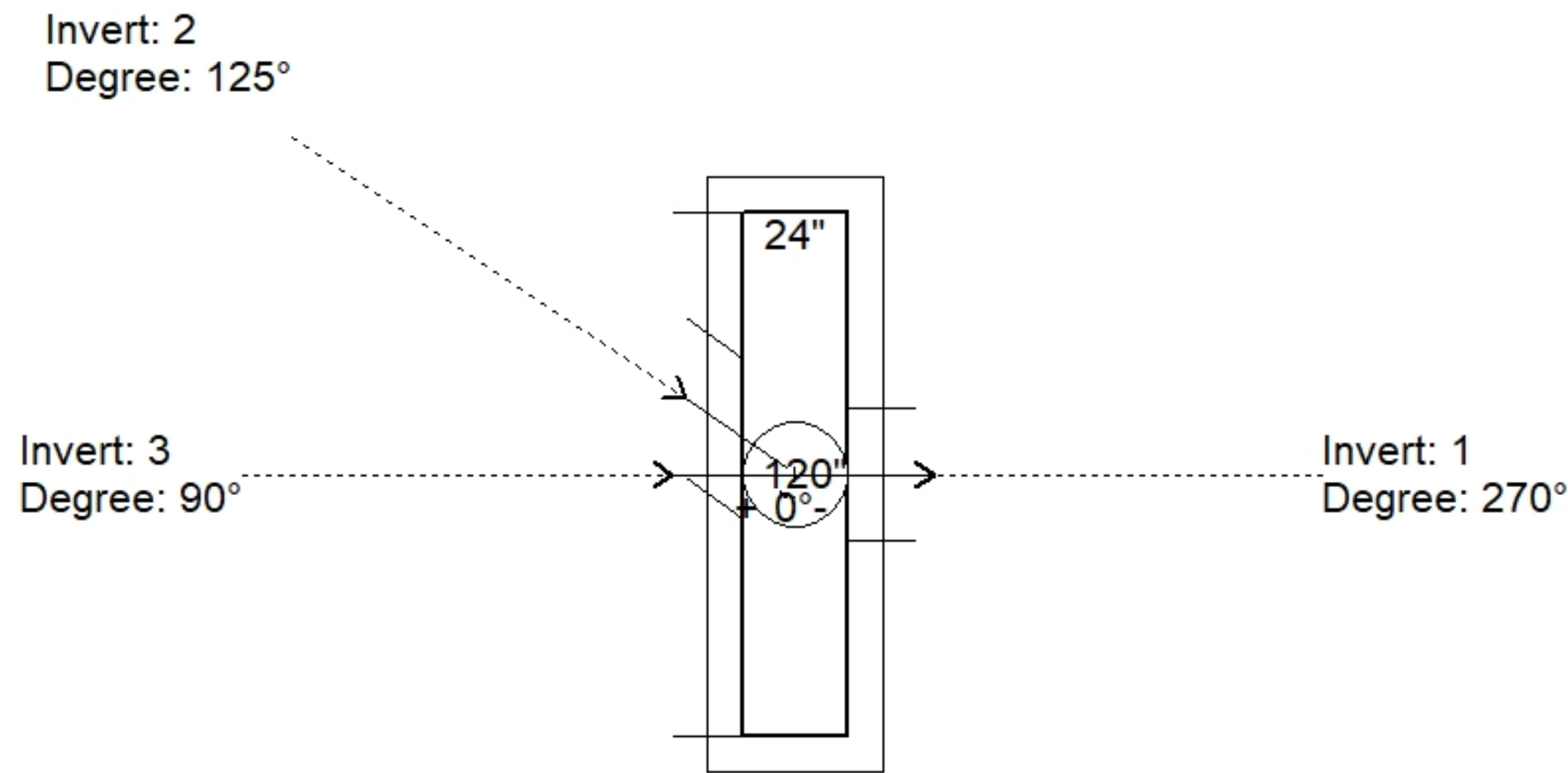
Structure Notes:

- PER KYTC CBI TYPE A / ASTM C913 SPEC'S.
- CONCRETE = 4,000 PI AT 28 DAYS.
- NO INVERT CHANNEL
- CASTING BY ICAST (HOE KY-206 F/C) CAST INTO TOP SLAB.
- KYTC CBI TYPE A STYLE NOTCH (120"x8") AT 90°. STUB #5 BARS 20" OUT TOP OF NOTCH. SPA. AT 12" C/C.

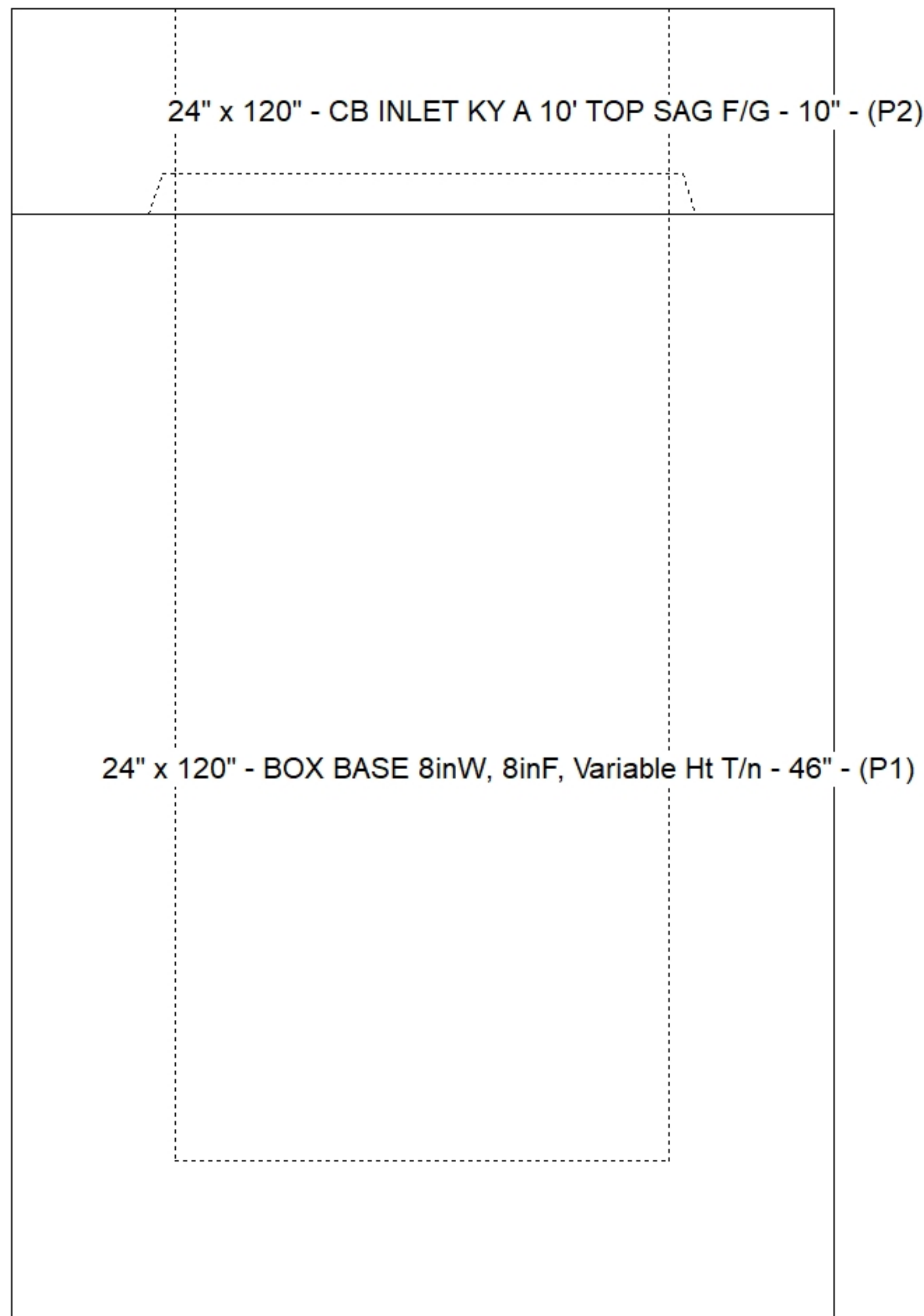
REINFORCING PER ASTM A615 (GRADE 60).
 - TOP PHASE (As .62) #5 BARS AT 6" C.C.E.W.
 WALLS (HORIZ.) = #5 BARS AT 12" C/C.
 WALLS (VERT.) = #5 BARS AT 6" C/C.
 FLOOR = #5 BARS AT 6" C/C EA. WAY

STRUCTURE SUMMARY:

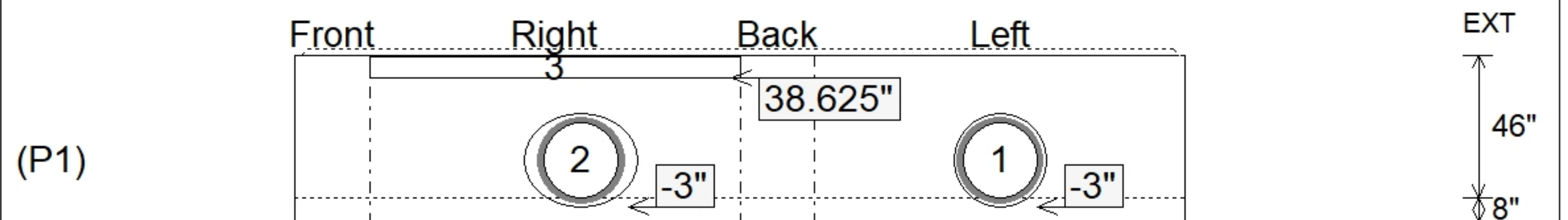
P2) 24" x 120" - CB INLET KY A 10' TOP SAG F/G - 10"	3398 lb
P1) 24" x 120" - BOX BASE 8inW, 8inF, Variable Ht T/n - 46"	12057 lb
1) CASTING - HOE KY-206 F/C (KY TY1)	206 lb
1) 24" x 120" - Conseal CS-102 1.00"	0 lb
2) Hole - 30	0 lb
1) Horiz Slot n/n - 120"x7"	0 lb
Structure Total:	15661 lb



Position	Elev	Angle	Pipe	Pipe OD	Hole	Connector	Up (")	Ref
Rim	882.93'							
Reducer								
Invert 1	878.21'	270°	24" HDPE	27.8"	30"	Hole 30	-3"	P1
Invert 2	878.21'	125°	24" HDPE	27.8"	30"	Hole 30	-3"	P1
Invert 3	881.43'	90°	120" x 7" Horiz Slot	120" x 7"	120" x 7"	Horiz Slot 120"x7"	38.625"	P1
Invert 4								
Invert 5								
Invert 6								
Invert 7								
Invert 8								



Cast (Int. Dim.) - Interior Dimensions



Submittal Drawing
 11/11/2025 4:04:12 PM

SUBMITTAL
 APPROVED BY: