

**Job Name: 25-1492 Harvard Drive Sewer Replacement - Revised**  
**Job Location: Elizabethtown, KY**  
**Contractor: Ferguson Waterworks #1233**

PC: C. Goff  
 TECH: S. Felletter  
 Plant: Beaver Dam, KY



Structure ID: **MH-2**  
 Spec: Sanitary  
 Type: SAN.MH  
 Size: 48"

Rim: 766.95'  
 Invert: 755.53'  
 Rim to Invert: 11.42'

Sump: 2"  
 Floor (Top): 755.363'  
 Floor Height: 6"

Floor (Bot): 754.863'  
 Overall Height: 12.083'  
 Slack: 0.04"

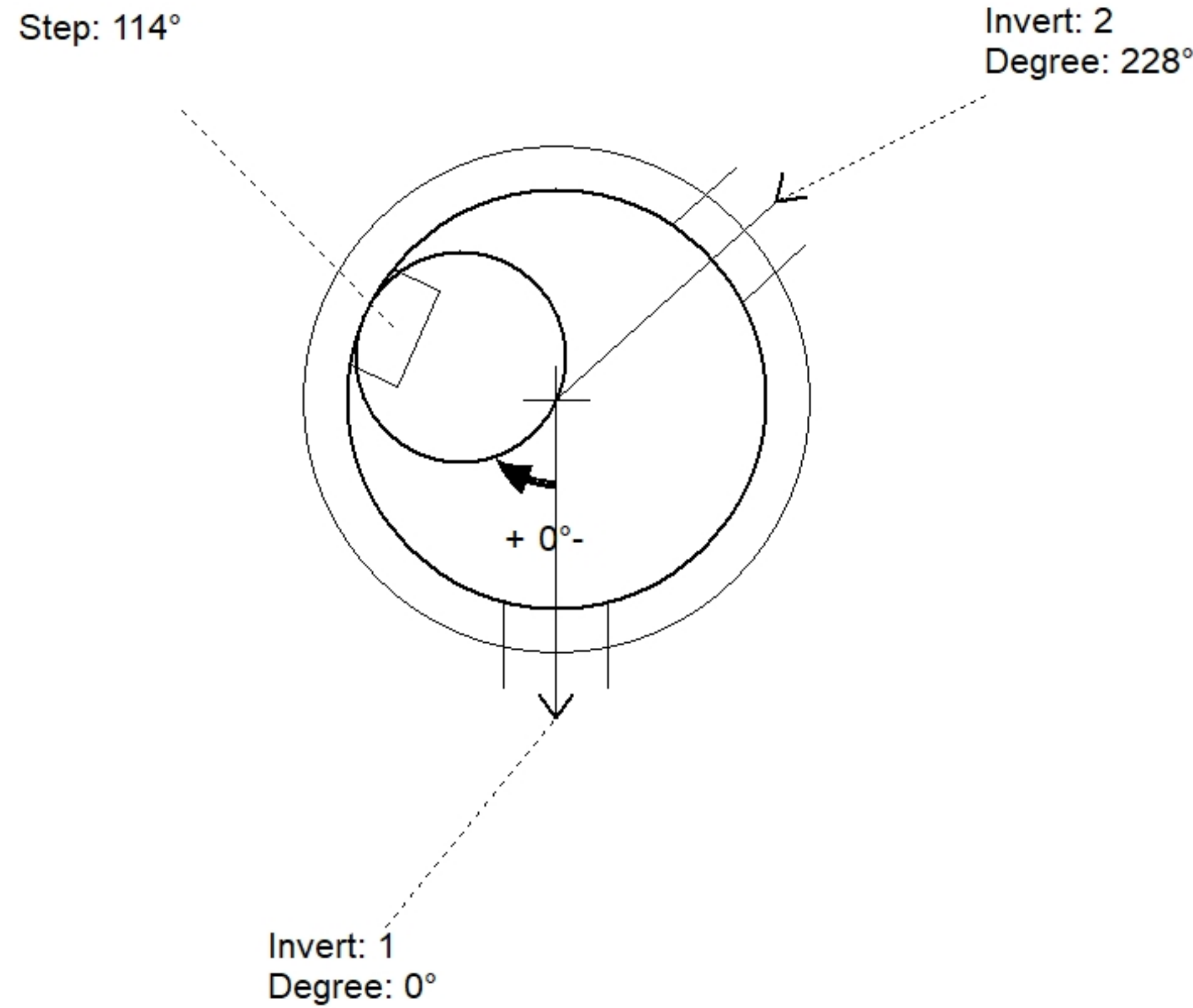
**Structure Notes:**

- PER ASTM C478 SPECIFICATIONS.
- CONCRETE = 4,000 PSI AT 28 DAYS.
- CASTING BY ICAST (HOE MC-315 F/C "SANITARY").

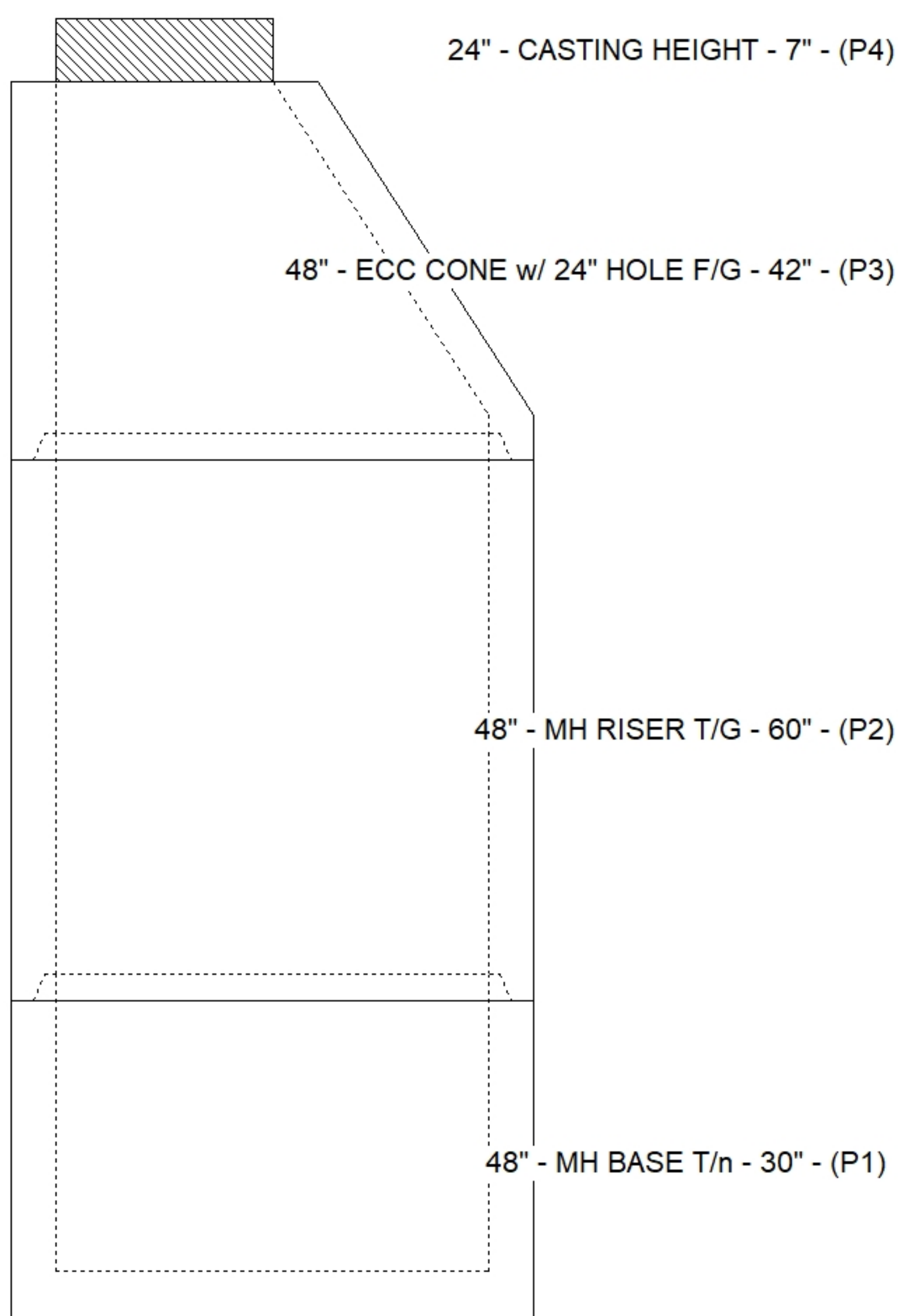
REINFORCING PER ASTM A615 (GRADE 60).  
 - CONE (As .12)  
 - RISER/WALLS (As .12)  
 - FLOOR (As .31) #5 BARS AT 12" C.C.E.W.

**STRUCTURE SUMMARY:**

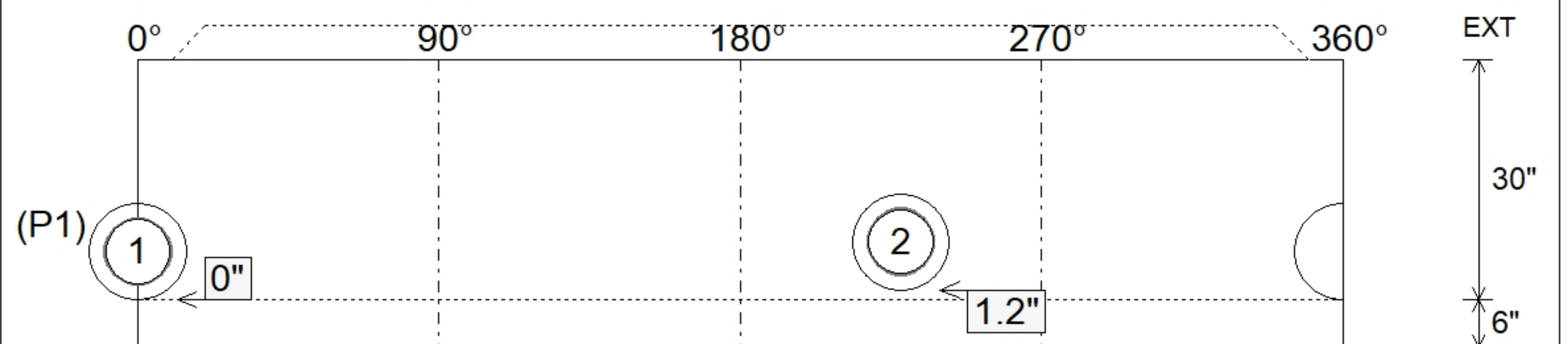
P4) 24" - CASTING HEIGHT - 7"	0 lb
P3) 48" - ECC CONE w/ 24" HOLE F/G - 42"	3200 lb
P2) 48" - MH RISER T/G - 60"	4192 lb
P1) 48" - MH BASE T/n - 30"	3330 lb
1) JOINT WRAP - 0.065"x6"x50' CONSEAL CS212	0 lb
1) JOINT WRAP PRIMER - CONSEAL CS-75 (1 gal.)	0 lb
1) 48" - MH INVERT CHANNEL - FULL HEIGHT	1440 lb
1) CASTING - HOE MC-315 F/C Sanitary	258 lb
2) 48" - Conseal CS-102 1.00" (Double)	0 lb
2) PSX - 12-08 NYLO	16 lb
11) MH Step ML-10-TDS-NCR - 10"	0 lb
<b>Structure Total:</b>	<b>12436 lb</b>



Position	Elev	Angle	Pipe	Pipe OD	Hole	Connector	Up ( )	Ref
Rim	766.95'							
Reducer								
Invert 1	755.53'	0°	8" PVC SDR35	8.5"	12"	PSX 12-08 NYLO	0"	P1
Invert 2	755.63'	228°	8" PVC SDR35	8.5"	12"	PSX 12-08 NYLO	1.2"	P1
Invert 3								
Invert 4								
Invert 5								
Invert 6								
Invert 7								
Invert 8								



**Default - Interior Dimensions**



Submittal Drawing  
 3/16/2026 1:53:29 PM

SUBMITTAL  
 APPROVED BY: