

Job Name: 25-1492 Harvard Drive Sewer Replacement - Revised Job Location: Elizabethtown, KY Contractor: Ferguson Waterworks #1233	Plant: Beaver Dam, KY	Tech: S. Felletter	
	3/16/2026 1:53:58 PM	PC: C. Goff	

Structure ID: MH-2

P3 MH048CN42

ECC CONE w/ 24" HOLE F/G

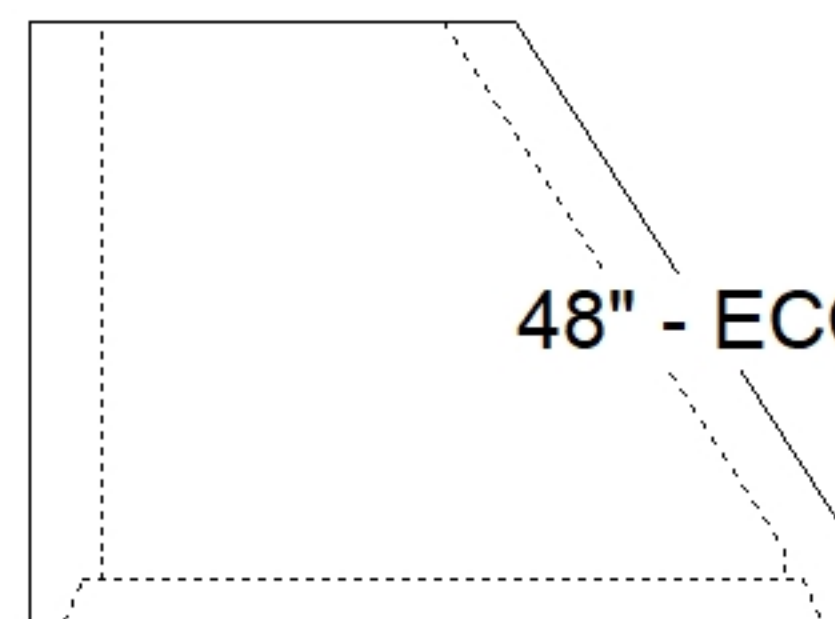
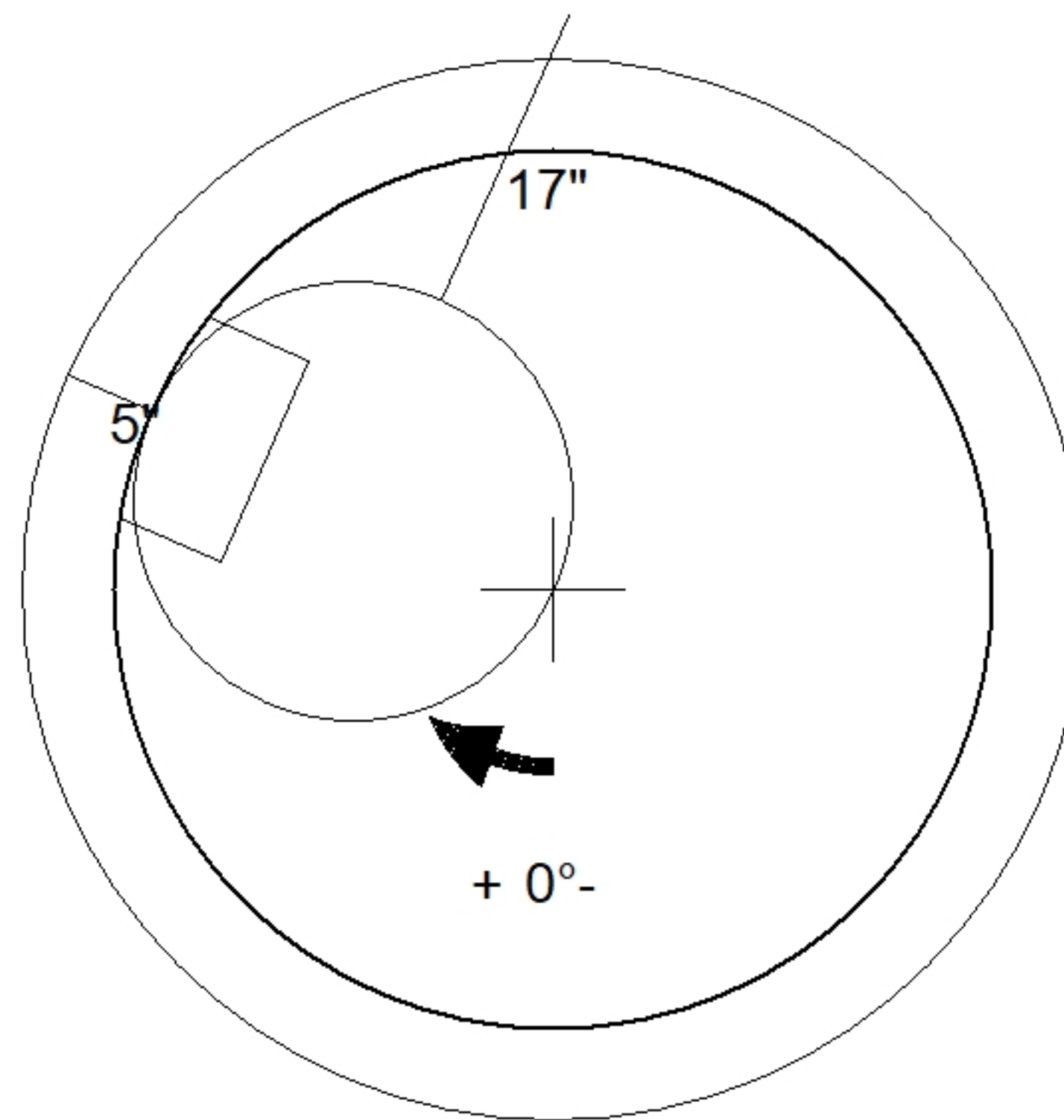
P4) 24" - CASTING HEIGHT - 7"	0 lb
P3) 48" - ECC CONE w/ 24" HOLE F/G - 42"	3200 lb
P2) 48" - MH RISER T/G - 60"	4192 lb
P1) 48" - MH BASE T/n - 30"	3330 lb
1) JOINT WRAP - 0.065"x6"x50' CONSEAL CS212	0 lb
1) JOINT WRAP PRIMER - CONSEAL CS-75 (1 gal.)	0 lb
1) 48" - MH INVERT CHANNEL - FULL HEIGHT	1440 lb
1) CASTING - HOE MC-315 F/C Sanitary	258 lb
2) 48" - Conseal CS-102 1.00" (Double)	0 lb
2) PSX - 12-08 NYLO	16 lb
11) MH Step ML-10-TDS-NCR - 10"	0 lb
Structure Total:	12436 lb

Structure Notes:

- PER ASTM C478 SPECIFICATIONS.
- CONCRETE = 4,000 PSI AT 28 DAYS.
- CASTING BY ICAST (HOE MC-315 F/C "SANITARY").

REINFORCING PER ASTM A615 (GRADE 60).

- CONE (As .12)
- RISER/WALLS (As .12)
- FLOOR (As .31) #5 BARS AT 12" C.C.E.W.



48" - ECC CONE w/ 24" HOLE F/G - 42" - (P3)

Coating (Int):	Seam Up: Flat	Wall Thickness: 5"	Height (Ext): 42"	Weight (Net): 3200 lb
Coating (Ext):	Seam Dn: Groove			Volume (Net): 0.5cu.yd