

Job Name: 25-1492 Harvard Drive Sewer Replacement - Revised
Job Location: Elizabethtown, KY
Contractor: Ferguson Waterworks #1233

PC: C. Goff
 TECH: S. Felletter
 Plant: Beaver Dam, KY



Structure ID: **MH-1**
 Spec: Sanitary
 Type: SAN.MH
 Size: 48"

Rim: 766.06'
 Invert: 758.41'
 Rim to Invert: 7.65'

Sump: 2"
 Floor (Top): 758.243'
 Floor Height: 6"

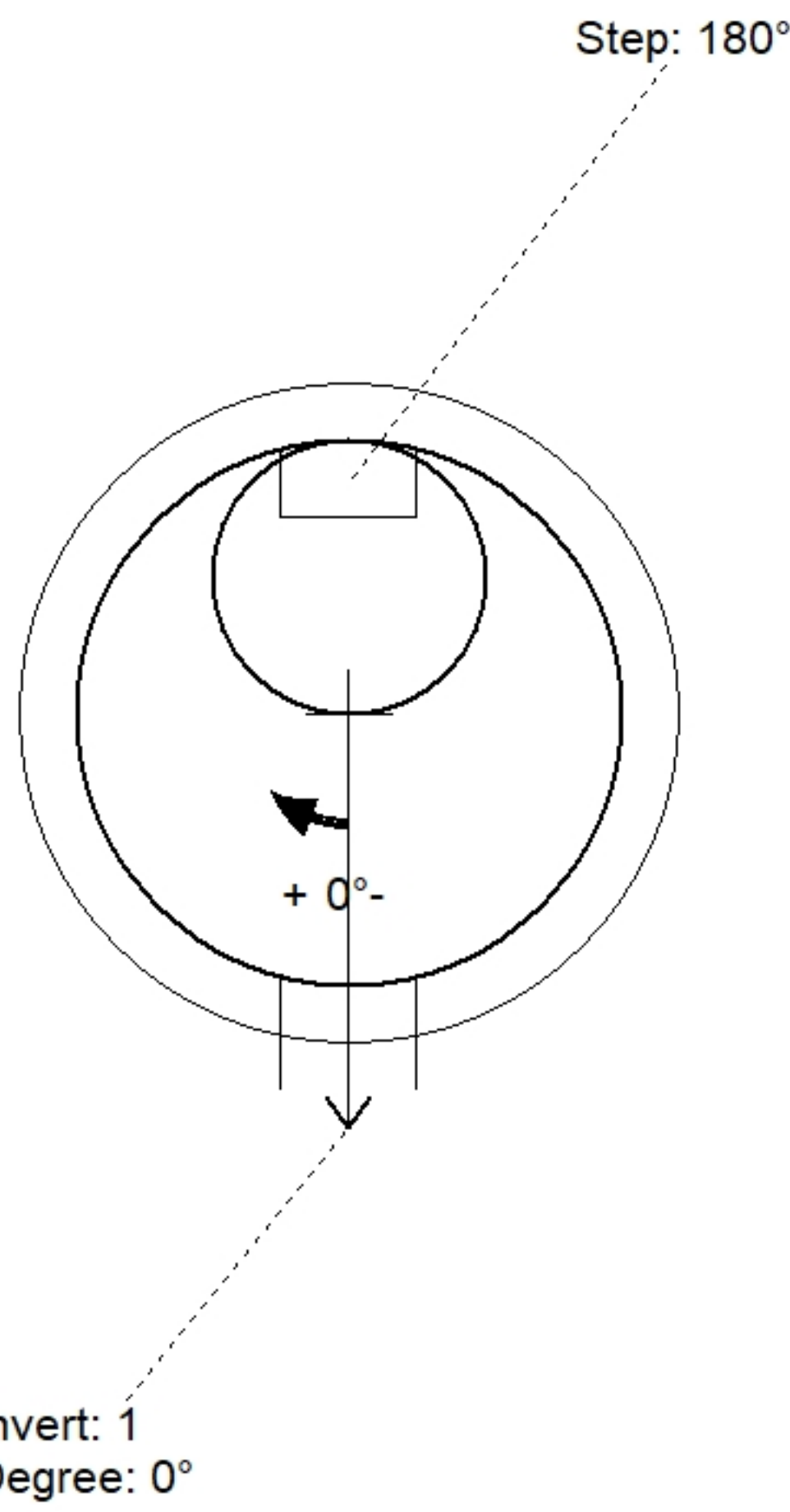
Floor (Bot): 757.743'
 Overall Height: 8.083'
 Slack: 2.8"

Structure Notes:

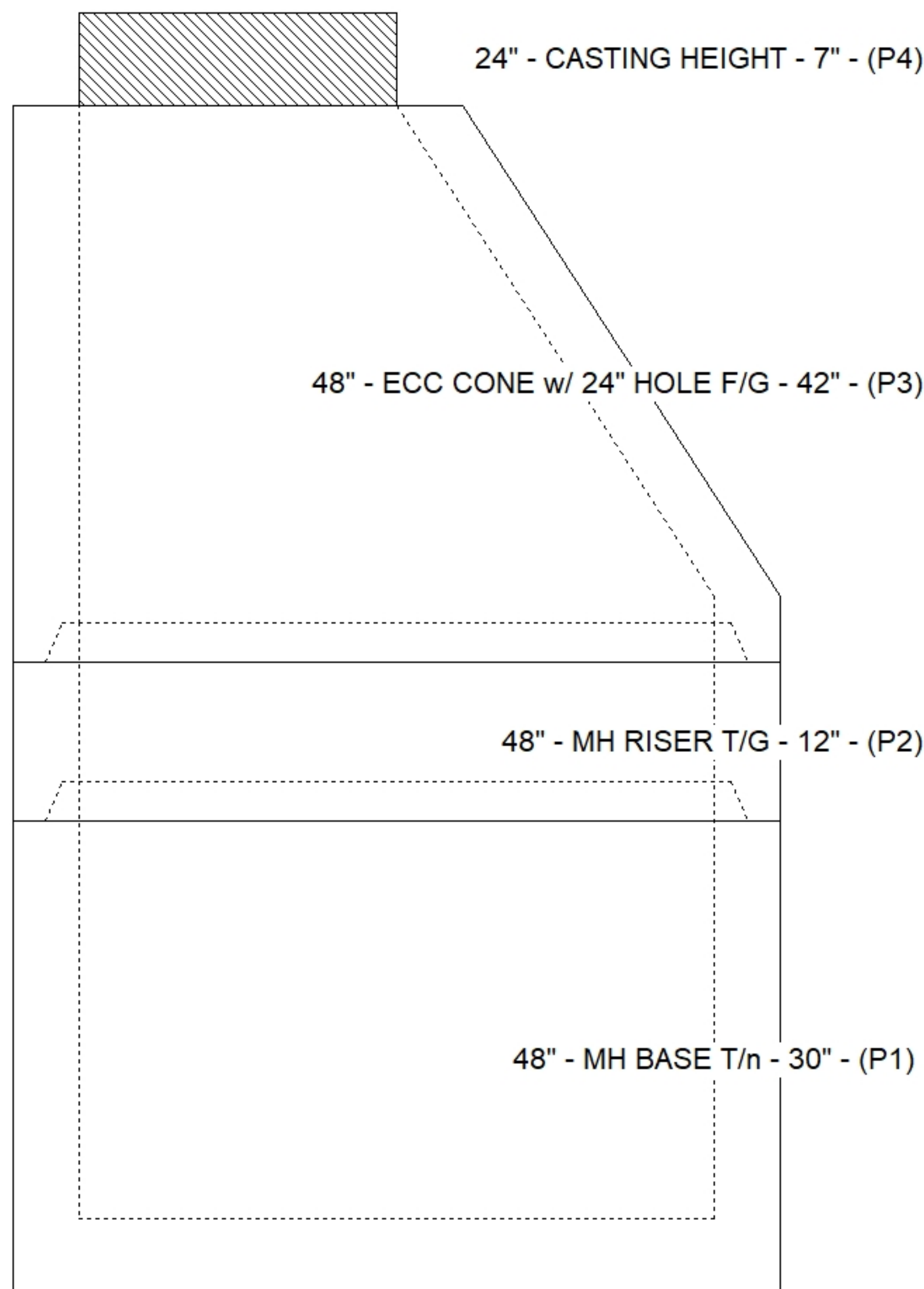
- PER ASTM C478 SPECIFICATIONS.
 - CONCRETE = 4,000 PSI AT 28 DAYS.
 - CASTING BY ICAST (HOE MC-315 F/C "SANITARY").
- REINFORCING PER ASTM A615 (GRADE 60).
 - CONE (As .12)
 - RISER/WALLS (As .12)
 - FLOOR (As .31) #5 BARS AT 12" C.C.E.W.
- ORIGINAL MH-1 COMPONENTS ALREADY PRODUCED AND ONSITE, REVISED STACK-OUT.

STRUCTURE SUMMARY:

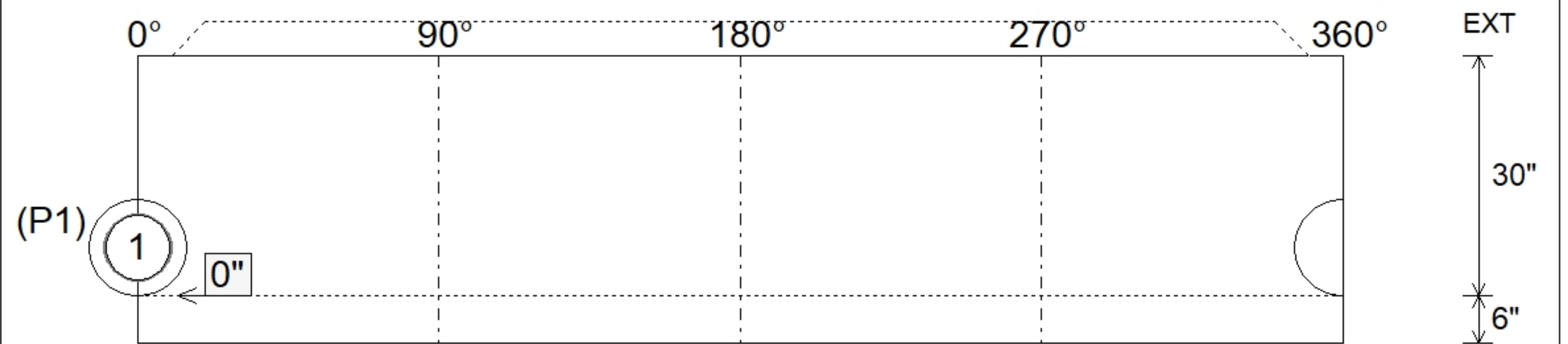
P4) 24" - CASTING HEIGHT - 7"	0 lb
P3) 48" - ECC CONE w/ 24" HOLE F/G - 42"	3200 lb
P2) 48" - MH RISER T/G - 12"	838 lb
P1) 48" - MH BASE T/n - 30"	3378 lb
1) JOINT WRAP - 0.065"x6"x50' CONSEAL CS212	0 lb
1) JOINT WRAP PRIMER - CONSEAL CS-75 (1 gal.)	0 lb
1) 48" - MH INVERT CHANNEL - FULL HEIGHT	1440 lb
1) CASTING - HOE MC-315 F/C Sanitary	258 lb
2) 48" - Conseal CS-102 1.00" (Double)	0 lb
1) PSX - 12-08 NYLO	8 lb
7) MH Step ML-10-TDS-NCR - 10"	0 lb
Structure Total:	9122 lb



Position	Elev	Angle	Pipe	Pipe OD	Hole	Connector	Up ()	Ref
Rim	766.06'							
Reducer								
Invert 1	758.41'	0°	8" PVC SDR35	8.5"	12"	PSX 12-08 NYLO	0"	P1
Invert 2								
Invert 3								
Invert 4								
Invert 5								
Invert 6								
Invert 7								
Invert 8								



Default - Interior Dimensions



Submittal Drawing
 3/27/2026 8:18:46 AM

SUBMITTAL
 APPROVED BY: