

Job Name: 25-1431 - Georgetown Commons
Job Location: Georgetown, KY
Contractor: Winwater Hartford KY Co.

PC: A. Chambers
 TECH: J. Coppage
 Plant: Beaver Dam



Structure ID: YD 11
 Spec: Storm
 Type: STM.MH
 Size: 48"

Rim: 867.25'
 Invert: 860'
 Rim to Invert: 7.25'

Sump: 1.9"
 Floor (Top): 859.842'
 Floor Height: 6"

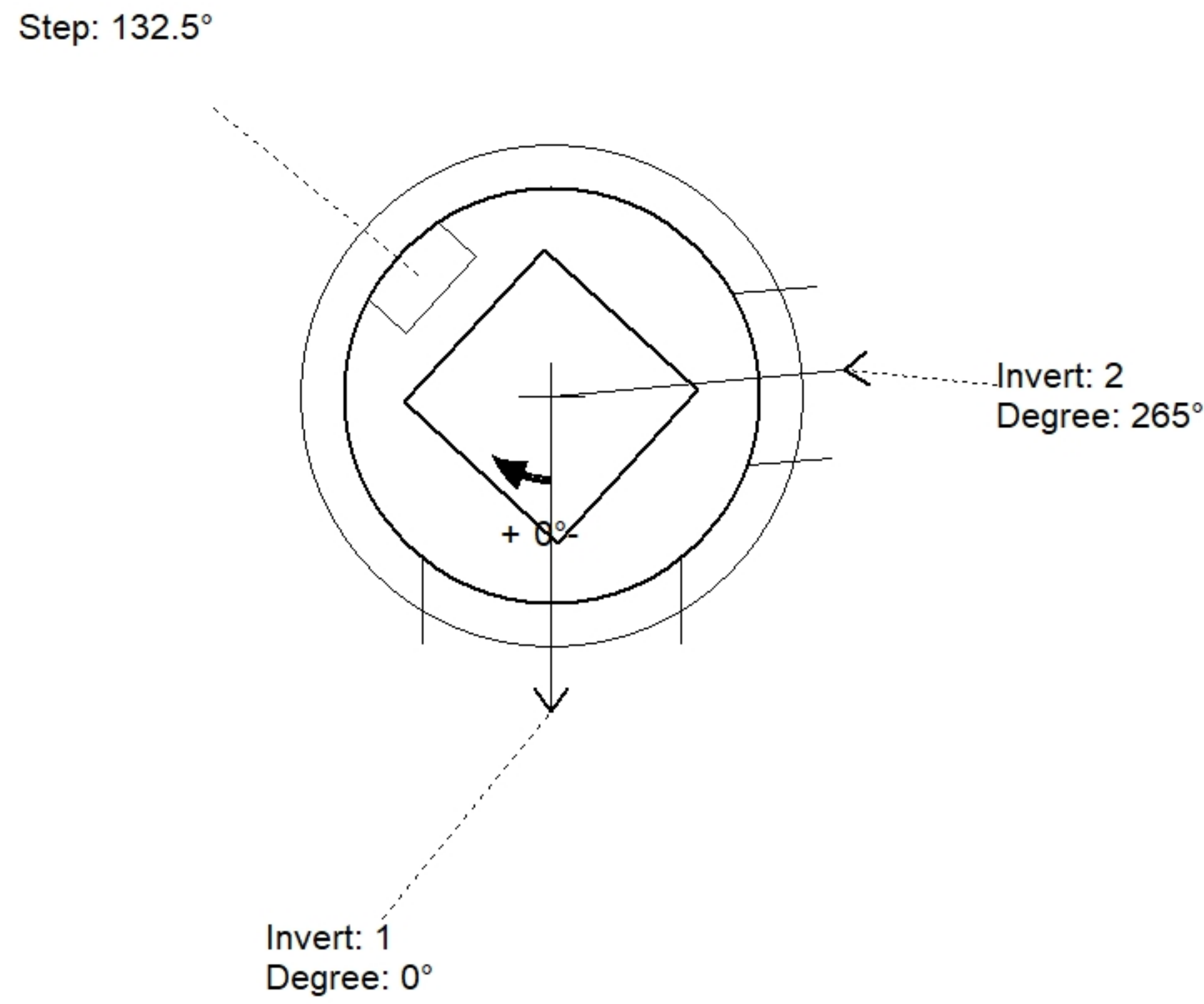
Floor (Bot): 859.342'
 Overall Height: 7.75'
 Slack: 1.9"

Structure Notes:

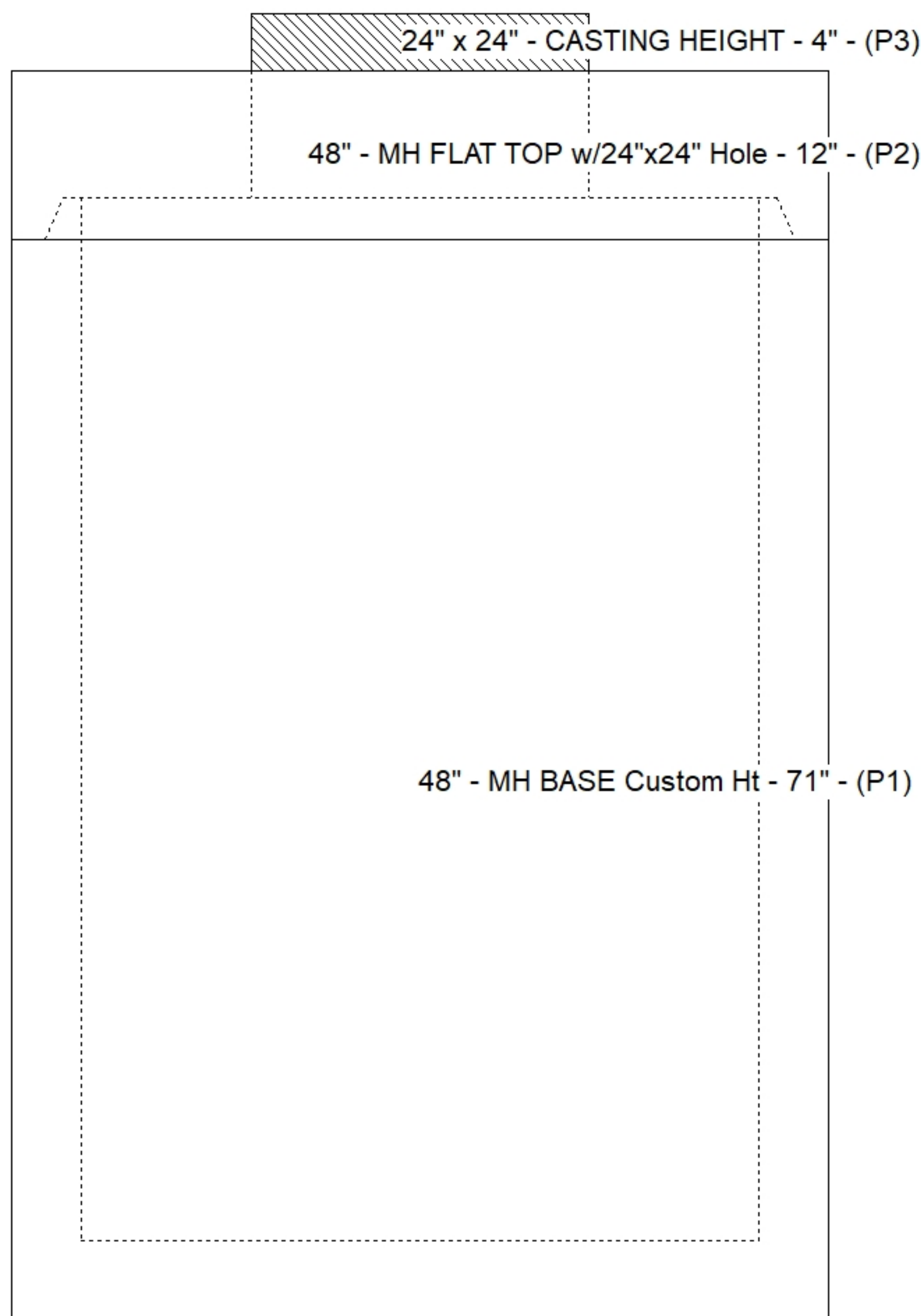
1. JR HOE HOE-280T PROVIDED BY ICAST.
2. PER ASTM C478 SPECIFICATIONS.
3. CONCRETE = 4,000 PSI AT 28 DAYS.
4. REINFORCING PER ASTM A615 (GRADE 60).
 - TOP SLAB (As .62) #5 BARS AT 6" C.C.E.W..
 - RISER/WALLS (As .12)
 - FLOOR (As .31) #5 BARS AT 12" C.C.E.W.

STRUCTURE SUMMARY:

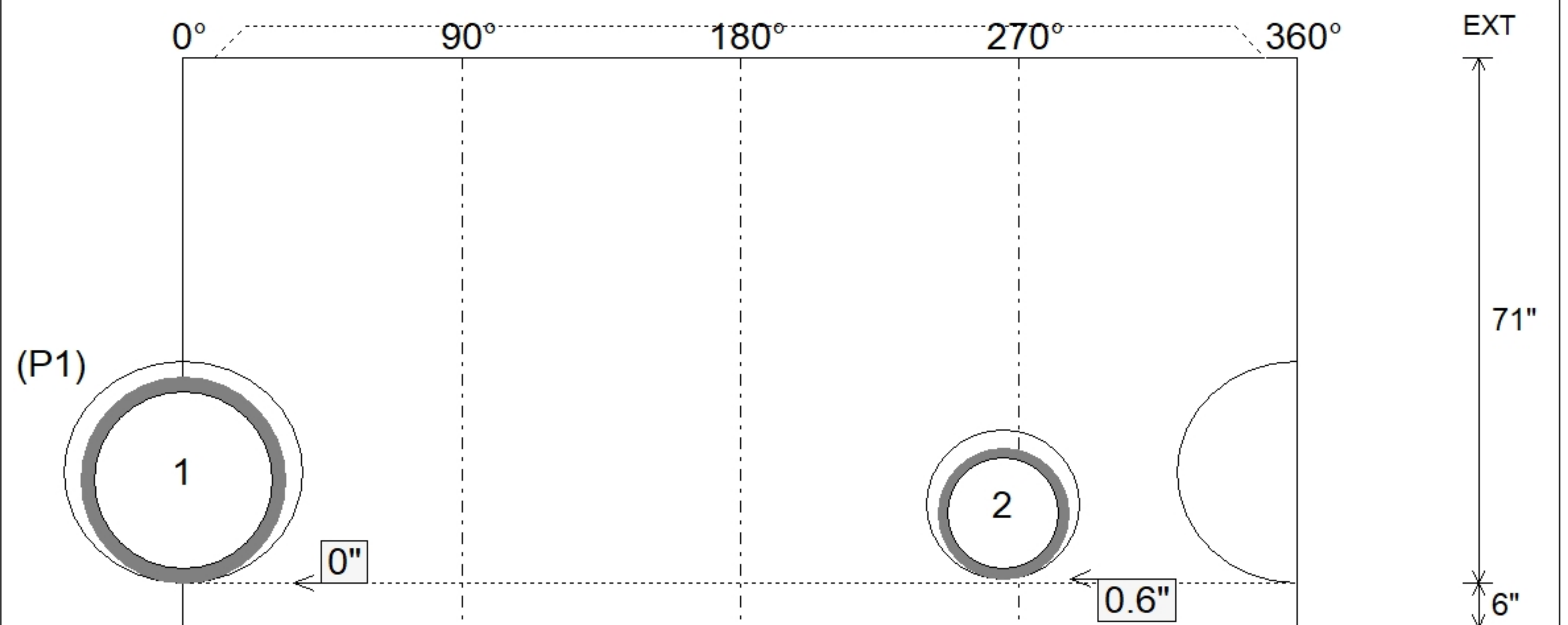
P3) 24" x 24" - CASTING HEIGHT - 4"	0 lb
P2) 48" - MH FLAT TOP w/24"x24" Hole - 12"	1500 lb
P1) 48" - MH BASE Custom Ht - 71"	5839 lb
1) CASTING - HOE 280T F/G	182 lb
1) 48" - Conseal CS-102 1.00"	0 lb
1) 24" x 24" - Conseal CS-102 1.00"	0 lb
1) Hole - 30	0 lb
1) Hole - 20	0 lb
6) MH Step ML-10-TDS-NCR - 10"	0 lb
Structure Total:	7521 lb



Position	Elev	Angle	Pipe	Pipe OD	Hole	Connector	Up ()	Ref
Rim	867.25'							
Reducer								
Invert 1	860'	0°	24" HDPE	27.8"	30"	Hole 30	0"	P1
Invert 2	860'	265°	15" HDPE	17.6"	20"	Hole 20	0.6"	P1
Invert 3								
Invert 4								
Invert 5								
Invert 6								
Invert 7								
Invert 8								



Default - Interior Dimensions



Submittal Drawing
 4/24/2026 11:00:40 AM

SUBMITTAL
 APPROVED BY: