

Job Name: 25-1431 - Georgetown Commons
Job Location: Georgetown, KY
Contractor: Winwater Hartford KY Co.

PC: A. Chambers
 TECH: J. Coppage
 Plant: Beaver Dam



Structure ID: **SSMH-237**

Spec: Sanitary
 Type: SAN.MH
 Size: 48"

Rim: 868.7'
 Invert: 861.2'
 Rim to Invert: 7.5'

Sump: 2"
 Floor (Top): 861.033'
 Floor Height: 6"

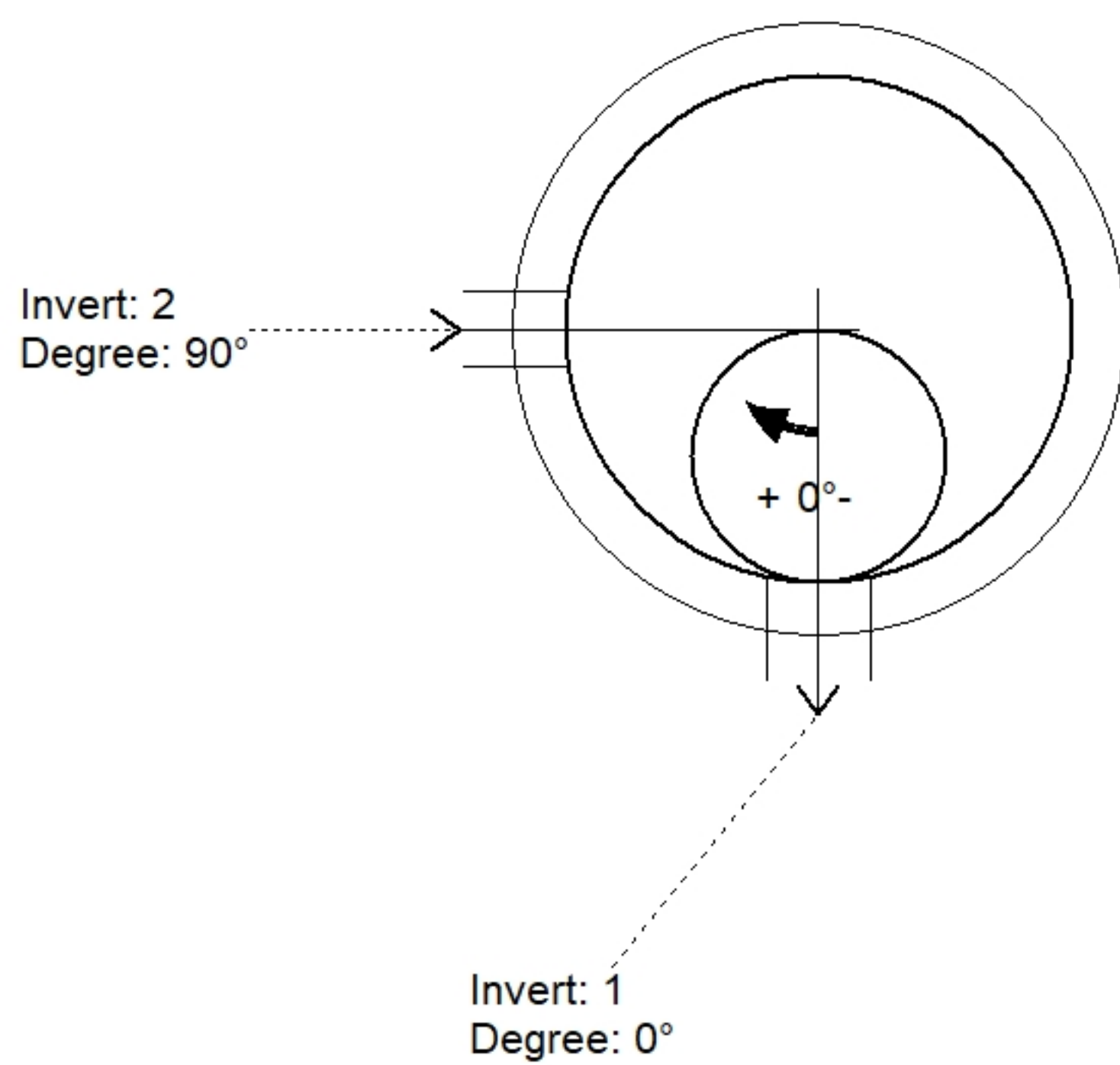
Floor (Bot): 860.533'
 Overall Height: 8.167'
 Slack: 0"

Structure Notes:

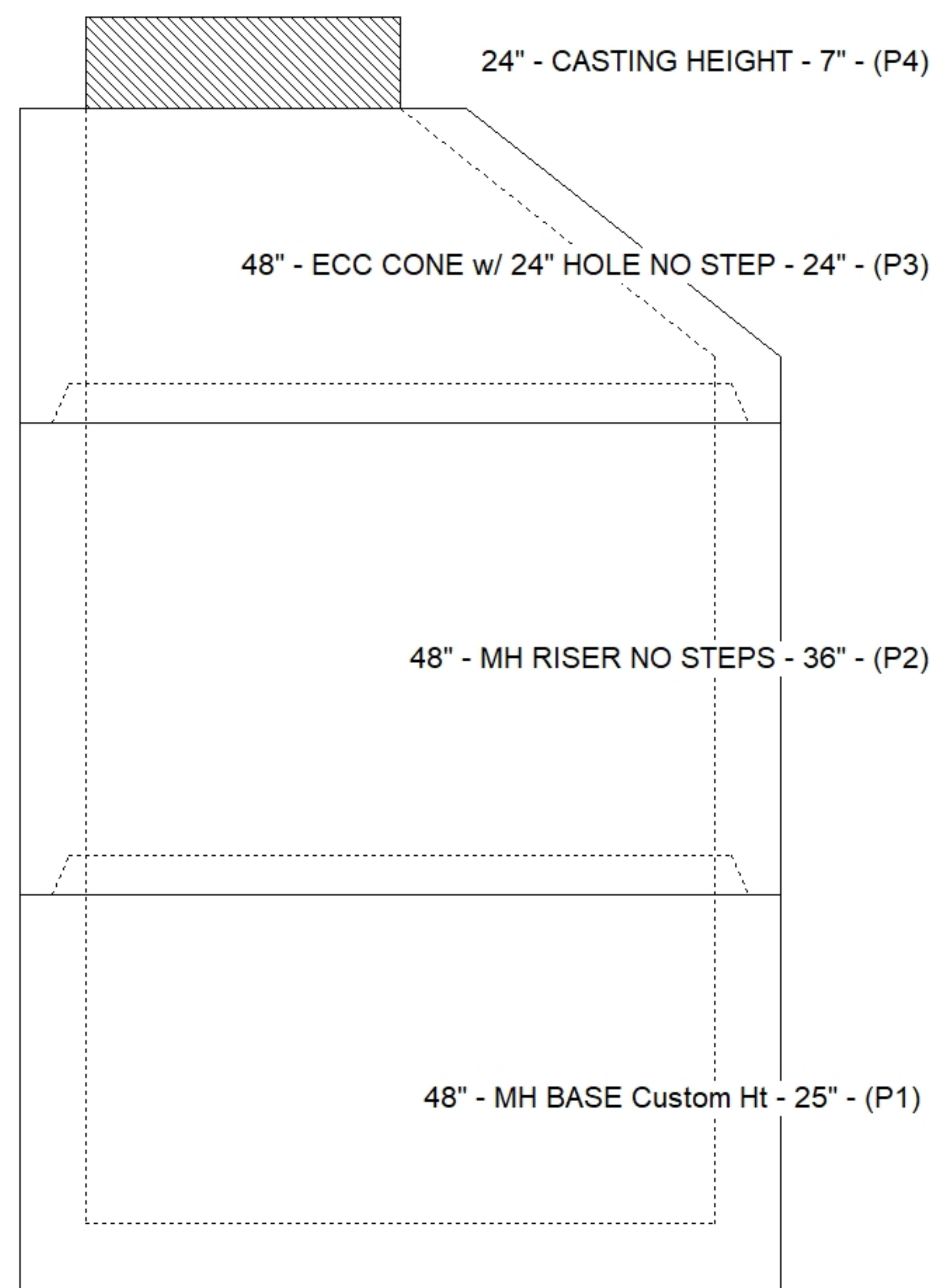
1. JR HOE MC-375 SELF SEALING SAN BY ICAST
2. PER ASTM C478 SPECIFICATIONS.
3. CONCRETE = 4,000 PSI AT 28 DAYS.
4. REINFORCING PER ASTM A615 (GRADE 60).
 - CONE (As .12)
 - RISER/WALLS (As .12)
 - FLOOR (As .31) #5 BARS AT 12" C.C.E.W.
5. ****NO STEPS****

STRUCTURE SUMMARY:

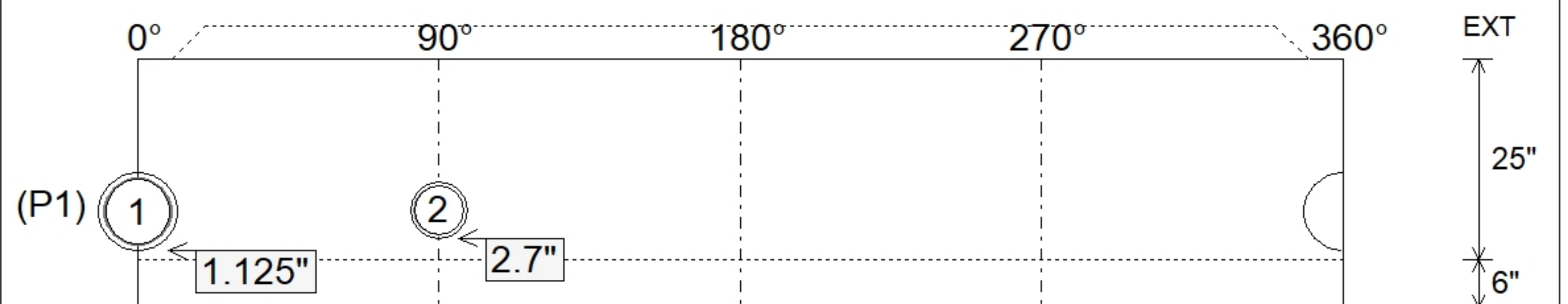
| | |
|---|----------------|
| P4) 24" - CASTING HEIGHT - 7" | 0 lb |
| P3) 48" - ECC CONE w/ 24" HOLE NO STEP - 24" | 1550 lb |
| P2) 48" - MH RISER NO STEPS - 36" | 2515 lb |
| P1) 48" - MH BASE Custom Ht - 25" | 3029 lb |
| 1) JOINT WRAP - 0.065"x6"x50' CONSEAL CS212 | 0 lb |
| 1) JOINT WRAP PRIMER - CONSEAL CS-75 (1 gal.) | 0 lb |
| 1) 48" - MH INVERT CHANNEL - FULL HEIGHT | 1440 lb |
| 2) 48" - Conseal CS-102 1.00" (Double) | 0 lb |
| 1) A-Lok - 0285 | 1 lb |
| 1) A-Lok - 0200 | 1 lb |
| Structure Total: | 8536 lb |



| Position | Elev | Angle | Pipe | Pipe OD | Hole | Connector | Up (") | Ref |
|----------|--------|-------|--------------|---------|-------|------------|--------|-----|
| Rim | 868.7' | | | | | | | |
| Reducer | | | | | | | | |
| Invert 1 | 861.2' | 0° | 8" PVC SDR35 | 8.5" | 9.75" | A-Lok 0285 | 1.125" | P1 |
| Invert 2 | 861.3' | 90° | 6" PVC SDR35 | 6.25" | 7" | A-Lok 0200 | 2.7" | P1 |
| Invert 3 | | | | | | | | |
| Invert 4 | | | | | | | | |
| Invert 5 | | | | | | | | |
| Invert 6 | | | | | | | | |
| Invert 7 | | | | | | | | |
| Invert 8 | | | | | | | | |



Default - Interior Dimensions



Submittal Drawing
 4/28/2026 11:54:12 AM

SUBMITTAL
 APPROVED BY: