

Job Name: 25-1431 - Georgetown Commons
Job Location: Georgetown, KY
Contractor: Winwater Hartford KY Co.

PC: A. Chambers
 TECH: J. Coppage
 Plant: Beaver Dam



Structure ID: **SSMH-225**
 Spec: Sanitary
 Type: SAN.MH
 Size: 48"

Rim: 871.52'
 Invert: 864'
 Rim to Invert: 7.52'

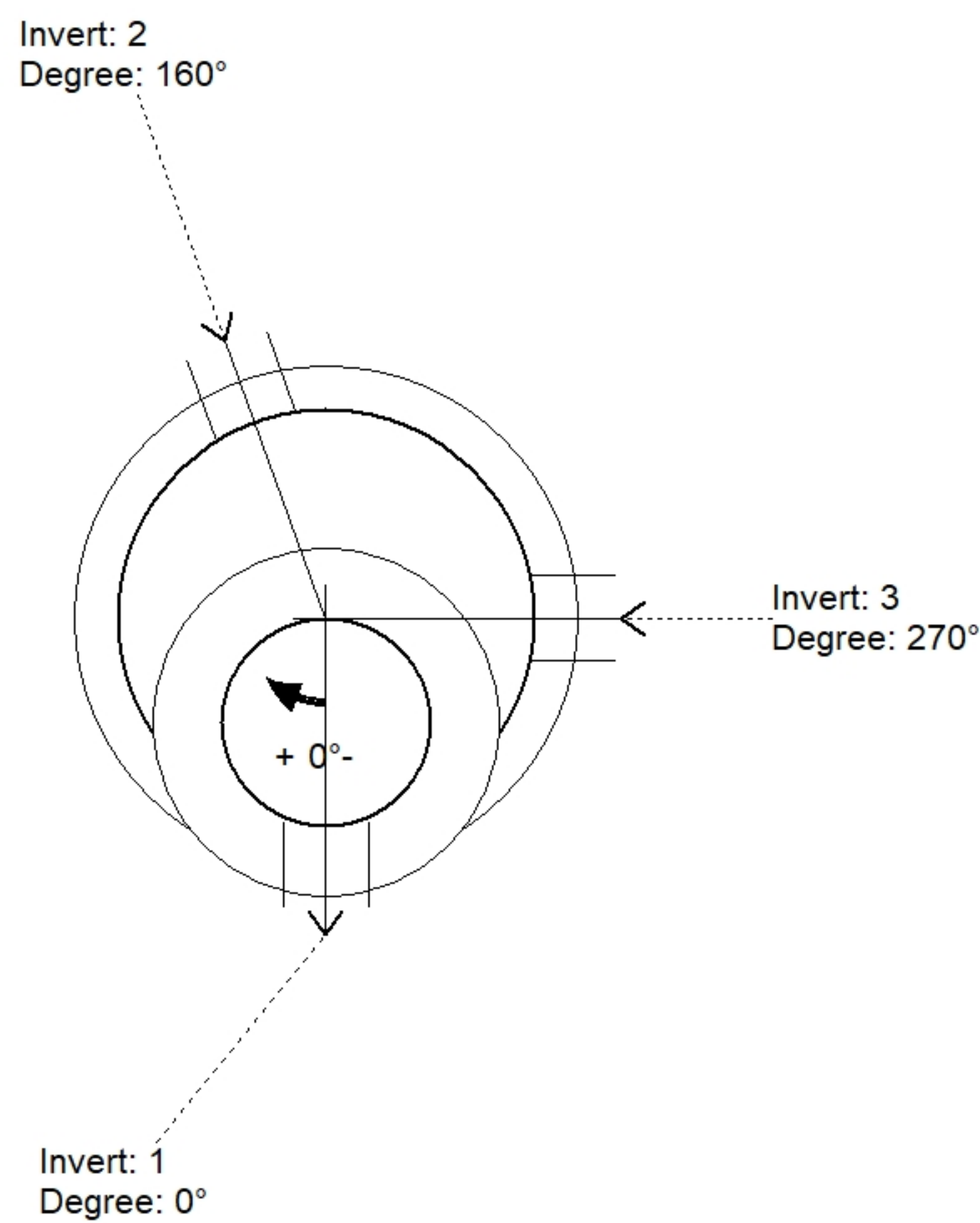
Sump: 2"
 Floor (Top): 863.833'
 Floor Height: 6"

Floor (Bot): 863.333'
 Overall Height: 8.083'
 Slack: 1.24"

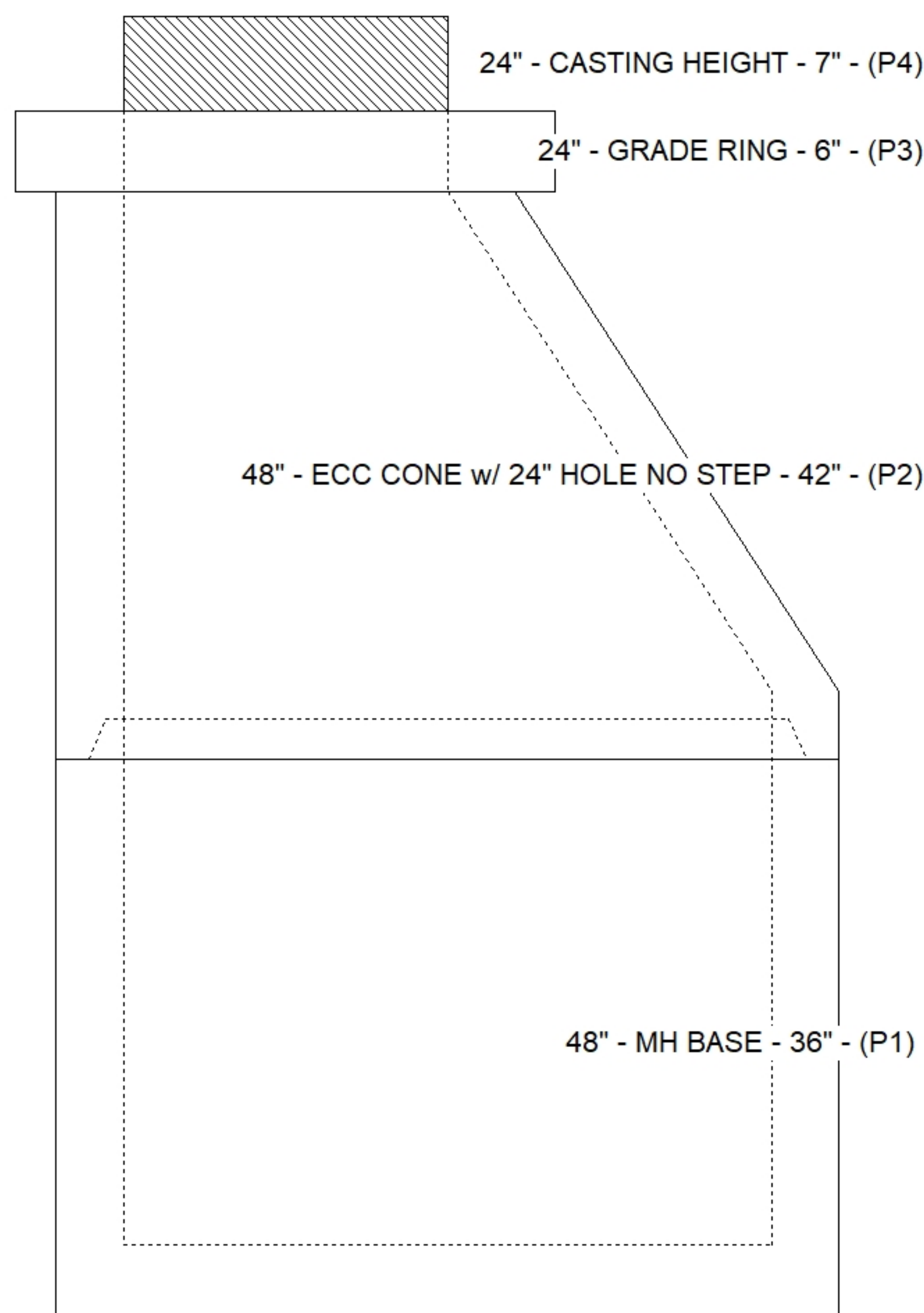
- Structure Notes:**
- JR HOE MC-375 SELF SEALING SAN BY ICAST
 - PER ASTM C478 SPECIFICATIONS.
 - CONCRETE = 4,000 PSI AT 28 DAYS.
 - REINFORCING PER ASTM A615 (GRADE 60).
 - CONE (As .12)
 - RISER/WALLS (As .12)
 - FLOOR (As .31) #5 BARS AT 12" C.C.E.W.
 - **NO STEPS****

STRUCTURE SUMMARY:

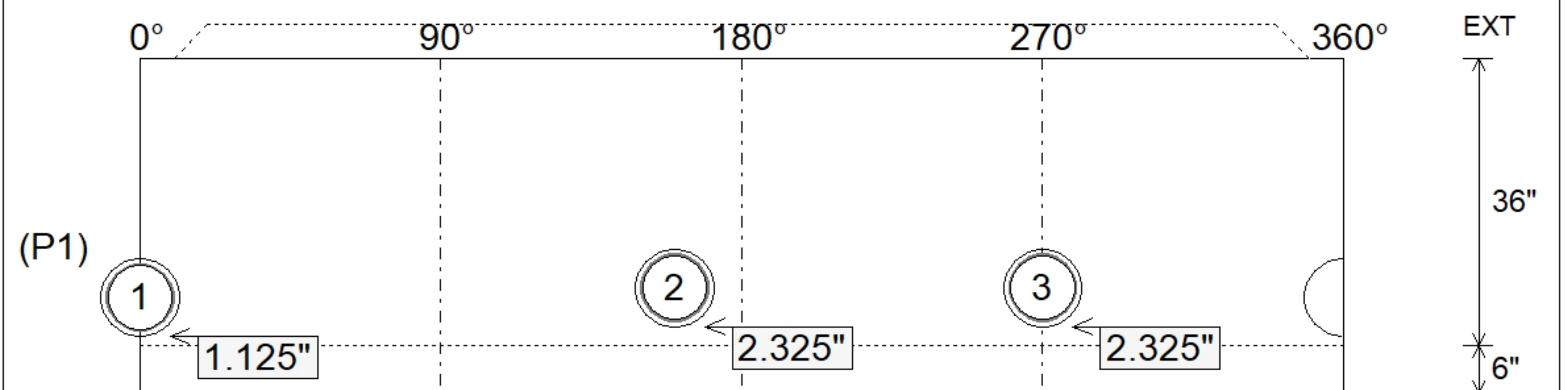
| | |
|-----------------------------------------------|----------------|
| P4) 24" - CASTING HEIGHT - 7" | 0 lb |
| P3) 24" - GRADE RING - 6" | 405 lb |
| P2) 48" - ECC CONE w/ 24" HOLE NO STEP - 42" | 3000 lb |
| P1) 48" - MH BASE - 36" | 3751 lb |
| 1) JOINT WRAP - 0.065"x6"x50' CONSEAL CS212 | 0 lb |
| 1) JOINT WRAP PRIMER - CONSEAL CS-75 (1 gal.) | 0 lb |
| 1) 48" - MH INVERT CHANNEL - FULL HEIGHT | 1440 lb |
| 1) 48" - Conseal CS-102 1.00" (Double) | 0 lb |
| 3) A-Lok - 0285 | 3 lb |
| Structure Total: | 8599 lb |



| Position | Elev | Angle | Pipe | Pipe OD | Hole | Connector | Up (") | Ref |
|----------|---------|-------|--------------|---------|-------|------------|--------|-----|
| Rim | 871.52' | | | | | | | |
| Reducer | | | | | | | | |
| Invert 1 | 864' | 0° | 8" PVC SDR35 | 8.5" | 9.75" | A-Lok 0285 | 1.125" | P1 |
| Invert 2 | 864.1' | 160° | 8" PVC SDR35 | 8.5" | 9.75" | A-Lok 0285 | 2.325" | P1 |
| Invert 3 | 864.1' | 270° | 8" PVC SDR35 | 8.5" | 9.75" | A-Lok 0285 | 2.325" | P1 |
| Invert 4 | | | | | | | | |
| Invert 5 | | | | | | | | |
| Invert 6 | | | | | | | | |
| Invert 7 | | | | | | | | |
| Invert 8 | | | | | | | | |



Default - Interior Dimensions



Submittal Drawing
 4/28/2026 11:54:11 AM

SUBMITTAL
 APPROVED BY: