

Job Name: 25-1431 - Georgetown Commons  
 Job Location: Georgetown, KY  
 Contractor: Winwater Hartford KY Co.

Plant: Beaver Dam

4/28/2026 8:55:44 AM

Tech: J. Copping

PC: A. Chambers



**Structure ID: SSMH-199**

**P1 MH048BA24**

**MH BASE**

- P4) 24" - CASTING HEIGHT - 7"
- P3) 24" - GRADE RING - 4"
- P2) 48" - ECC CONE w/ 24" HOLE NO STEP - 36"
- P1) 48" - MH BASE - 24"
- 1) JOINT WRAP - 0.065"x6"x50' CONSEAL CS212
- 1) JOINT WRAP PRIMER - CONSEAL CS-75 (1 gal.)
- 1) 48" - MH INVERT CHANNEL - FULL HEIGHT
- 1) 48" - Conseal CS-102 1.00" (Double)
- 1) A-Lok - 0285
- 1) A-Lok - 0200

- Structure Notes:**
1. JR HOE MC-375 SELF SEALING SAN BY ICAST
  2. PER ASTM C478 SPECIFICATIONS.
  3. CONCRETE = 4,000 PSI AT 28 DAYS.
  4. REINFORCING PER ASTM A615 (GRADE 60).  
 - CONE (As .12)  
 - RISER/WALLS (As .12)  
 - FLOOR (As .31) #5 BARS AT 12" C.C.E.W.
  5. \*\*NO STEPS\*\*

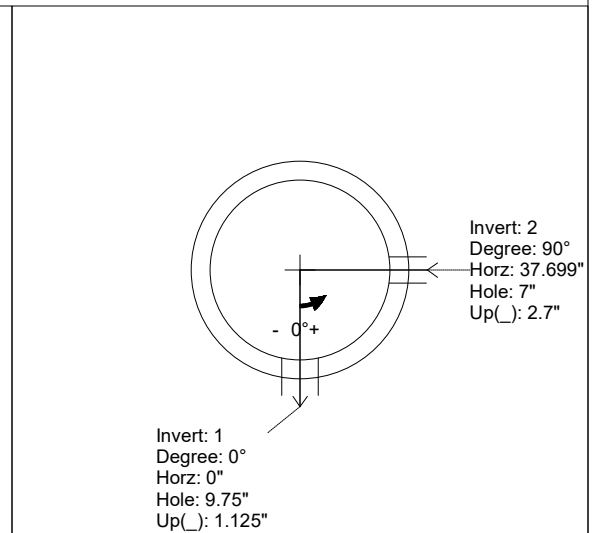
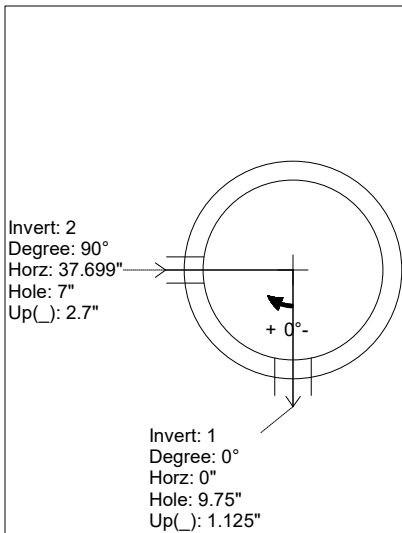
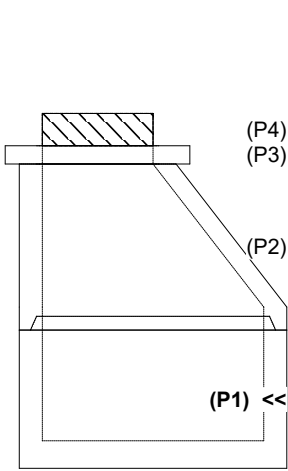
Structure Total: 7671 lb

Rim: 874' Rim to Invert: 5.75' Slack: 0" Sump: 2" Step Position:

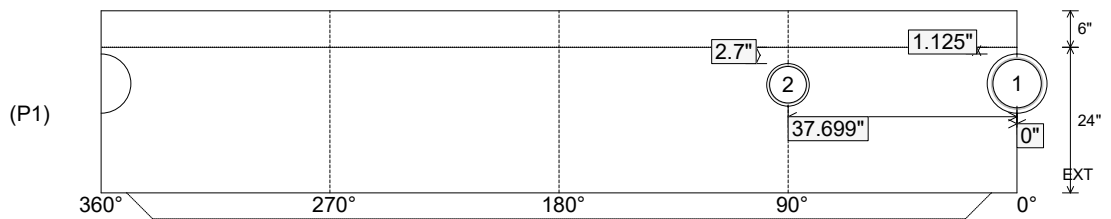
| Position | Elev    | Angle | Ext. (cw) | Pipe         | Pipe OD | Connector  | Hole  | Horz Size | Up ( ) | Offset |
|----------|---------|-------|-----------|--------------|---------|------------|-------|-----------|--------|--------|
| Invert 1 | 868.25' | 0°    | 0"        | 8" PVC SDR35 | 8.5"    | A-Lok 0285 | 9.75" | 9.818"    | 1.125" | 0"     |
| Invert 2 | 868.35' | 90°   | 45.553"   | 6" PVC SDR35 | 6.25"   | A-Lok 0200 | 7"    | 7.025"    | 2.7"   | 0"     |
| Invert 3 |         |       |           |              |         |            |       |           |        |        |
| Invert 4 |         |       |           |              |         |            |       |           |        |        |
| Invert 5 |         |       |           |              |         |            |       |           |        |        |
| Invert 6 |         |       |           |              |         |            |       |           |        |        |
| Invert 7 |         |       |           |              |         |            |       |           |        |        |
| Invert 8 |         |       |           |              |         |            |       |           |        |        |

RIGHT-SIDE UP VIEW (int. dimensions)

UPSIDE-DOWN VIEW (int. dimensions)



INSIDE WALL DIMENSIONS



Coating (Int):  
 Coating (Ext):

Seam Up: Tongue  
 Seam Dn: n/a

Wall Thickness: 5"  
 Floor Height: 6"

Height (Int): 24"  
 Height (Ext): 30"

Weight (Net): 2959 lb  
 Volume (Net): 0.76cu.yd

Job Name: 25-1431 - Georgetown Commons  
 Job Location: Georgetown, KY  
 Contractor: Winwater Hartford KY Co.

Plant: Beaver Dam

4/28/2026 8:55:44 AM

Tech: J. Copping

PC: A. Chambers



**Structure ID: SSMH-199**

**P1 MH048BA24**

**MH BASE**

- P4) 24" - CASTING HEIGHT - 7"
- P3) 24" - GRADE RING - 4"
- P2) 48" - ECC CONE w/ 24" HOLE NO STEP - 36"
- P1) 48" - MH BASE - 24"
- 1) JOINT WRAP - 0.065"x6"x50' CONSEAL CS212
- 1) JOINT WRAP PRIMER - CONSEAL CS-75 (1 gal.)
- 1) 48" - MH INVERT CHANNEL - FULL HEIGHT
- 1) 48" - Conseal CS-102 1.00" (Double)
- 1) A-Lok - 0285
- 1) A-Lok - 0200

- Structure Notes:**
1. JR HOE MC-375 SELF SEALING SAN BY ICAST
  2. PER ASTM C478 SPECIFICATIONS.
  3. CONCRETE = 4,000 PSI AT 28 DAYS.
  4. REINFORCING PER ASTM A615 (GRADE 60).  
 - CONE (As .12)  
 - RISER/WALLS (As .12)  
 - FLOOR (As .31) #5 BARS AT 12" C.C.E.W.
  5. \*\*NO STEPS\*\*

Structure Total: 7671 lb

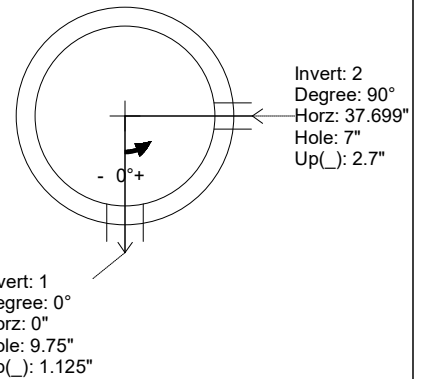
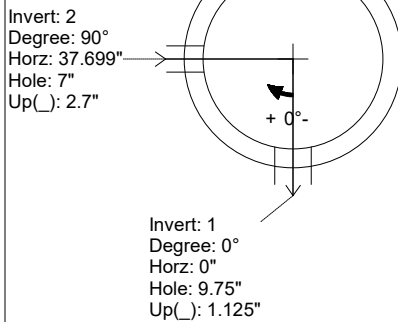
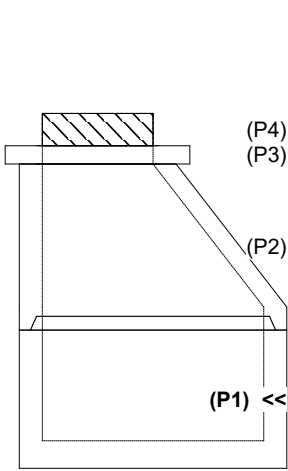
**INVERT CHANNEL DRAWING  
 FULL HEIGHT INVERT**

Rim: 874' Rim to Invert: 5.75' Slack: 0" Sump: 2" Step Position:

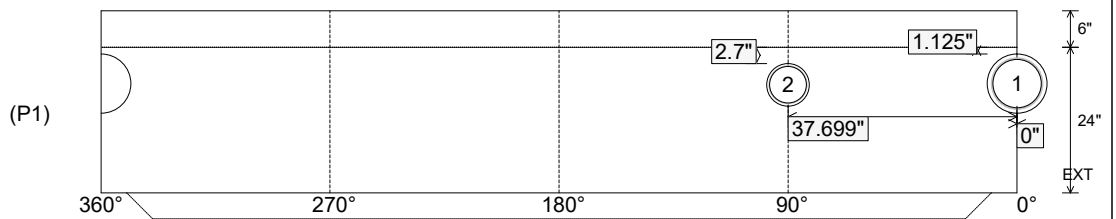
| Position | Elev    | Angle | Ext. (cw) | Pipe         | Pipe OD | Connector  | Hole  | Horz Size | Up ( ) | Offset |
|----------|---------|-------|-----------|--------------|---------|------------|-------|-----------|--------|--------|
| Invert 1 | 868.25' | 0°    | 0"        | 8" PVC SDR35 | 8.5"    | A-Lok 0285 | 9.75" | 9.818"    | 1.125" | 0"     |
| Invert 2 | 868.35' | 90°   | 45.553"   | 6" PVC SDR35 | 6.25"   | A-Lok 0200 | 7"    | 7.025"    | 2.7"   | 0"     |
| Invert 3 |         |       |           |              |         |            |       |           |        |        |
| Invert 4 |         |       |           |              |         |            |       |           |        |        |
| Invert 5 |         |       |           |              |         |            |       |           |        |        |
| Invert 6 |         |       |           |              |         |            |       |           |        |        |
| Invert 7 |         |       |           |              |         |            |       |           |        |        |
| Invert 8 |         |       |           |              |         |            |       |           |        |        |

RIGHT-SIDE UP VIEW (int. dimensions)

UPSIDE-DOWN VIEW (int. dimensions)



INSIDE WALL DIMENSIONS



Coating (Int):  
 Coating (Ext):

Seam Up: Tongue  
 Seam Dn: n/a

Wall Thickness: 5"  
 Floor Height: 6"

Height (Int): 24"  
 Height (Ext): 30"

Weight (Net): 2959 lb  
 Volume (Net): 0.76cu.yd