

**Job Name: 25-1431 - Georgetown Commons**  
**Job Location: Georgetown, KY**  
**Contractor: Winwater Hartford KY Co.**

PC: A. Chambers  
 TECH: J. Coppage  
 Plant: Beaver Dam



Structure ID: **SSMH-198**

Spec: Sanitary  
 Type: SAN.MH  
 Size: 48"

Rim: 872.61'  
 Invert: 866.77'  
 Rim to Invert: 5.84'

Sump: 2"  
 Floor (Top): 866.603'  
 Floor Height: 6"

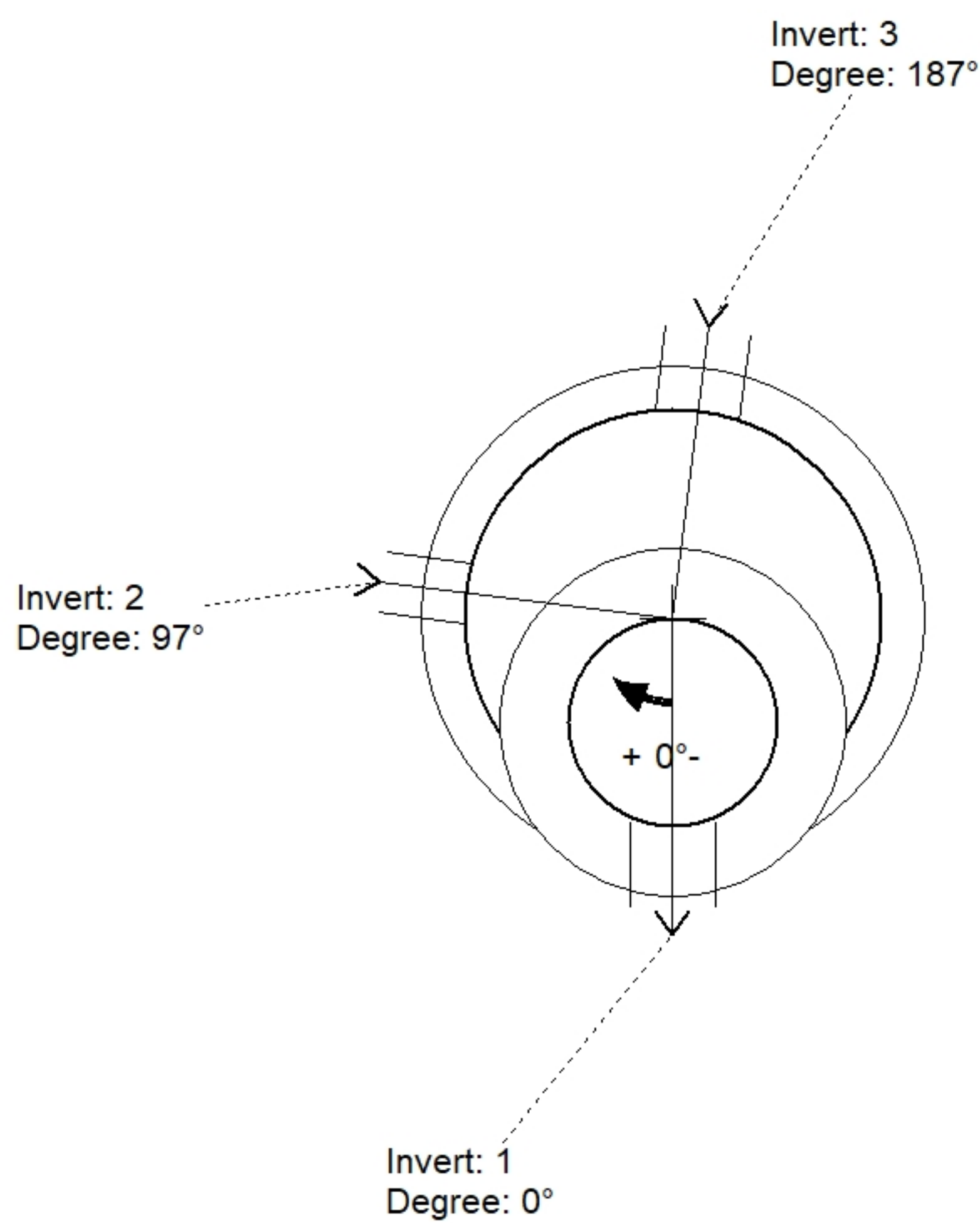
Floor (Bot): 866.103'  
 Overall Height: 6.417'  
 Slack: 1.08"

**Structure Notes:**

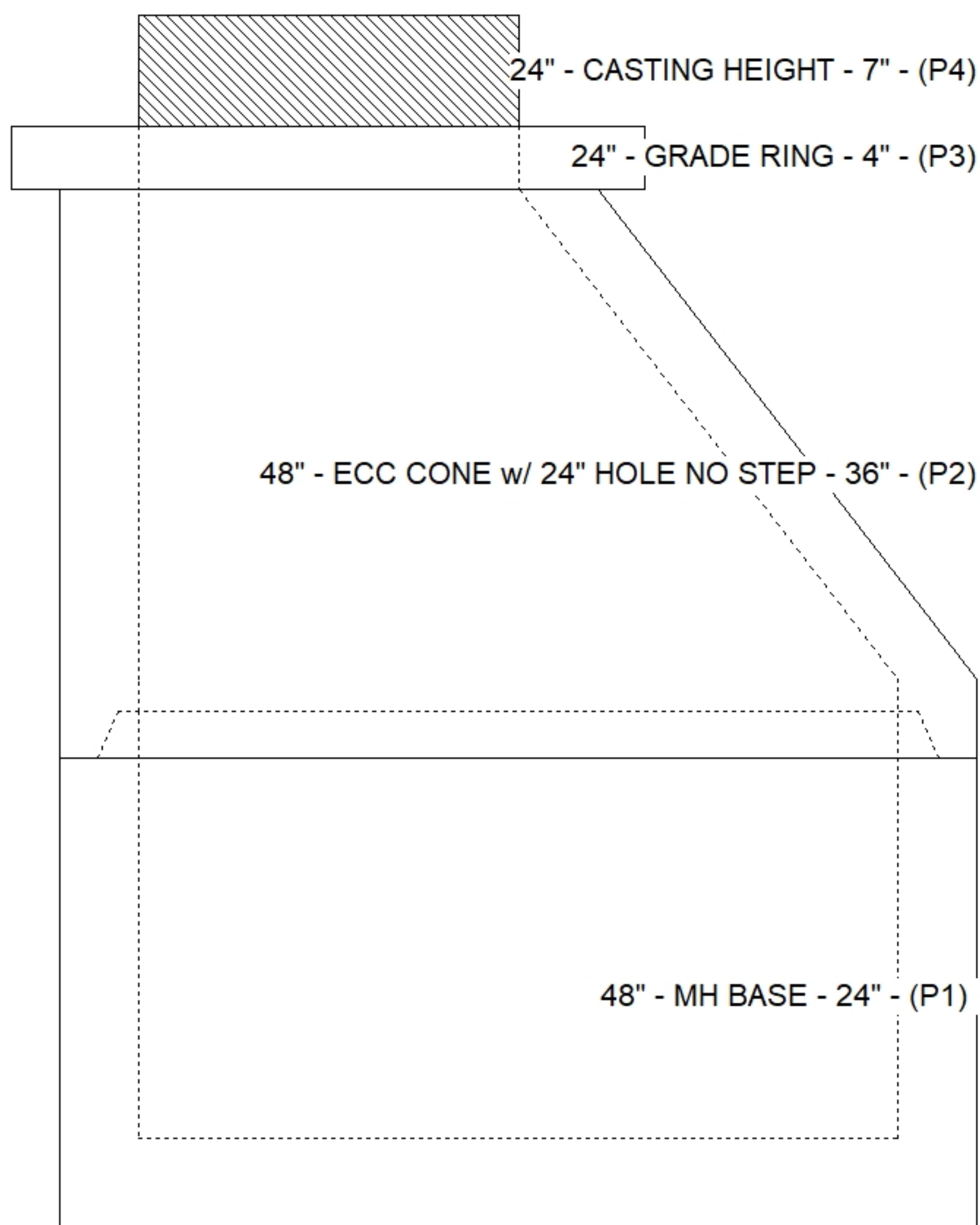
1. JR HOE MC-375 SELF SEALING SAN BY ICAST
2. PER ASTM C478 SPECIFICATIONS.
3. CONCRETE = 4,000 PSI AT 28 DAYS.
4. REINFORCING PER ASTM A615 (GRADE 60).  
 - CONE (As .12)  
 - RISER/WALLS (As .12)  
 - FLOOR (As .31) #5 BARS AT 12" C.C.E.W.
5. **\*\*NO STEPS\*\***

**STRUCTURE SUMMARY:**

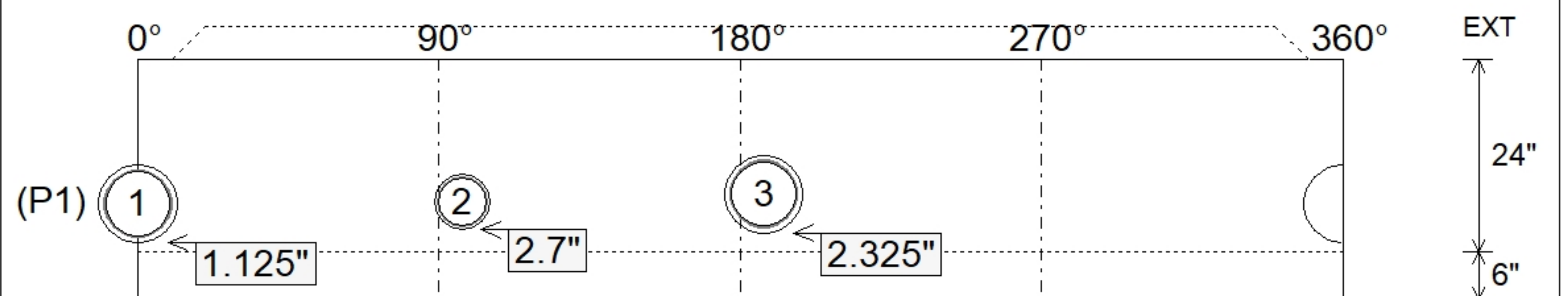
P4) 24" - CASTING HEIGHT - 7"	0 lb
P3) 24" - GRADE RING - 4"	270 lb
P2) 48" - ECC CONE w/ 24" HOLE NO STEP - 36"	3000 lb
P1) 48" - MH BASE - 24"	2928 lb
1) JOINT WRAP - 0.065"x6"x50' CONSEAL CS212	0 lb
1) JOINT WRAP PRIMER - CONSEAL CS-75 (1 gal.)	0 lb
1) 48" - MH INVERT CHANNEL - FULL HEIGHT	1440 lb
1) 48" - Conseal CS-102 1.00" (Double)	0 lb
2) A-Lok - 0285	2 lb
1) A-Lok - 0200	1 lb
<b>Structure Total:</b>	<b>7641 lb</b>



Position	Elev	Angle	Pipe	Pipe OD	Hole	Connector	Up (")	Ref
Rim	872.61'							
Reducer								
Invert 1	866.77'	0°	8" PVC SDR35	8.5"	9.75"	A-Lok 0285	1.125"	P1
Invert 2	866.87'	97°	6" PVC SDR35	6.25"	7"	A-Lok 0200	2.7"	P1
Invert 3	866.87'	187°	8" PVC SDR35	8.5"	9.75"	A-Lok 0285	2.325"	P1
Invert 4								
Invert 5								
Invert 6								
Invert 7								
Invert 8								



**Default - Interior Dimensions**



Submittal Drawing  
 4/28/2026 11:54:09 AM

SUBMITTAL  
 APPROVED BY: