

Job Name: 25-1431 - Georgetown Commons
Job Location: Georgetown, KY
Contractor: Winwater Hartford KY Co.

PC: A. Chambers
 TECH: J. Coppage
 Plant: Beaver Dam

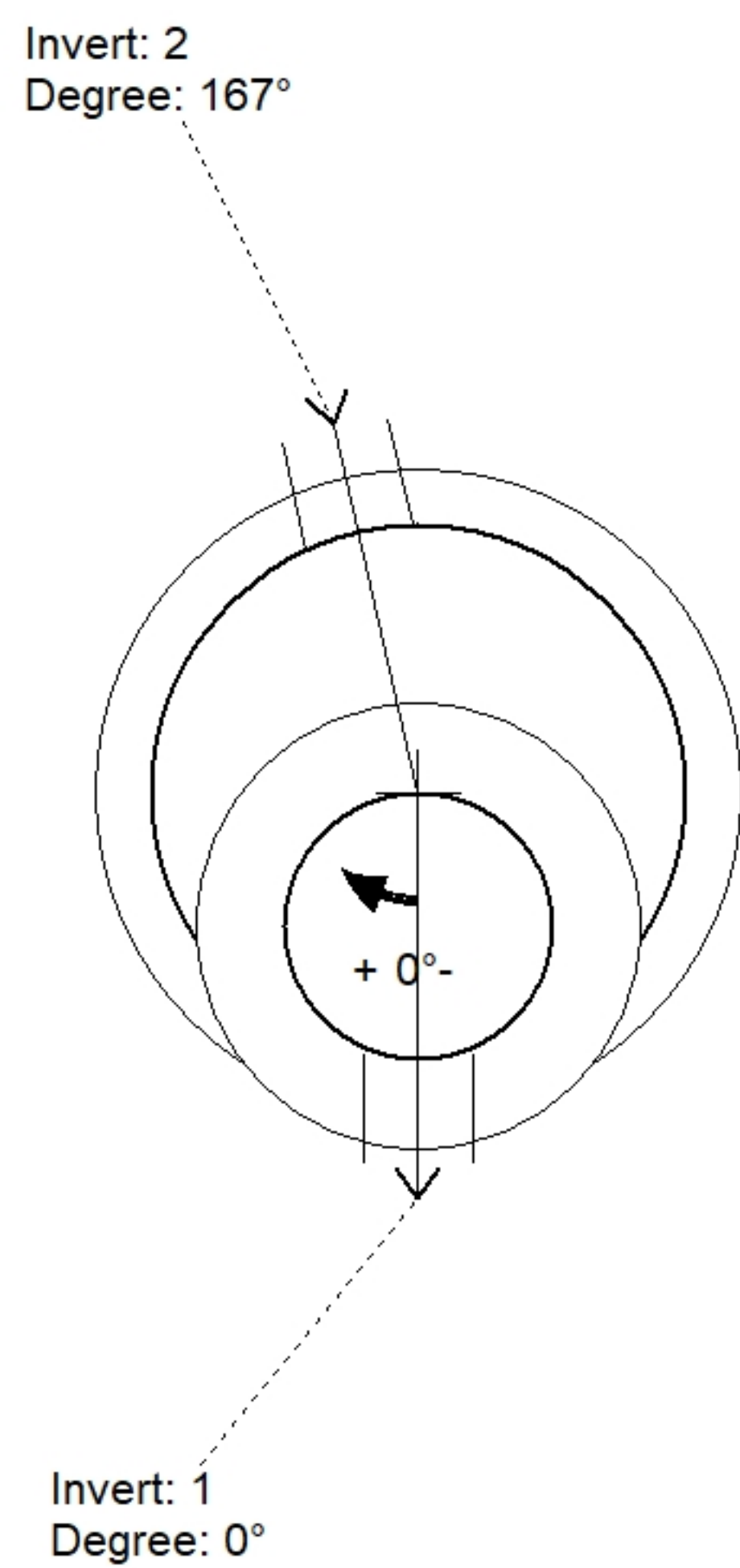


Structure ID: **SSMH-197**
 Spec: Sanitary Rim: 877.07'
 Type: SAN.MH Invert: 864.8' Sump: 2"
 Size: 48" Floor (Top): 864.633' Floor (Bot): 863.967'
 Rim to Invert: 12.27' Floor Height: 8" Overall Height: 13.083'
 Slack: 0.24"

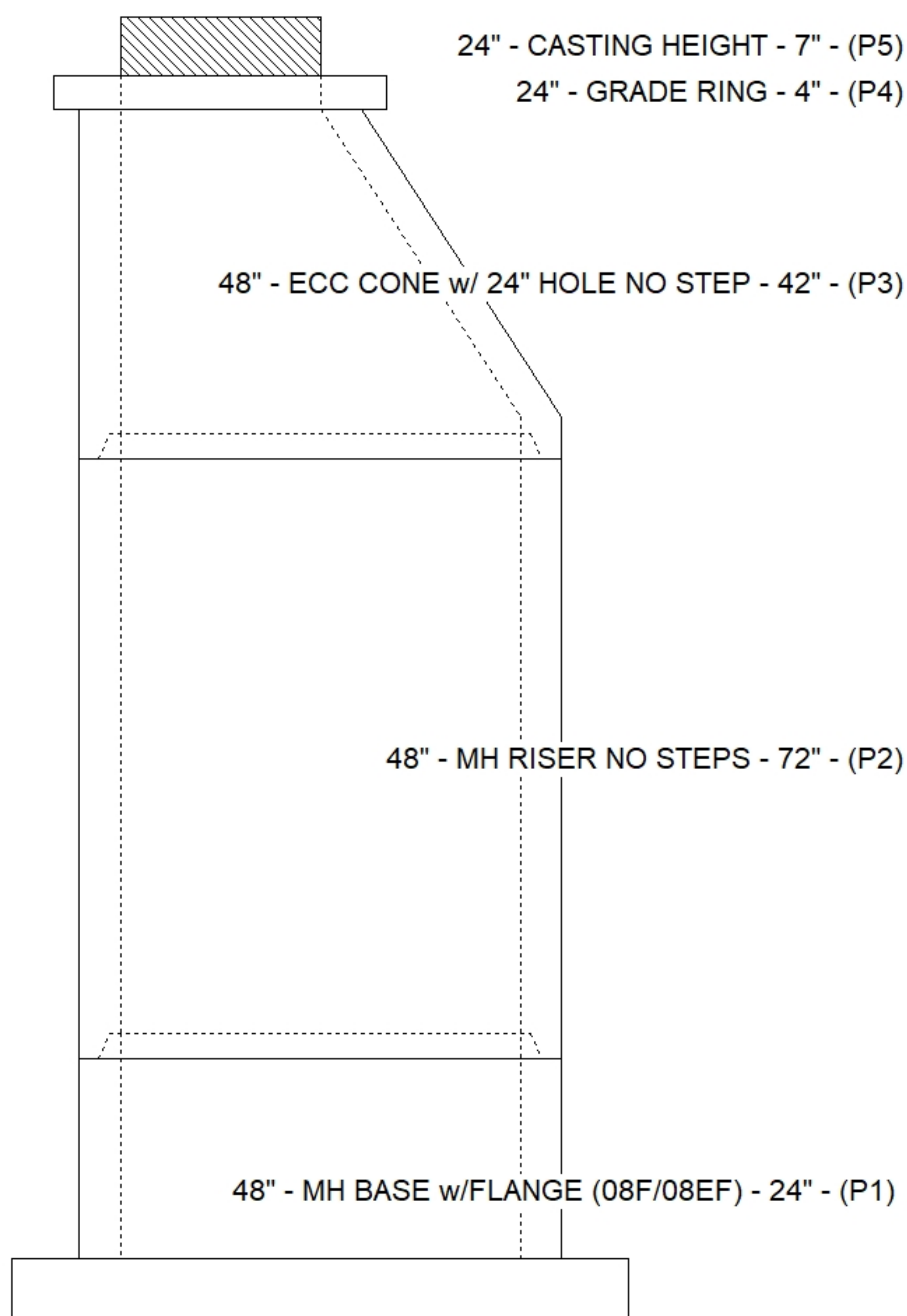
- Structure Notes:**
- JR HOE MC-375 SELF SEALING SAN BY ICAST
 - PER ASTM C478 SPECIFICATIONS.
 - CONCRETE = 4,000 PSI AT 28 DAYS.
 - REINFORCING PER ASTM A615 (GRADE 60).
 - CONE (As .12)
 - RISER/WALLS (As .12)
 - FLOOR (As .31) #5 BARS AT 12" C.C.E.W.
 - **NO STEPS****

STRUCTURE SUMMARY:

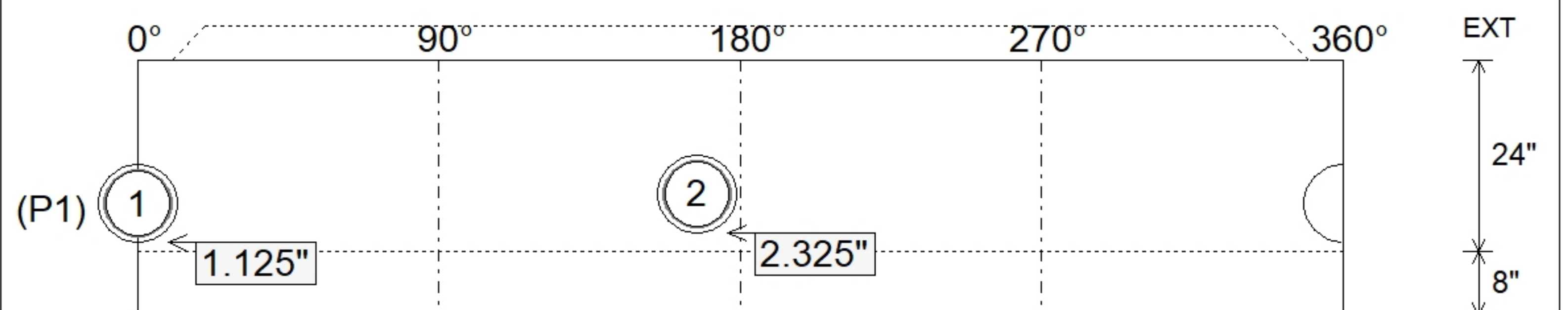
P5) 24" - CASTING HEIGHT - 7"	0 lb
P4) 24" - GRADE RING - 4"	270 lb
P3) 48" - ECC CONE w/ 24" HOLE NO STEP - 42"	3000 lb
P2) 48" - MH RISER NO STEPS - 72"	5030 lb
P1) 48" - MH BASE w/FLANGE (08F/08EF) - 24"	4501 lb
1) JOINT WRAP - 0.065"x6"x50' CONSEAL CS212	0 lb
1) JOINT WRAP PRIMER - CONSEAL CS-75 (1 gal.)	0 lb
1) 48" - MH INVERT CHANNEL - FULL HEIGHT	1440 lb
2) 48" - Conseal CS-102 1.00" (Double)	0 lb
2) A-Lok - 0285	2 lb
Structure Total:	14242 lb



Position	Elev	Angle	Pipe	Pipe OD	Hole	Connector	Up (")	Ref
Rim	877.07'							
Reducer								
Invert 1	864.8'	0°	8" PVC SDR35	8.5"	9.75"	A-Lok 0285	1.125"	P1
Invert 2	864.9'	167°	8" PVC SDR35	8.5"	9.75"	A-Lok 0285	2.325"	P1
Invert 3								
Invert 4								
Invert 5								
Invert 6								
Invert 7								
Invert 8								



Default - Interior Dimensions



Submittal Drawing
 4/28/2026 11:54:09 AM

SUBMITTAL
 APPROVED BY: