

**Job Name: 25-1431 - Georgetown Commons**  
**Job Location: Georgetown, KY**  
**Contractor: Winwater Hartford KY Co.**

PC: A. Chambers  
 TECH: J. Coppage  
 Plant: Beaver Dam



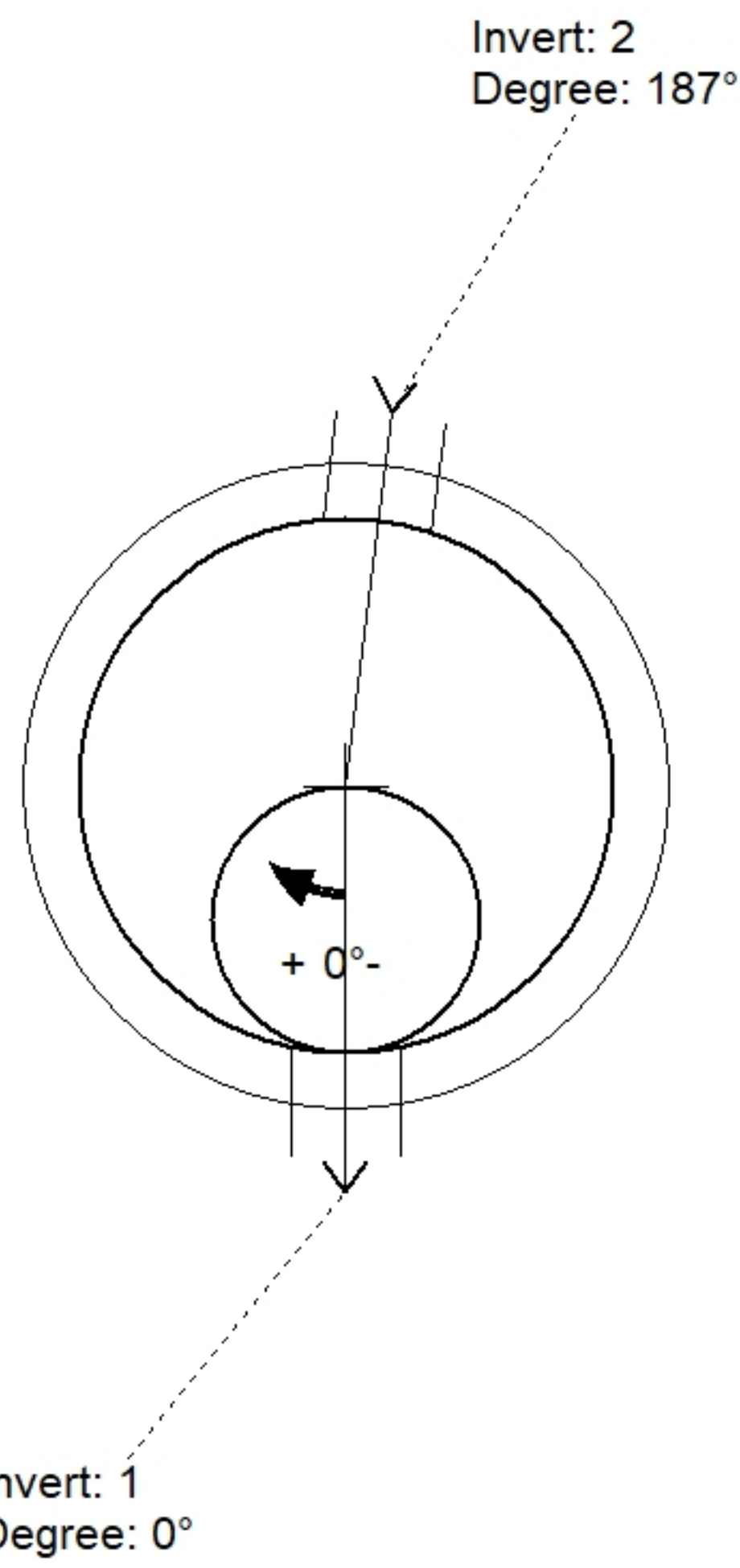
Structure ID: **SSMH-196**  
 Spec: Sanitary Rim: 871.98'  
 Type: SAN.MH Invert: 862.9' Sump: 2"  
 Size: 48" Floor (Top): 862.733' Floor (Bot): 862.233'  
 Rim to Invert: 9.08' Floor Height: 6" Overall Height: 9.583'  
 Slack: 1.96"

**Structure Notes:**

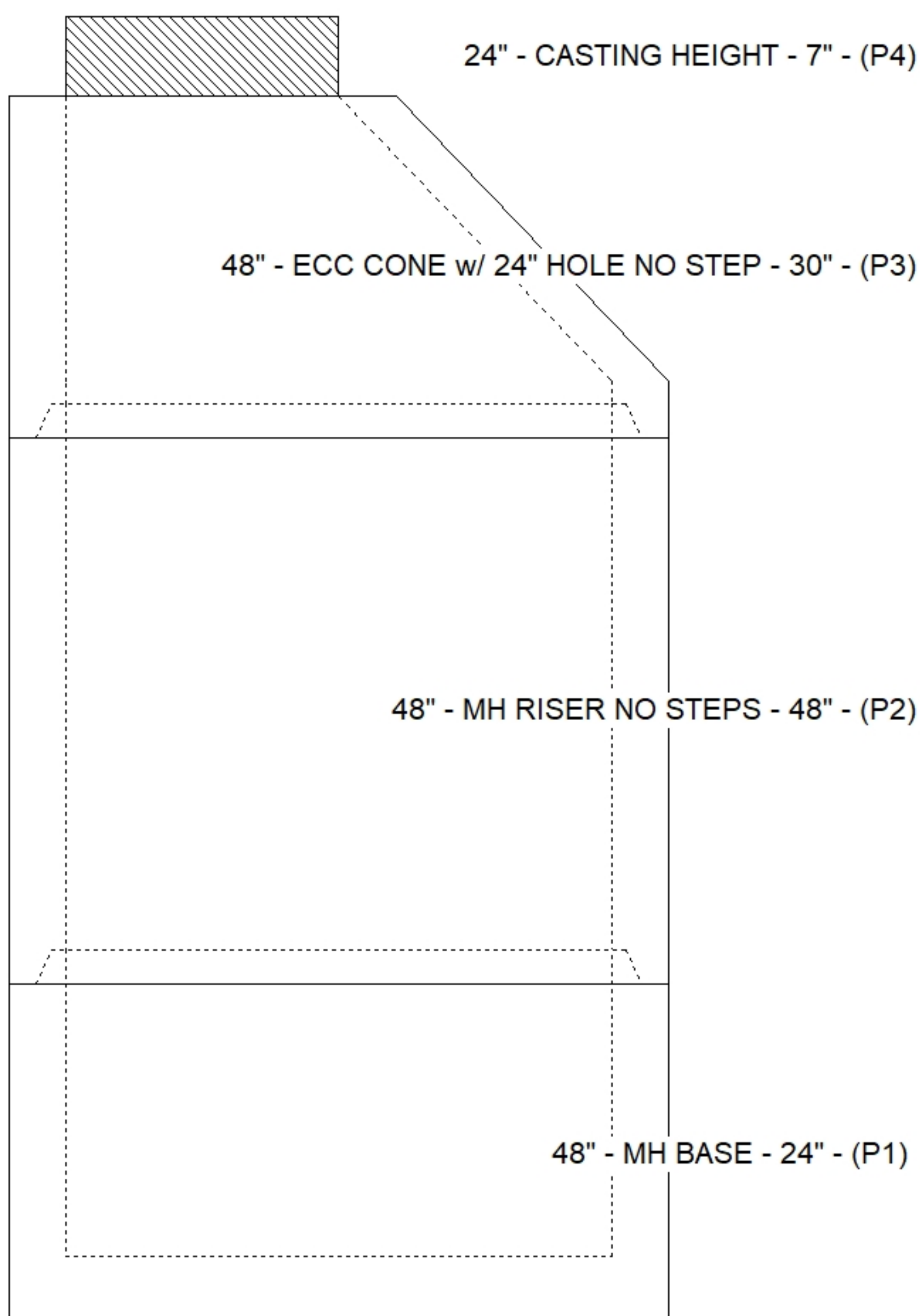
1. JR HOE MC-375 SELF SEALING SAN BY ICAST
2. PER ASTM C478 SPECIFICATIONS.
3. CONCRETE = 4,000 PSI AT 28 DAYS.
4. REINFORCING PER ASTM A615 (GRADE 60).  
 - CONE (As .12)  
 - RISER/WALLS (As .12)  
 - FLOOR (As .31) #5 BARS AT 12" C.C.E.W.
5. **\*\*NO STEPS\*\***

**STRUCTURE SUMMARY:**

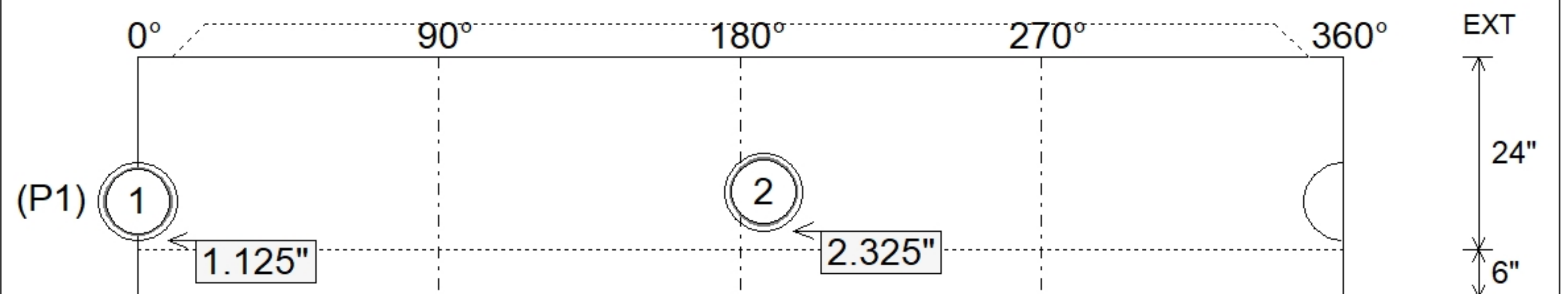
P4) 24" - CASTING HEIGHT - 7"	0 lb
P3) 48" - ECC CONE w/ 24" HOLE NO STEP - 30"	2050 lb
P2) 48" - MH RISER NO STEPS - 48"	3353 lb
P1) 48" - MH BASE - 24"	2944 lb
1) JOINT WRAP - 0.065"x6"x50' CONSEAL CS212	0 lb
1) JOINT WRAP PRIMER - CONSEAL CS-75 (1 gal.)	0 lb
1) 48" - MH INVERT CHANNEL - FULL HEIGHT	1440 lb
2) 48" - Conseal CS-102 1.00" (Double)	0 lb
2) A-Lok - 0285	2 lb
<b>Structure Total:</b>	<b>9789 lb</b>



Position	Elev	Angle	Pipe	Pipe OD	Hole	Connector	Up (")	Ref
Rim	871.98'							
Reducer								
Invert 1	862.9'	0°	8" PVC SDR35	8.5"	9.75"	A-Lok 0285	1.125"	P1
Invert 2	863'	187°	8" PVC SDR35	8.5"	9.75"	A-Lok 0285	2.325"	P1
Invert 3								
Invert 4								
Invert 5								
Invert 6								
Invert 7								
Invert 8								



**Default - Interior Dimensions**



Submittal Drawing  
 4/28/2026 11:54:08 AM

SUBMITTAL  
 APPROVED BY: