

Job Name: 25-1431 - Georgetown Commons
Job Location: Georgetown, KY
Contractor: Winwater Hartford KY Co.

PC: A. Chambers
 TECH: J. Coppage
 Plant: Beaver Dam



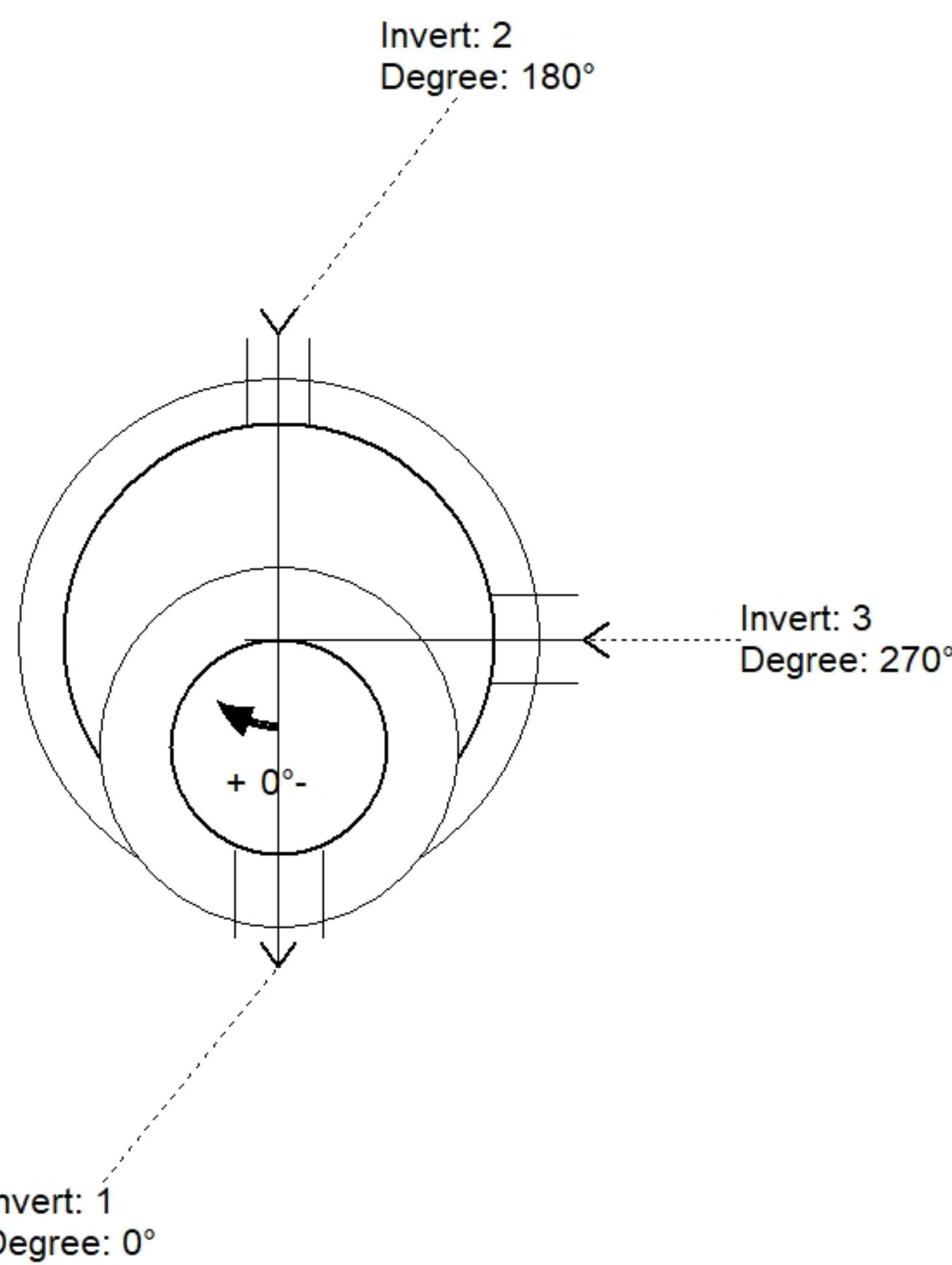
Structure ID: **SSMH-195**
 Spec: Sanitary Rim: 870.02' Sump: 2" Floor (Bot): 860.143'
 Type: SAN.MH Invert: 860.81' Floor (Top): 860.643' Overall Height: 9.833'
 Size: 48" Rim to Invert: 9.21' Floor Height: 6" Slack: 0.52"

Structure Notes:

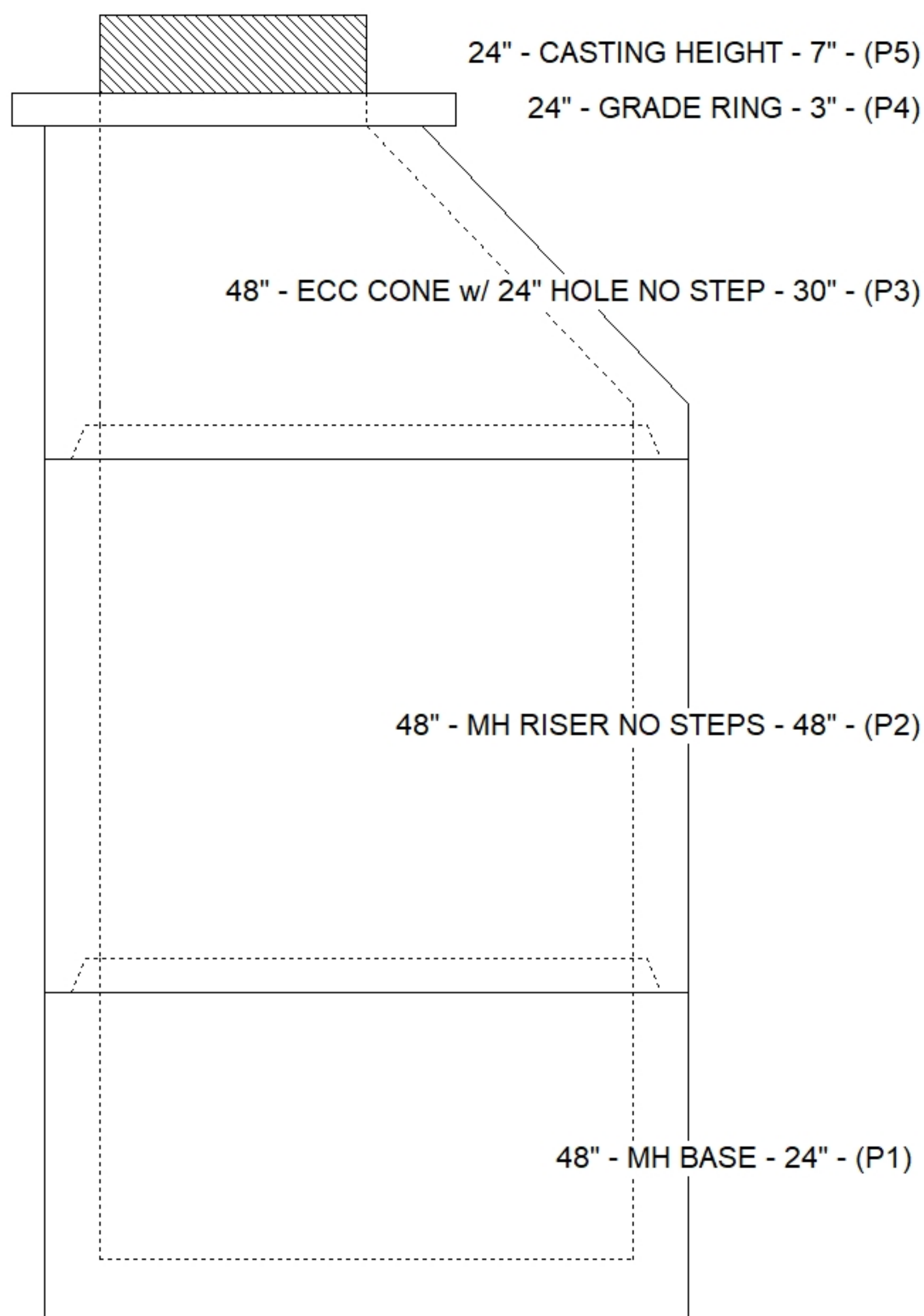
1. JR HOE MC-375 SELF SEALING SAN BY ICAST
2. PER ASTM C478 SPECIFICATIONS.
3. CONCRETE = 4,000 PSI AT 28 DAYS.
4. REINFORCING PER ASTM A615 (GRADE 60).
 - CONE (As .12)
 - RISER/WALLS (As .12)
 - FLOOR (As .31) #5 BARS AT 12" C.C.E.W.
5. ****NO STEPS****

STRUCTURE SUMMARY:

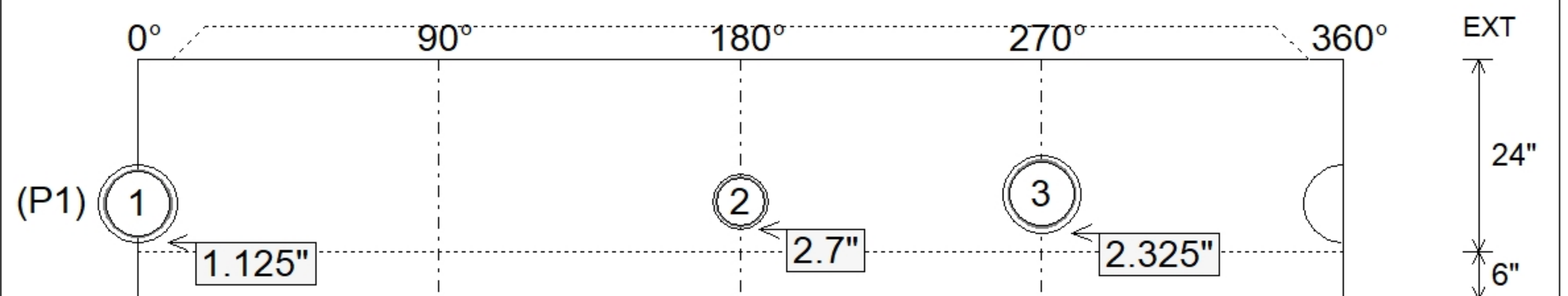
P5) 24" - CASTING HEIGHT - 7"	0 lb
P4) 24" - GRADE RING - 3"	202 lb
P3) 48" - ECC CONE w/ 24" HOLE NO STEP - 30"	2050 lb
P2) 48" - MH RISER NO STEPS - 48"	3353 lb
P1) 48" - MH BASE - 24"	2928 lb
1) JOINT WRAP - 0.065"x6"x50' CONSEAL CS212	0 lb
1) JOINT WRAP PRIMER - CONSEAL CS-75 (1 gal.)	0 lb
1) 48" - MH INVERT CHANNEL - FULL HEIGHT	1440 lb
2) 48" - Conseal CS-102 1.00" (Double)	0 lb
2) A-Lok - 0285	2 lb
1) A-Lok - 0200	1 lb
Structure Total:	9976 lb



Position	Elev	Angle	Pipe	Pipe OD	Hole	Connector	Up (")	Ref
Rim	870.02'							
Reducer								
Invert 1	860.81'	0°	8" PVC SDR35	8.5"	9.75"	A-Lok 0285	1.125"	P1
Invert 2	860.91'	180°	6" PVC SDR35	6.25"	7"	A-Lok 0200	2.7"	P1
Invert 3	860.91'	270°	8" PVC SDR35	8.5"	9.75"	A-Lok 0285	2.325"	P1
Invert 4								
Invert 5								
Invert 6								
Invert 7								
Invert 8								



Default - Interior Dimensions



Submittal Drawing
 4/28/2026 11:54:08 AM

SUBMITTAL
 APPROVED BY: