

Job Name: 25-1431 - Georgetown Commons  
 Job Location: Georgetown, KY  
 Contractor: Winwater Hartford KY Co.

Plant: Beaver Dam

4/23/2026 11:30:27 AM

Tech: J. Copping

PC: A. Chambers



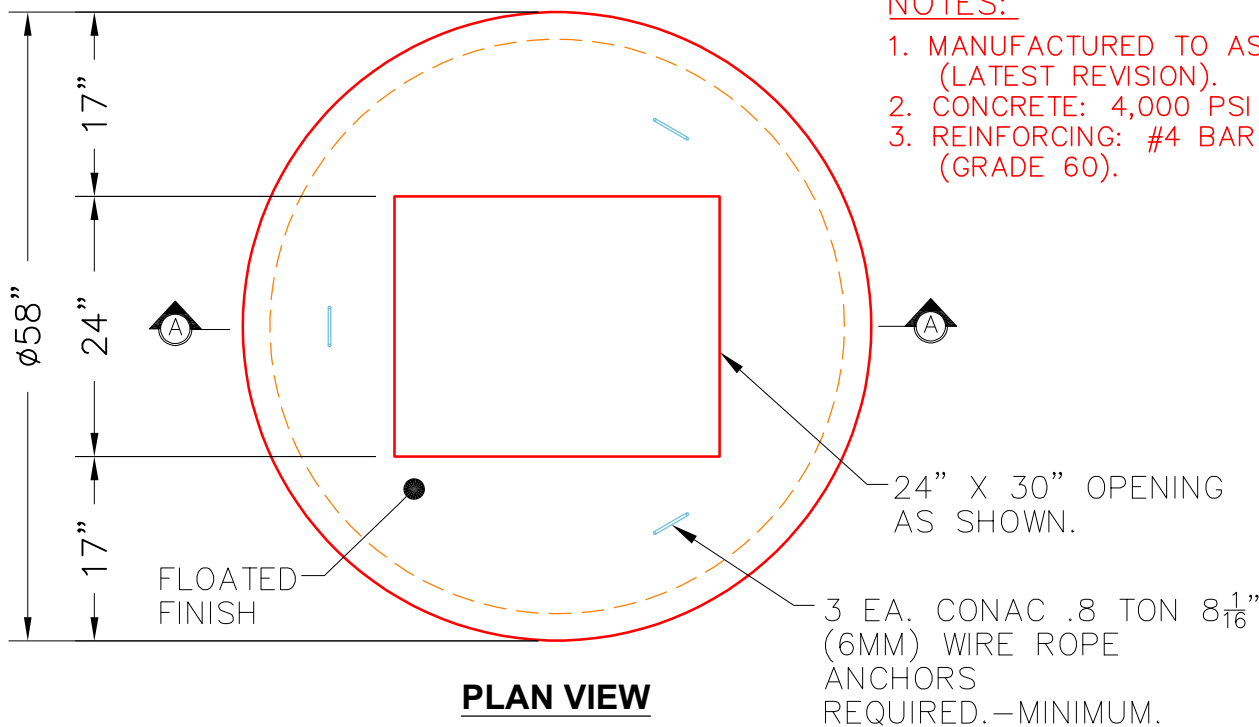
**Structure ID: SCI 9**

**P2 MH048LD12-24X30RECT**

**MH FLAT TOP w/24"x30" Hole**

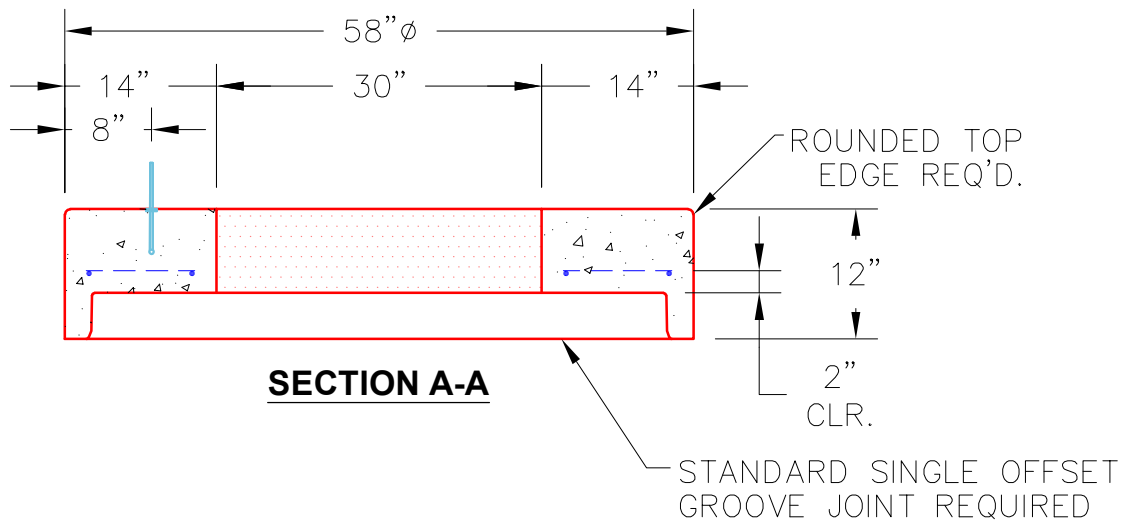
- P3) 24" x 30" - CASTING HEIGHT - 6"
- P2) 48" - MH FLAT TOP w/24"x30" Hole - 12"
- P1) 48" - MH BASE - 42"
- 1) CASTING - HOE 360 Set (F/G/H)
- 1) 48" - Conseal CS-102 1.00"
- 1) 24" x 30" - Conseal CS-102 1.00"
- 2) Hole - 18
- 3) MH Step ML-10-TDS-NCR - 10"

0 lb	<b>Structure Notes:</b>
1935 lb	1. JR HOE HOE-360 PROVIDED BY ICAST.
4046 lb	2. PER ASTM C478 SPECIFICATIONS.
362 lb	3. CONCRETE = 4,000 PSI AT 28 DAYS.
0 lb	4. REINFORCING PER ASTM A615 (GRADE 60).
0 lb	- TOP SLAB (As .62) #5 BARS AT 6" C.C.E.W..
0 lb	- RISER/WALLS (As .12)
0 lb	- FLOOR (As .31) #5 BARS AT 12" C.C.E.W.
-----	
Structure Total:	6344 lb



**NOTES:**

1. MANUFACTURED TO ASTM C-478 (LATEST REVISION).
2. CONCRETE: 4,000 PSI AT 28 DAYS.
3. REINFORCING: #4 BAR @ 10" O.C. E.W. (GRADE 60).



Coating (Int): Coating (Ext):	Seam Up: Flat Seam Dn: Groove	Wall Thickness: 5"	Height (Ext): 12"	Weight (Net): 1935 lb Volume (Net): 0.49cu.yd
----------------------------------	----------------------------------	--------------------	-------------------	--