

Job Name: 25-1431 - Georgetown Commons
 Job Location: Georgetown, KY
 Contractor: Winwater Hartford KY Co.

Plant: Beaver Dam

4/23/2026 11:30:39 AM

Tech: J. Coppage

PC: A. Chambers



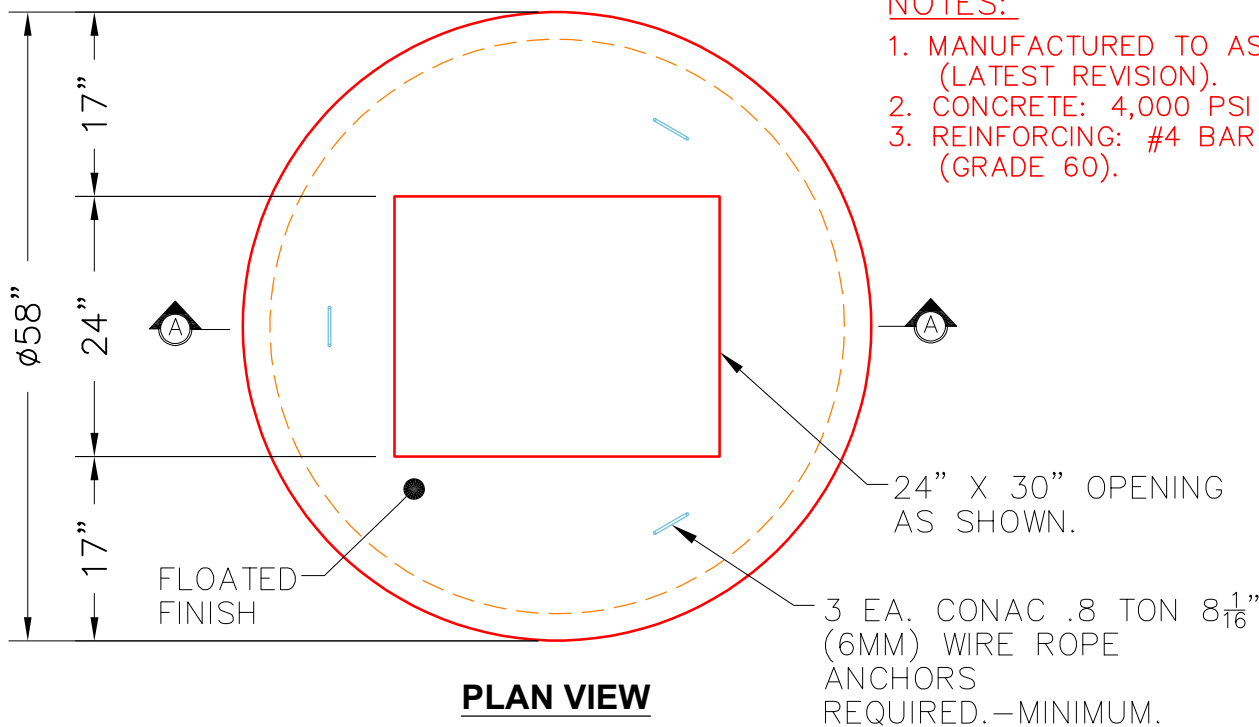
Structure ID: SCI 51

P2 MH048LD12-24X30RECT

MH FLAT TOP w/24"x30" Hole

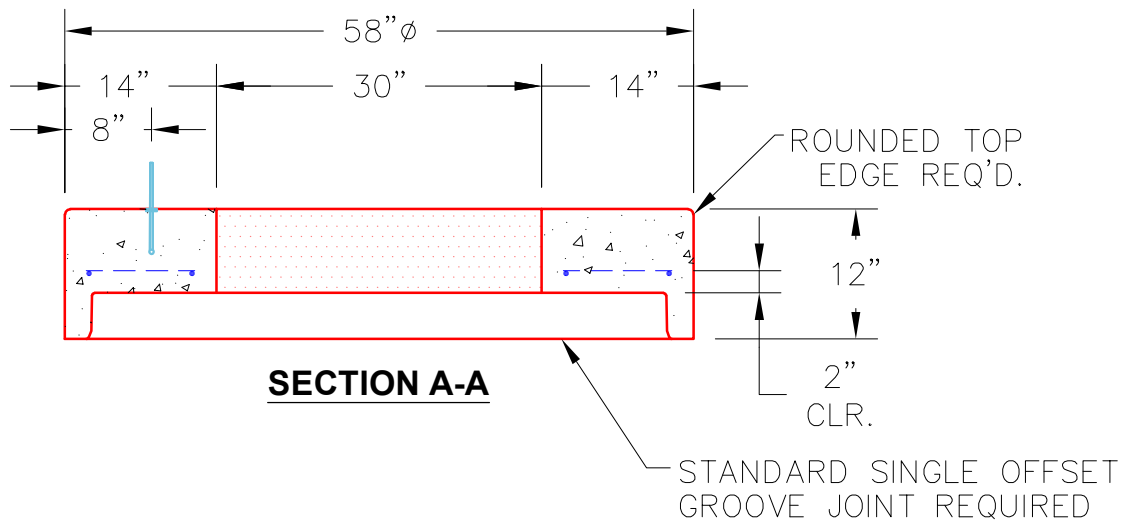
- P3) 24" x 30" - CASTING HEIGHT - 6"
- P2) 48" - MH FLAT TOP w/24"x30" Hole - 12"
- P1) 48" - MH BASE - 66"
- 1) CASTING - HOE 360 Set (F/G/H)
- 1) 48" - Conseal CS-102 1.00"
- 1) 24" x 30" - Conseal CS-102 1.00"
- 2) Hole - 30
- 5) MH Step ML-10-TDS-NCR - 10"

| | |
|------------------|---|
| 0 lb | Structure Notes: |
| 1935 lb | 1. JR HOE HOE-360 PROVIDED BY ICAST. |
| 5309 lb | 2. PER ASTM C478 SPECIFICATIONS. |
| 362 lb | 3. CONCRETE = 4,000 PSI AT 28 DAYS. |
| 0 lb | 4. REINFORCING PER ASTM A615 (GRADE 60). |
| 0 lb | - TOP SLAB (As .62) #5 BARS AT 6" C.C.E.W.. |
| 0 lb | - RISER/WALLS (As .12) |
| 0 lb | - FLOOR (As .31) #5 BARS AT 12" C.C.E.W. |
| ----- | |
| Structure Total: | 7606 lb |



NOTES:

1. MANUFACTURED TO ASTM C-478 (LATEST REVISION).
2. CONCRETE: 4,000 PSI AT 28 DAYS.
3. REINFORCING: #4 BAR @ 10" O.C. E.W. (GRADE 60).



| | | | | |
|----------------------------------|----------------------------------|--------------------|-------------------|--|
| Coating (Int): Coating (Ext): | Seam Up: Flat Seam Dn: Groove | Wall Thickness: 5" | Height (Ext): 12" | Weight (Net): 1935 lb Volume (Net): 0.49cu.yd |
|----------------------------------|----------------------------------|--------------------|-------------------|--|