

Job Name: 25-1431 - Georgetown Commons
 Job Location: Georgetown, KY
 Contractor: Winwater Hartford KY Co.

Plant: Beaver Dam
 4/23/2026 11:30:26 AM

Tech: J. Coppage
 PC: A. Chambers



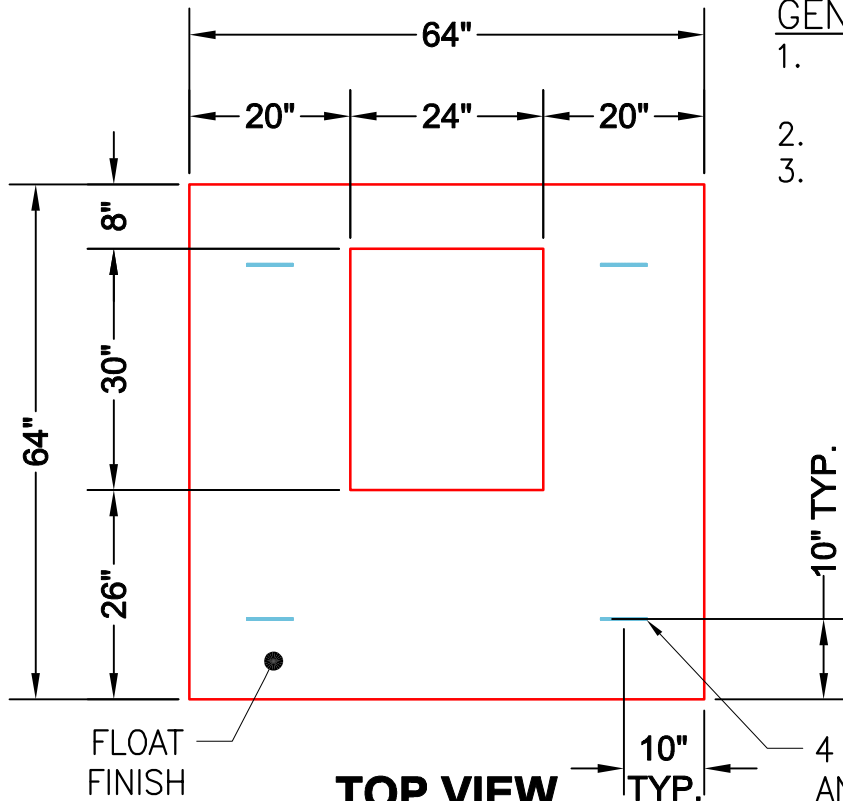
Structure ID: SCI 5

P3 BX048048-08LD08-24x30

CB FLAT TOP 8"W w/24"x30" HOLE

- P4) 24" x 30" - CASTING HEIGHT - 6"
- P3) 48" x 48" - CB FLAT TOP 8"W w/24"x30" HOLE - 8"
- P2) 48" x 48" - BOX RISER 8inW - 18"
- P1) 48" x 48" - BOX BASE 8inW, 8inF - 60"
- 1) CASTING - HOE 360 Set (F/G/H)
- 1) Hole - 38
- 3) Hole - 30

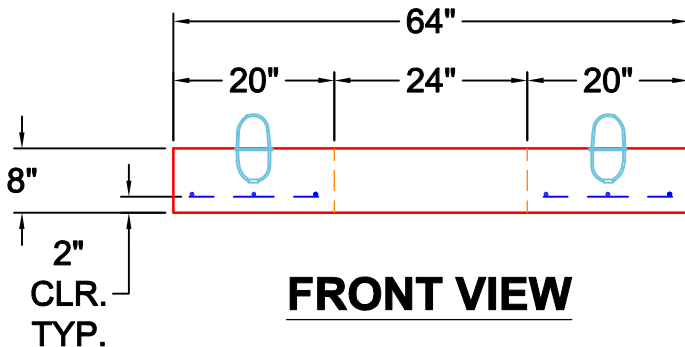
0 lb	Structure Notes:
2266 lb	1. JR HOE HOE-360 PROVIDED BY ICAST.
2707 lb	2. PER ASTM C913 SPECIFICATIONS.
9521 lb	3. CONCRETE = 4,000 PSI AT 28 DAYS.
362 lb	4. REINFORCING PER ASTM A615 (GRADE 60).
0 lb	- TOP SLAB (As .62) #5 BARS AT 6" C.C.E.W..
0 lb	- RISER/WALLS (As .18)
-----	- FLOOR (As .37) #5 BARS AT 10" C.C.E.W.
Structure Total:	14856 lb



GENERAL NOTES:

1. MANUFACTURED TO ASTM C-913 (LATEST REVISION).
2. CONCRETE: 4,000 PSI AT 28 DAYS.
3. REINFORCING: PER ASTM A615 #5 BAR @ 6" E.W. O.C. (GRADE 60).

4 EA. CONAC WRA016 ANCHORS CAST IN AS SHOWN.



Coating (Int): Coating (Ext):	Seam Up: Flat Seam Dn: Flat	Wall Thickness: 8"	Height (Ext): 8"	Weight (Net): 2266 lb Volume (Net): 0.58cu.yd
----------------------------------	--------------------------------	--------------------	------------------	--