

Job Name: 25-1431 - Georgetown Commons
Job Location: Georgetown, KY
Contractor: Winwater Hartford KY Co.

PC: A. Chambers
 TECH: J. Coppage
 Plant: Beaver Dam



Structure ID: **SCI 43**
 Spec: Storm
 Type: STM.MH
 Size: 60"

Rim: 868.5'
 Invert: 861.25'
 Rim to Invert: 7.25'

Sump: 2.85"
 Floor (Top): 861.013'
 Floor Height: 8"

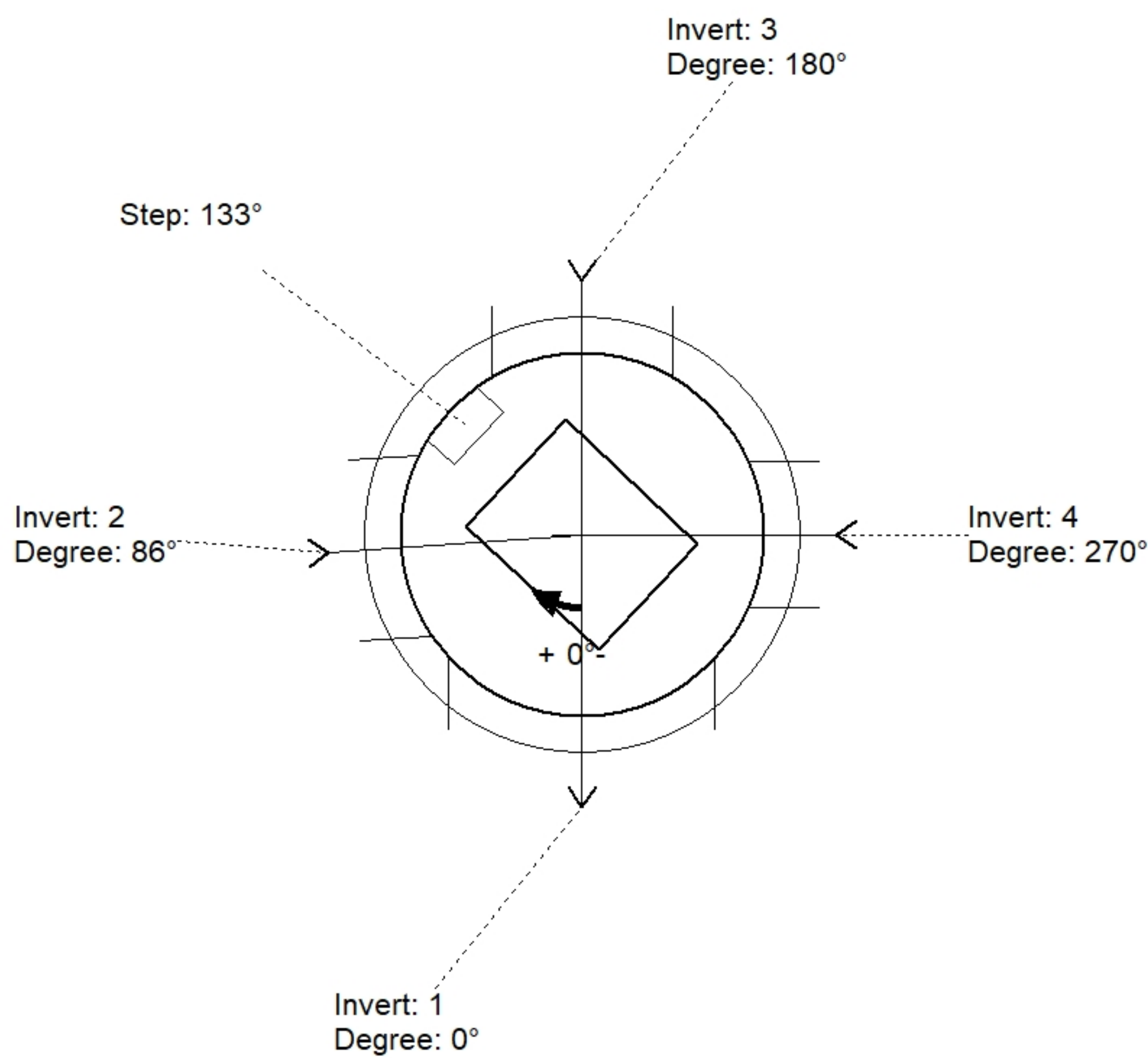
Floor (Bot): 860.346'
 Overall Height: 8'
 Slack: 1.85"

Structure Notes:

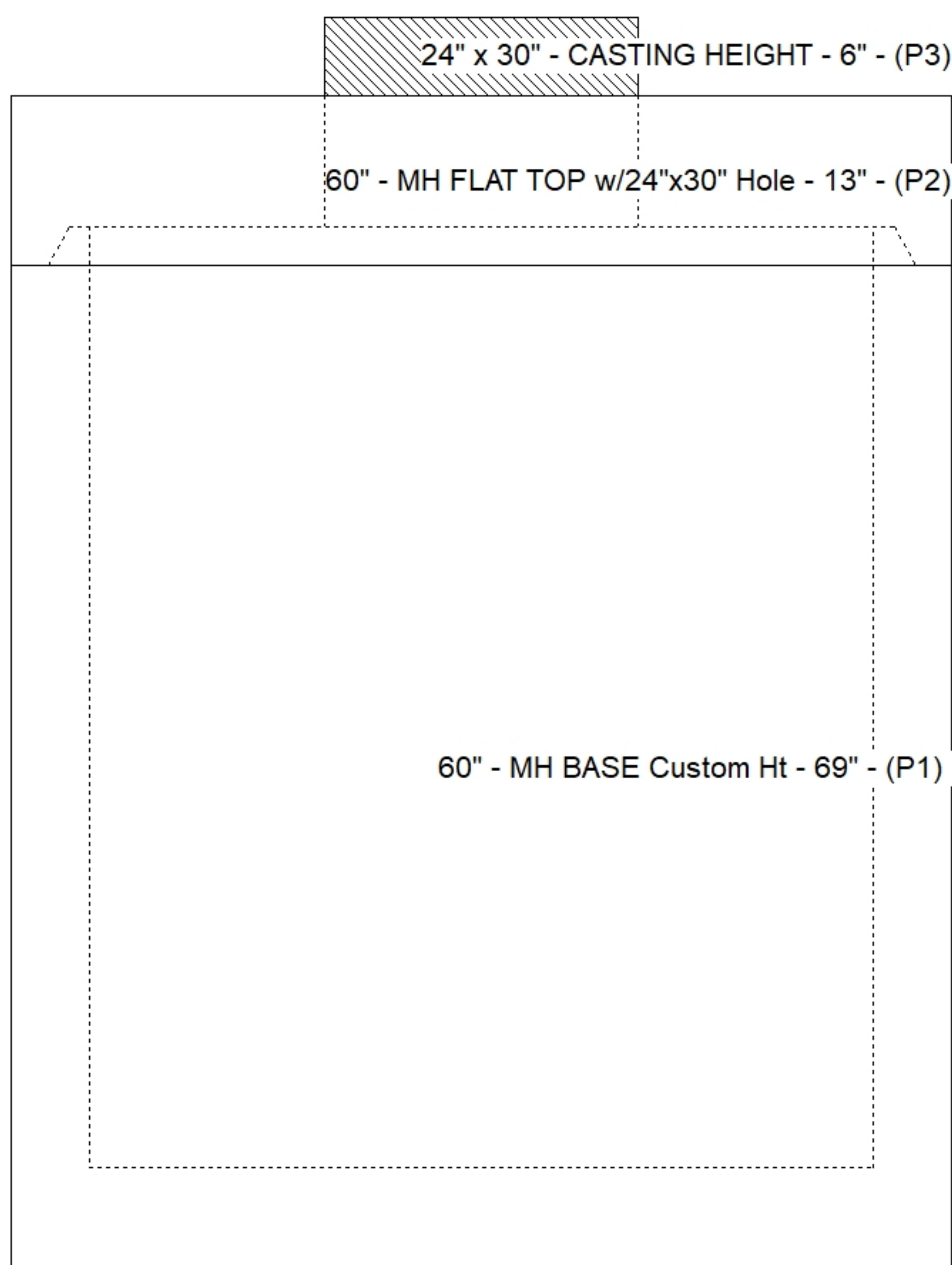
1. JR HOE HOE-360 PROVIDED BY ICAST.
2. PER ASTM C478 SPECIFICATIONS.
3. CONCRETE = 4,000 PSI AT 28 DAYS.
4. REINFORCING PER ASTM A615 (GRADE 60).
 - TOP SLAB (As .62) #5 BARS AT 6" C.C.E.W..
 - RISER/WALLS (As .18)
 - FLOOR (As .37) #5 BARS AT 10" C.C.E.W.

STRUCTURE SUMMARY:

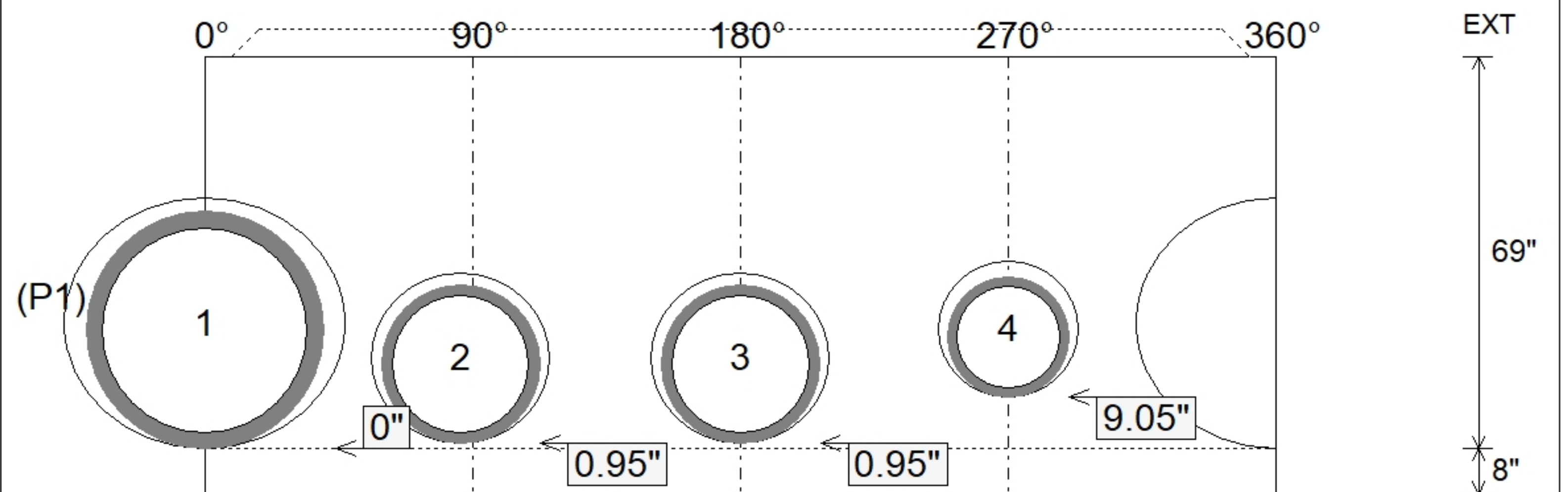
P3) 24" x 30" - CASTING HEIGHT - 6"	0 lb
P2) 60" - MH FLAT TOP w/24"x30" Hole - 13"	2668 lb
P1) 60" - MH BASE Custom Ht - 69"	8122 lb
1) CASTING - HOE 360 Set (F/G/H)	362 lb
1) 60" - Conseal CS-102 1.00"	0 lb
1) 24" x 30" - Conseal CS-102 1.00"	0 lb
1) Hole - 44	0 lb
2) Hole - 30	0 lb
1) Hole - 24	0 lb
6) MH Step ML-10-TDS-NCR - 10"	0 lb
Structure Total:	11152 lb



Position	Elev	Angle	Pipe	Pipe OD	Hole	Connector	Up (")	Ref
Rim	868.5'							
Reducer								
Invert 1	861.25'	0°	36" HDPE	41.7"	44"	Hole 44	0"	P1
Invert 2	861.25'	86°	24" HDPE	27.8"	30"	Hole 30	0.95"	P1
Invert 3	861.25'	180°	24" HDPE	27.8"	30"	Hole 30	0.95"	P1
Invert 4	861.9'	270°	18" HDPE	21.2"	24"	Hole 24	9.05"	P1
Invert 5								
Invert 6								
Invert 7								
Invert 8								



Default - Interior Dimensions



Submittal Drawing
 4/24/2026 11:00:46 AM

SUBMITTAL
 APPROVED BY: