

Job Name: 25-1431 - Georgetown Commons
 Job Location: Georgetown, KY
 Contractor: Winwater Hartford KY Co.

Plant: Beaver Dam

Tech: J. Coppage

4/23/2026 11:19:55 AM

PC: A. Chambers



Structure ID: SCI 43

P1 MH060BAVF

MH BASE Custom Ht

- P3) 24" x 30" - CASTING HEIGHT - 6"
- P2) 60" - MH FLAT TOP w/24"x30" Hole - 13"
- P1) 60" - MH BASE Custom Ht - 69"
- 1) CASTING - HOE 360 Set (F/G/H)
- 1) 60" - Conseal CS-102 1.00"
- 1) 24" x 30" - Conseal CS-102 1.00"
- 1) Hole - 44
- 2) Hole - 30
- 1) Hole - 24
- 6) MH Step ML-10-TDS-NCR - 10"

- Structure Notes:**
1. JR HOE HOE-360 PROVIDED BY ICAST.
 2. PER ASTM C478 SPECIFICATIONS.
 3. CONCRETE = 4,000 PSI AT 28 DAYS.
 4. REINFORCING PER ASTM A615 (GRADE 60).
 - TOP SLAB (As .62) #5 BARS AT 6" C.C.E.W..
 - RISER/WALLS (As .18)
 - FLOOR (As .37) #5 BARS AT 10" C.C.E.W.

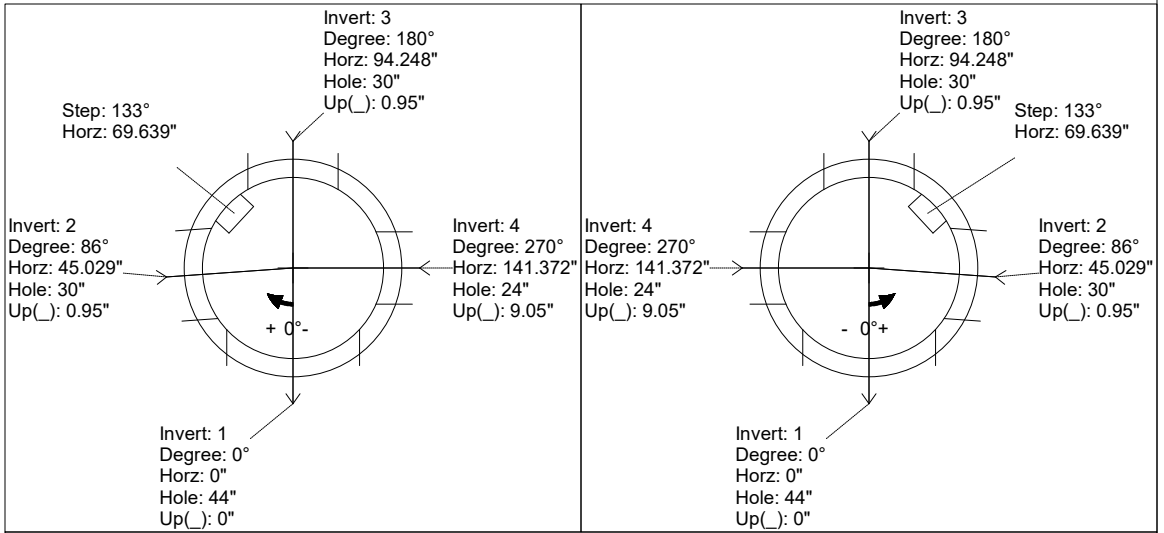
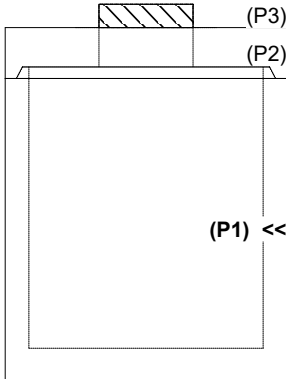
Structure Total: 11152 lb

Rim: 868.5' Rim to Invert: 7.25' Slack: 1.85' Sump: 2.85' Step Position: 133°

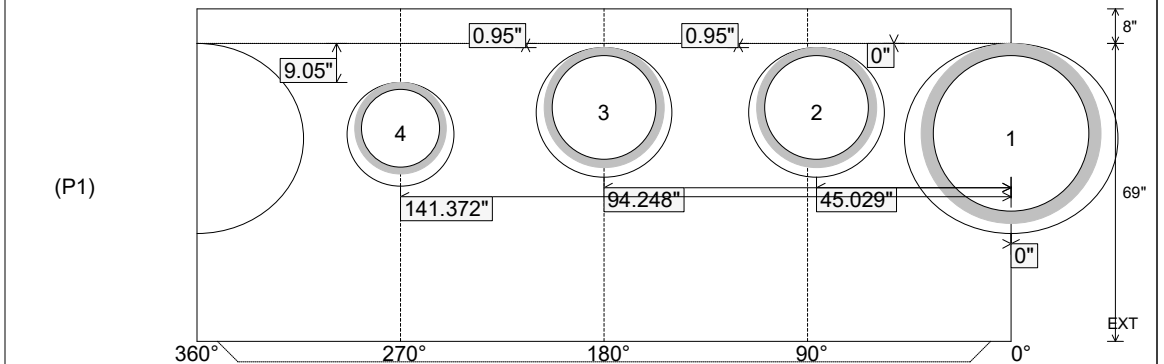
Position	Elev	Angle	Ext. (cw)	Pipe	Pipe OD	Connector	Hole	Horz Size	Up ()	Offset
Invert 1	861.25'	0°	0"	36" HDPE	41.7"	Hole 44	44"	49.393"	0"	0"
Invert 2	861.25'	86°	54.035"	24" HDPE	27.8"	Hole 30	30"	31.416"	0.95"	0"
Invert 3	861.25'	180°	113.097"	24" HDPE	27.8"	Hole 30	30"	31.416"	0.95"	0"
Invert 4	861.9'	270°	169.646"	18" HDPE	21.2"	Hole 24	24"	24.691"	9.05"	0"
Invert 5										
Invert 6										
Invert 7										
Invert 8										

RIGHT-SIDE UP VIEW (int. dimensions)

UPSIDE-DOWN VIEW (int. dimensions)



INSIDE WALL DIMENSIONS



Coating (Int):
 Coating (Ext):

Seam Up: Tongue
 Seam Dn: n/a

Wall Thickness: 6"
 Floor Height: 8"

Height (Int): 69"
 Height (Ext): 77"

Weight (Net): 8122 lb
 Volume (Net): 2.08cu.yd