

**Job Name: 25-1431 - Georgetown Commons**  
**Job Location: Georgetown, KY**  
**Contractor: Winwater Hartford KY Co.**

PC: A. Chambers  
 TECH: J. Coppage  
 Plant: Beaver Dam



Structure ID: **SCI 33**  
 Spec: Storm  
 Type: STM.MH  
 Size: 72"

Rim: 869.25'  
 Invert: 858'  
 Rim to Invert: 11.25'

Sump: 3.15"  
 Floor (Top): 857.738'  
 Floor Height: 8"

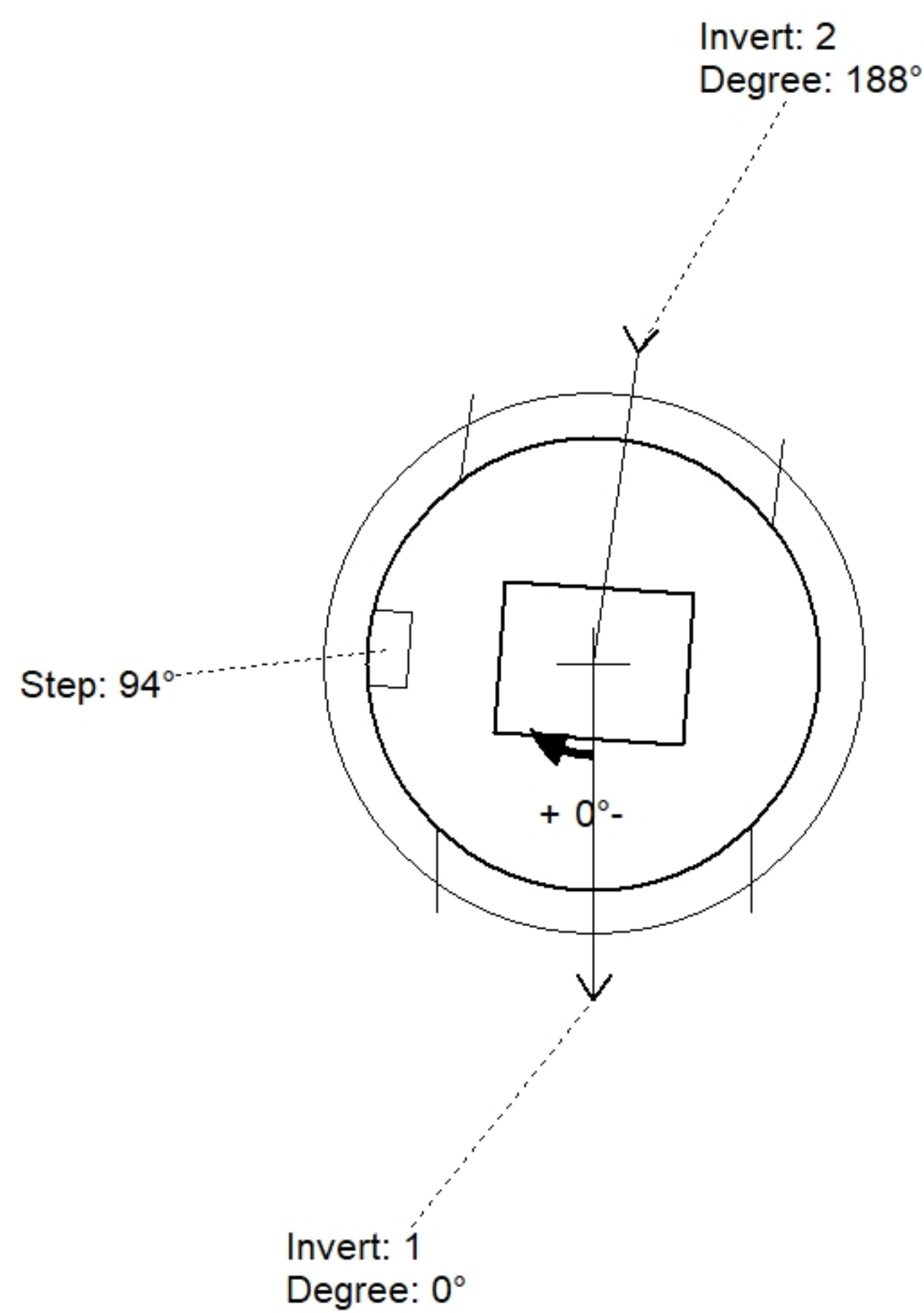
Floor (Bot): 857.071'  
 Overall Height: 11.917'  
 Slack: 3.15"

**Structure Notes:**

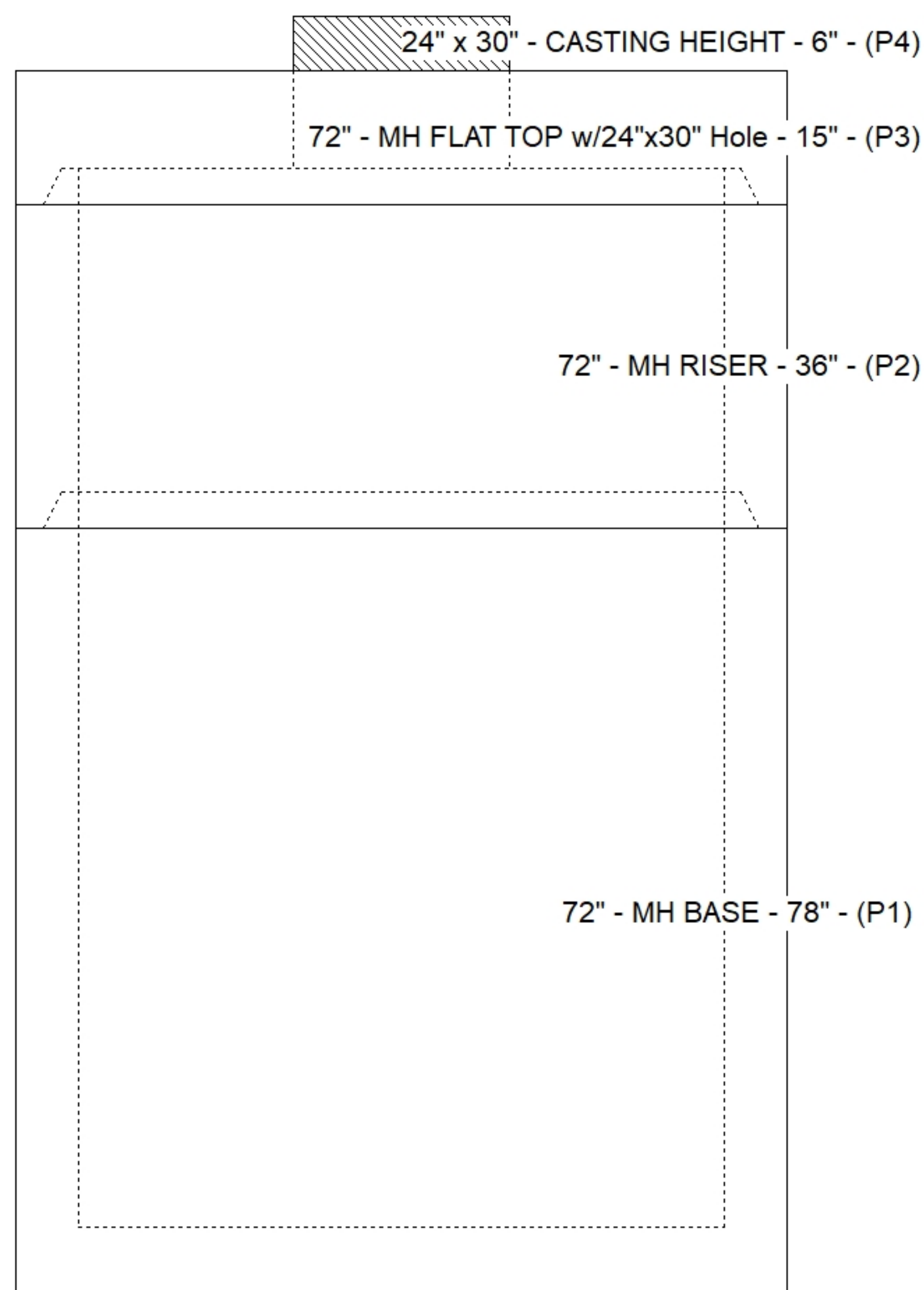
1. JR HOE HOE-360 PROVIDED BY ICAST.
2. PER ASTM C478 SPECIFICATIONS.
3. CONCRETE = 4,000 PSI AT 28 DAYS.
4. REINFORCING PER ASTM A615 (GRADE 60).
  - TOP SLAB (As .62) #5 BARS AT 6" C.C.E.W..
  - RISER/WALLS (As .18)
  - FLOOR (As .37) #5 BARS AT 10" C.C.E.W.

**STRUCTURE SUMMARY:**

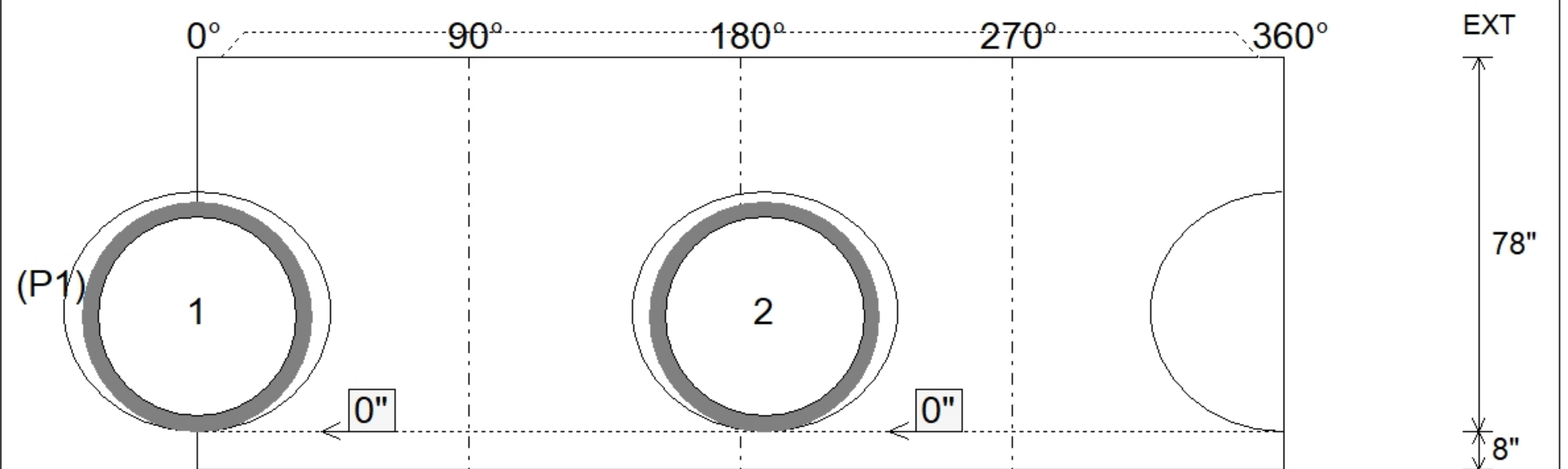
P4) 24" x 30" - CASTING HEIGHT - 6"	0 lb
P3) 72" - MH FLAT TOP w/24"x30" Hole - 15"	4561 lb
P2) 72" - MH RISER - 36"	5248 lb
P1) 72" - MH BASE - 78"	12765 lb
1) CASTING - HOE 360 Set (F/G/H)	362 lb
2) 72" - Conseal CS-102 1.00"	0 lb
1) 24" x 30" - Conseal CS-102 1.00"	0 lb
2) Hole - 50	0 lb
9) MH Step ML-10-TDS-NCR - 10"	0 lb
<b>Structure Total:</b>	<b>22936 lb</b>



Position	Elev	Angle	Pipe	Pipe OD	Hole	Connector	Up ( )	Ref
Rim	869.25'							
Reducer								
Invert 1	858'	0°	42" HDPE	47.7"	50"	Hole 50	0"	P1
Invert 2	858'	188°	42" HDPE	47.7"	50"	Hole 50	0"	P1
Invert 3								
Invert 4								
Invert 5								
Invert 6								
Invert 7								
Invert 8								



**Default - Interior Dimensions**



Submittal Drawing  
 4/24/2026 11:00:45 AM

SUBMITTAL  
 APPROVED BY: