

Job Name: 25-1431 - Georgetown Commons
Job Location: Georgetown, KY
Contractor: Winwater Hartford KY Co.

PC: A. Chambers
 TECH: J. Copping
 Plant: Beaver Dam



Structure ID: **SCI 312**
 Spec: Storm
 Type: BX 8inW, 8inF
 Size: 24" x 30"

Rim: 873.75'
 Invert: 870.5'
 Rim to Invert: 3.25'

Sump: 1.3"
 Floor (Top): 870.392'
 Floor Height: 8"

Floor (Bot): 869.725'
 Overall Height: 3.917'
 Slack: 1.3"

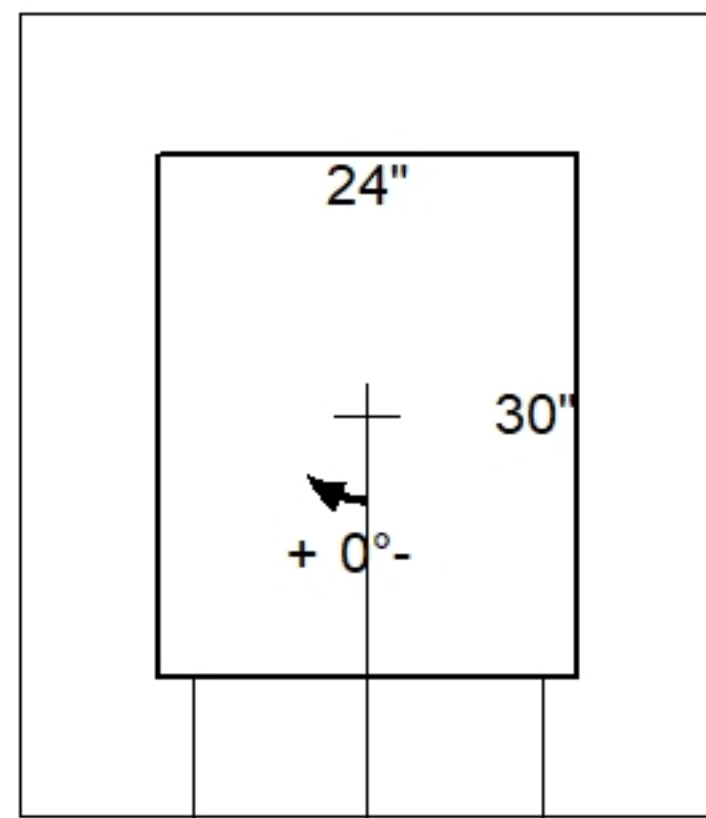
Structure Notes:

1. JR HOE HOE-360 SET BY ICAST.
2. PER ASTM C913 SPECIFICATIONS.
3. CONCRETE = 4,000 PSI AT 28 DAYS.
4. REINFORCING PER ASTM A615 (GRADE 60).
 - WALLS (As .31) #5 BARS AT 12" C.C.E.W.
 - FLOOR (As .31) #5 BARS AT 12" C.C.E.W.

STRUCTURE SUMMARY:

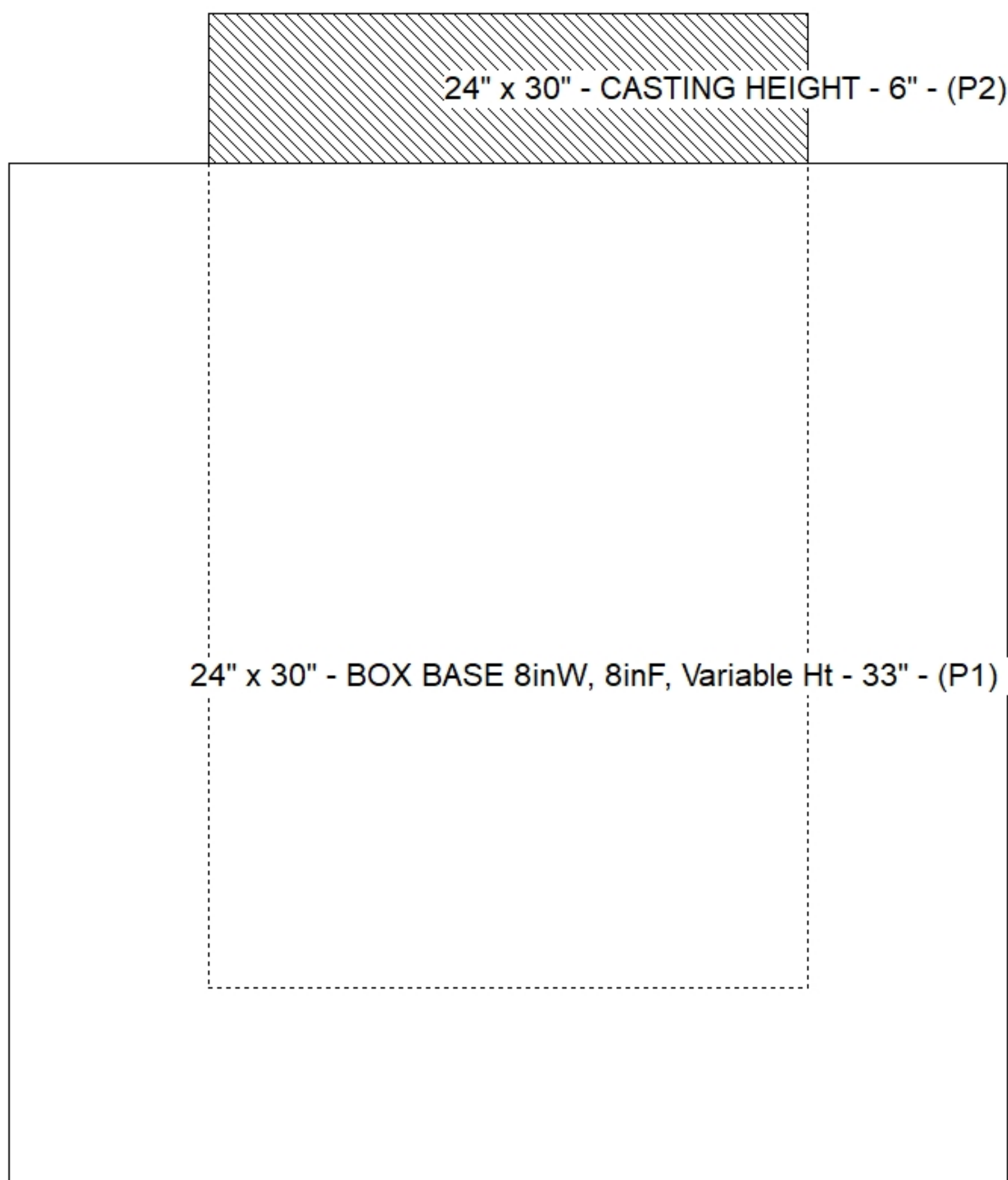
P2) 24" x 30" - CASTING HEIGHT - 6"	0 lb
P1) 24" x 30" - BOX BASE 8inW, 8inF, Variable Ht - 33"	4126 lb
1) CASTING - HOE 360 Set (F/G/H)	362 lb
1) 24" x 30" - SGL 1"x14.5' Butyl	0 lb
1) Hole - 20	0 lb

Structure Total:	4488 lb

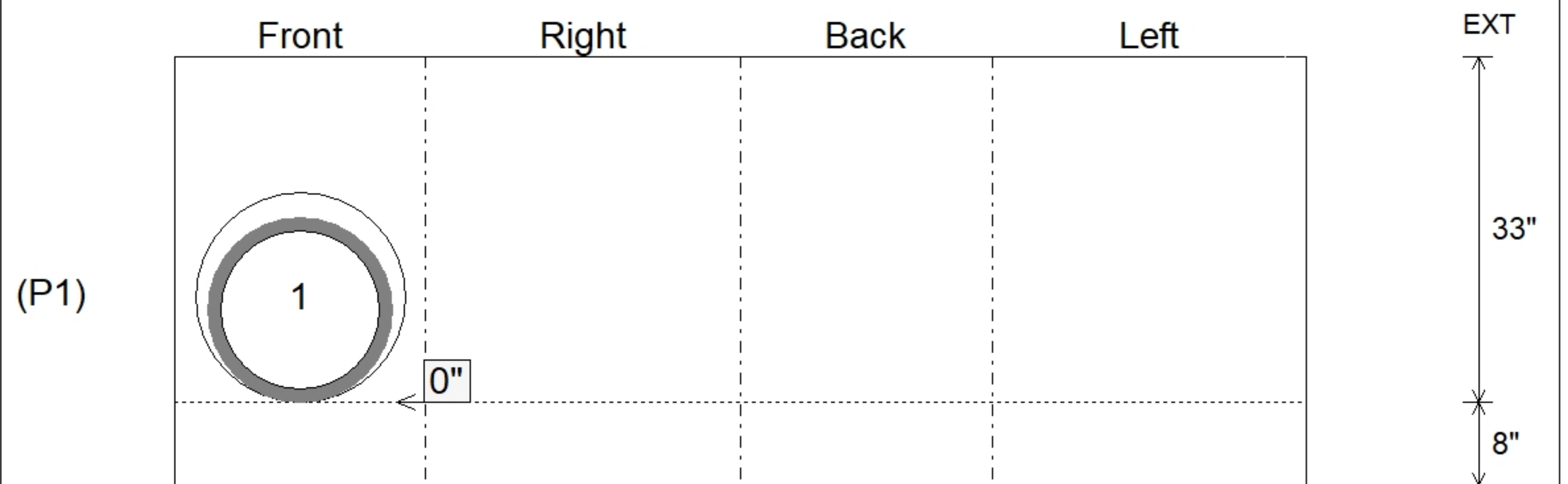


Invert: 1
 Degree: 0°

Position	Elev	Angle	Pipe	Pipe OD	Hole	Connector	Up ()	Ref
Rim	873.75'							
Reducer								
Invert 1	870.5'	0°	15" HDPE	17.6"	20"	Hole 20	0"	P1
Invert 2								
Invert 3								
Invert 4								
Invert 5								
Invert 6								
Invert 7								
Invert 8								



Default - Interior Dimensions



Submittal Drawing
 4/24/2026 11:01:12 AM

SUBMITTAL
 APPROVED BY: