

**Job Name: 25-1431 - Georgetown Commons**  
**Job Location: Georgetown, KY**  
**Contractor: Winwater Hartford KY Co.**

PC: A. Chambers  
 TECH: J. Coppage  
 Plant: Beaver Dam



Structure ID: **SCI 304**  
 Spec: Storm  
 Type: STM.MH  
 Size: 96"

Rim: 868.5'  
 Invert: 858.35'  
 Rim to Invert: 10.15'

Sump: 6"  
 Floor (Top): 857.85'  
 Floor Height: 8"

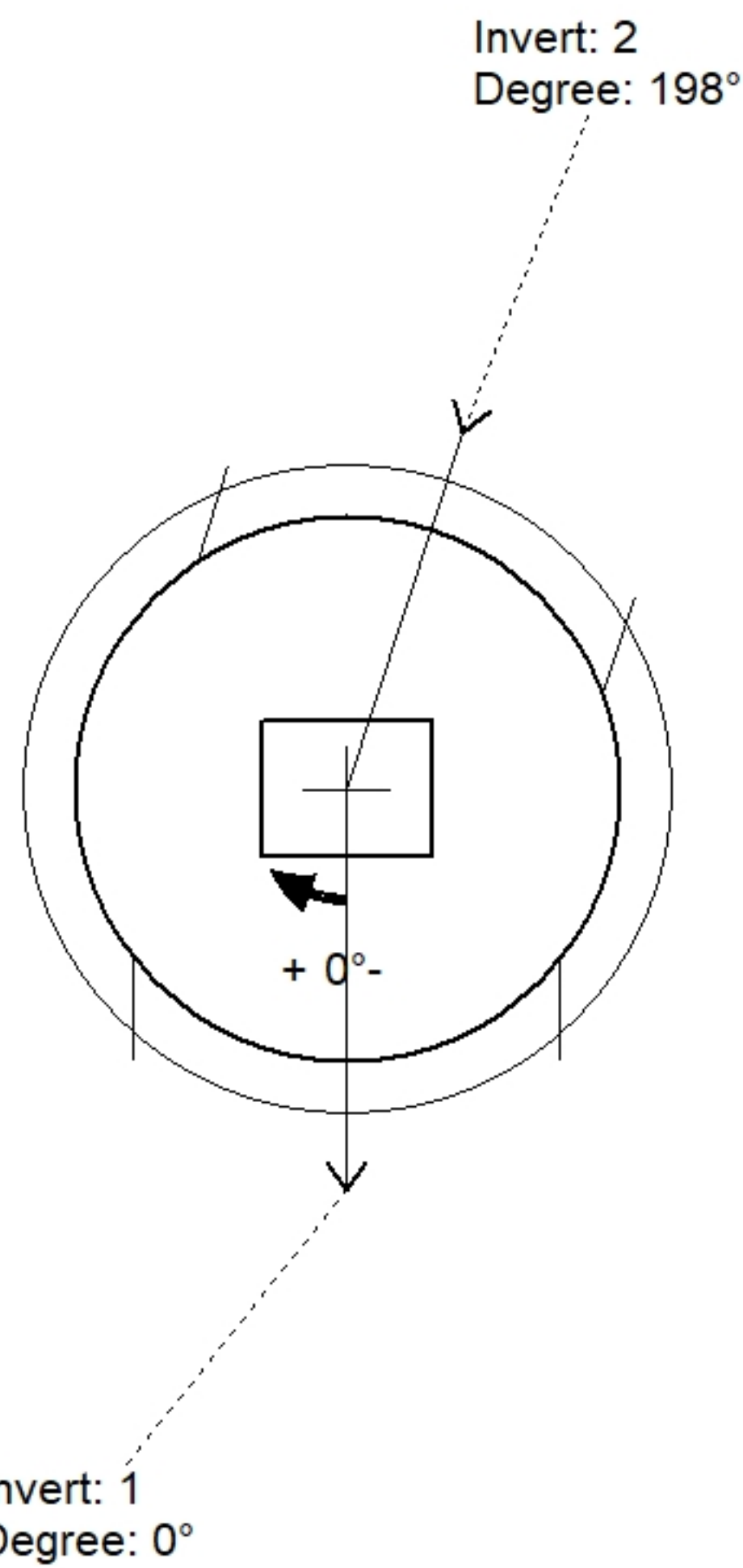
Floor (Bot): 857.183'  
 Overall Height: 11.083'  
 Slack: 2.8"

**Structure Notes:**

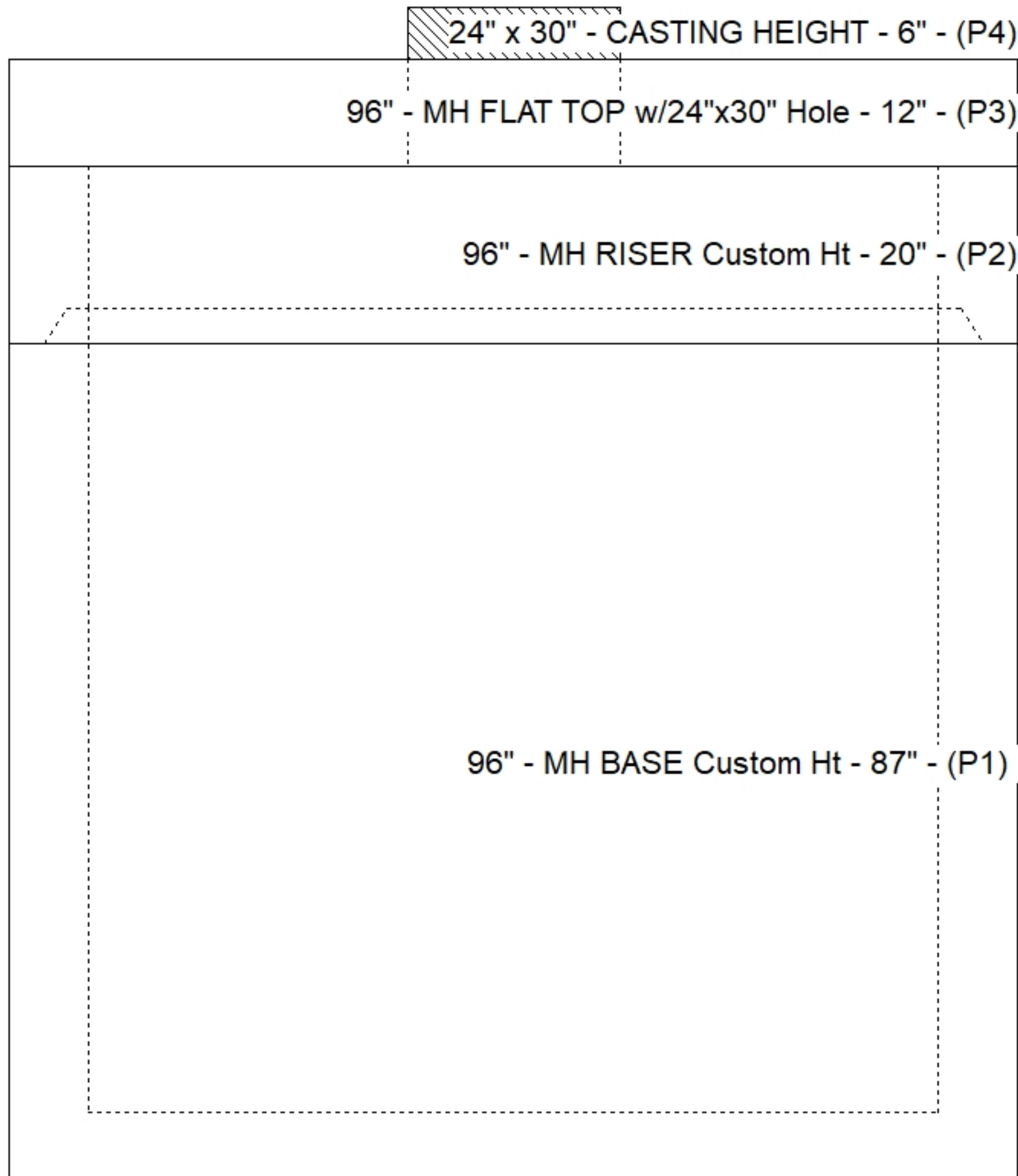
1. JR HOE HOE-360 PROVIDED BY ICAST.
2. PER ASTM C478 SPECIFICATIONS.
3. CONCRETE = 4,000 PSI AT 28 DAYS.
4. REINFORCING PER ASTM A615 (GRADE 60).
  - TOP SLAB (As .62) #5 BARS AT 6" C.C.E.W..
  - RISER/WALLS (As .12)
  - FLOOR (As .31) #5 BARS AT 12" C.C.E.W.

**STRUCTURE SUMMARY:**

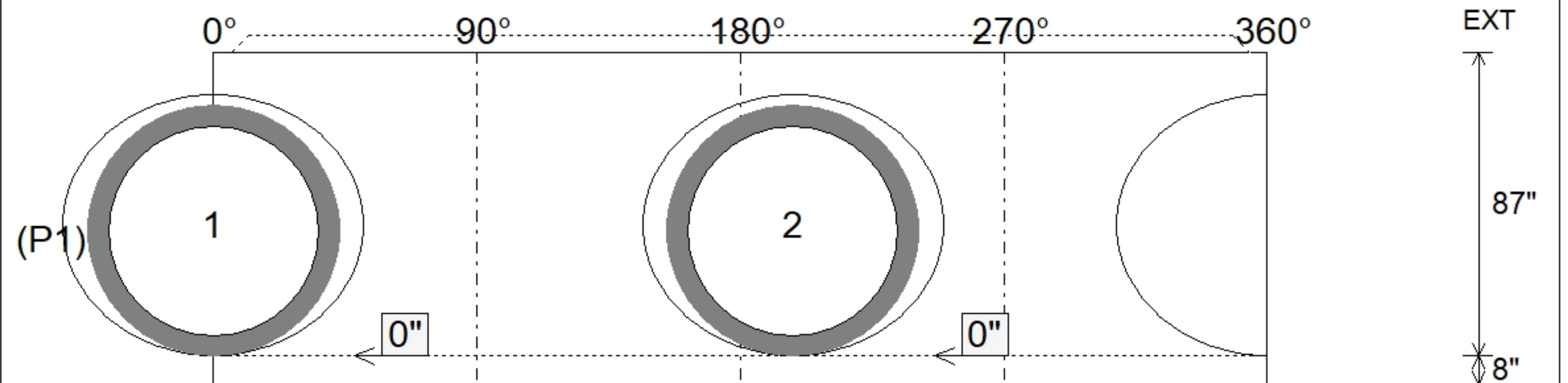
P4) 24" x 30" - CASTING HEIGHT - 6"	0 lb
P3) 96" - MH FLAT TOP w/24"x30" Hole - 12"	9553 lb
P2) 96" - MH RISER Custom Ht - 20"	4982 lb
P1) 96" - MH BASE Custom Ht - 87"	21055 lb
1) CASTING - HOE 360 Set (F/G/H)	362 lb
2) 96" - Conseal CS-102 1.00"	0 lb
1) 24" x 30" - Conseal CS-102 1.00"	0 lb
2) Hole - 75	0 lb
<b>Structure Total:</b>	<b>35952 lb</b>



Position	Elev	Angle	Pipe	Pipe OD	Hole	Connector	Up ( )	Ref
Rim	868.5'							
Reducer								
Invert 1	858.35'	0°	60" RCP B WALL	72"	75"	Hole 75	0"	P1
Invert 2	858.35'	198°	60" RCP B WALL	72"	75"	Hole 75	0"	P1
Invert 3								
Invert 4								
Invert 5								
Invert 6								
Invert 7								
Invert 8								



**Default - Interior Dimensions**



Submittal Drawing  
 4/24/2026 11:01:11 AM

SUBMITTAL  
 APPROVED BY: