

Job Name: 25-1431 - Georgetown Commons  
 Job Location: Georgetown, KY  
 Contractor: Winwater Hartford KY Co.

Plant: Beaver Dam  
 4/23/2026 12:20:38 PM

Tech: J. Coppage  
 PC: A. Chambers



**Structure ID: SCI 304**

**P1 MH096BAVF**

**MH BASE Custom Ht**

- P4) 24" x 30" - CASTING HEIGHT - 6"
- P3) 96" - MH FLAT TOP w/24"x30" Hole - 12"
- P2) 96" - MH RISER Custom Ht - 20"
- P1) 96" - MH BASE Custom Ht - 87"
- 1) CASTING - HOE 360 Set (F/G/H)
- 2) 96" - Conseal CS-102 1.00"
- 1) 24" x 30" - Conseal CS-102 1.00"
- 2) Hole - 75"

0 lb  
 9553 lb  
 4982 lb  
 21055 lb  
 362 lb  
 0 lb  
 0 lb  
 0 lb  
 -----  
 Structure Total: 35952 lb

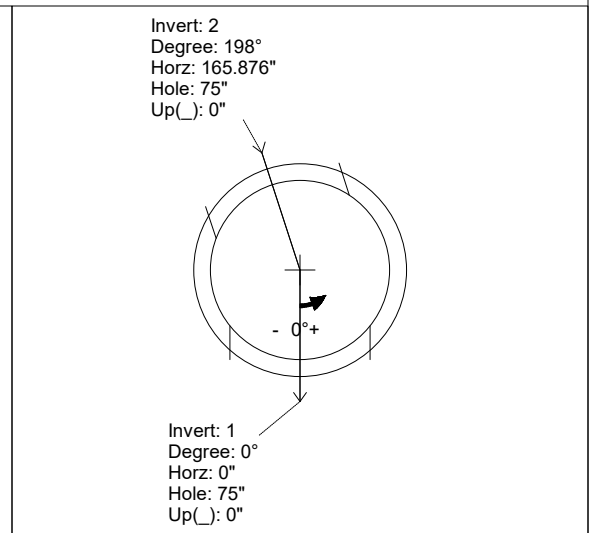
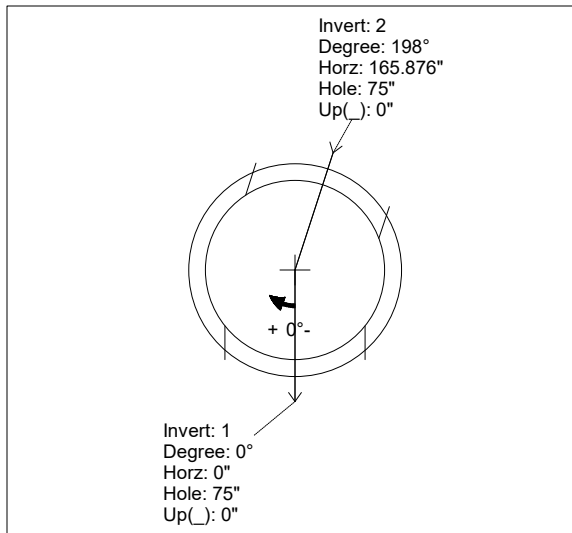
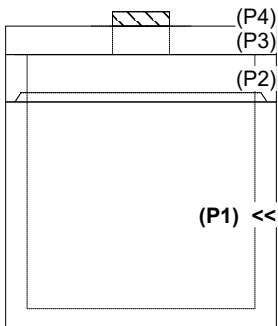
- Structure Notes:**
1. JR HOE HOE-360 PROVIDED BY ICAST.
  2. PER ASTM C478 SPECIFICATIONS.
  3. CONCRETE = 4,000 PSI AT 28 DAYS.
  4. REINFORCING PER ASTM A615 (GRADE 60).  
 - TOP SLAB (As .62) #5 BARS AT 6" C.C.E.W..  
 - RISER/WALLS (As .12)  
 - FLOOR (As .31) #5 BARS AT 12" C.C.E.W.

Rim: 868.5' Rim to Invert: 10.15' Slack: 2.8" Sump: 6" Step Position:

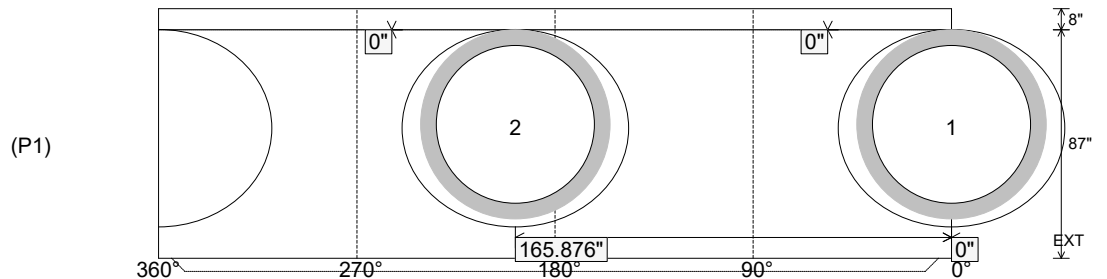
Position	Elev	Angle	Ext. (cw)	Pipe	Pipe OD	Connector	Hole	Horz Size	Up ( )	Offset
Invert 1	858.35'	0°	0"	60" RCP B WALL	72"	Hole 75	75"	86.08"	0"	0"
Invert 2	858.35'	198°	196.978"	60" RCP B WALL	72"	Hole 75	75"	86.08"	0"	0"
Invert 3										
Invert 4										
Invert 5										
Invert 6										
Invert 7										
Invert 8										

RIGHT-SIDE UP VIEW (int. dimensions)

UPSIDE-DOWN VIEW (int. dimensions)



INSIDE WALL DIMENSIONS



Coating (Int):  
 Coating (Ext):

Seam Up: Tongue  
 Seam Dn: n/a

Wall Thickness: 9"  
 Floor Height: 8"

Height (Int): 87"  
 Height (Ext): 95"

Weight (Net): 21055 lb  
 Volume (Net): 5.38cu.yd