

Job Name: 25-1431 - Georgetown Commons
Job Location: Georgetown, KY
Contractor: Winwater Hartford KY Co.

PC: A. Chambers
 TECH: J. Copping
 Plant: Beaver Dam



Structure ID: **SCI 303**
 Spec: Storm
 Type: STM.MH
 Size: 96"

Rim: 869.75'
 Invert: 859'
 Rim to Invert: 10.75'

Sump: 6"
 Floor (Top): 858.5'
 Floor Height: 8"

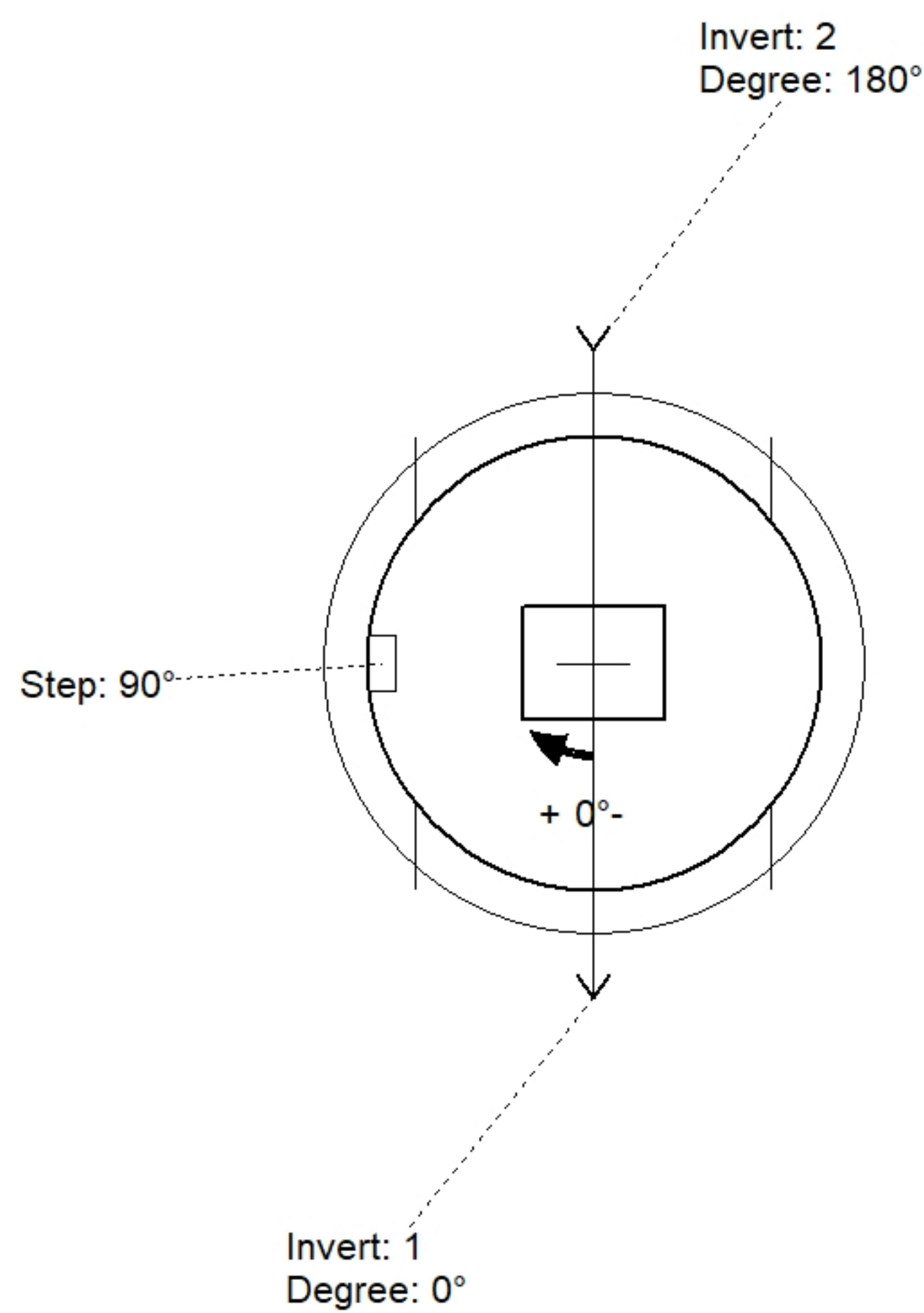
Floor (Bot): 857.833'
 Overall Height: 11.667'
 Slack: 3"

Structure Notes:

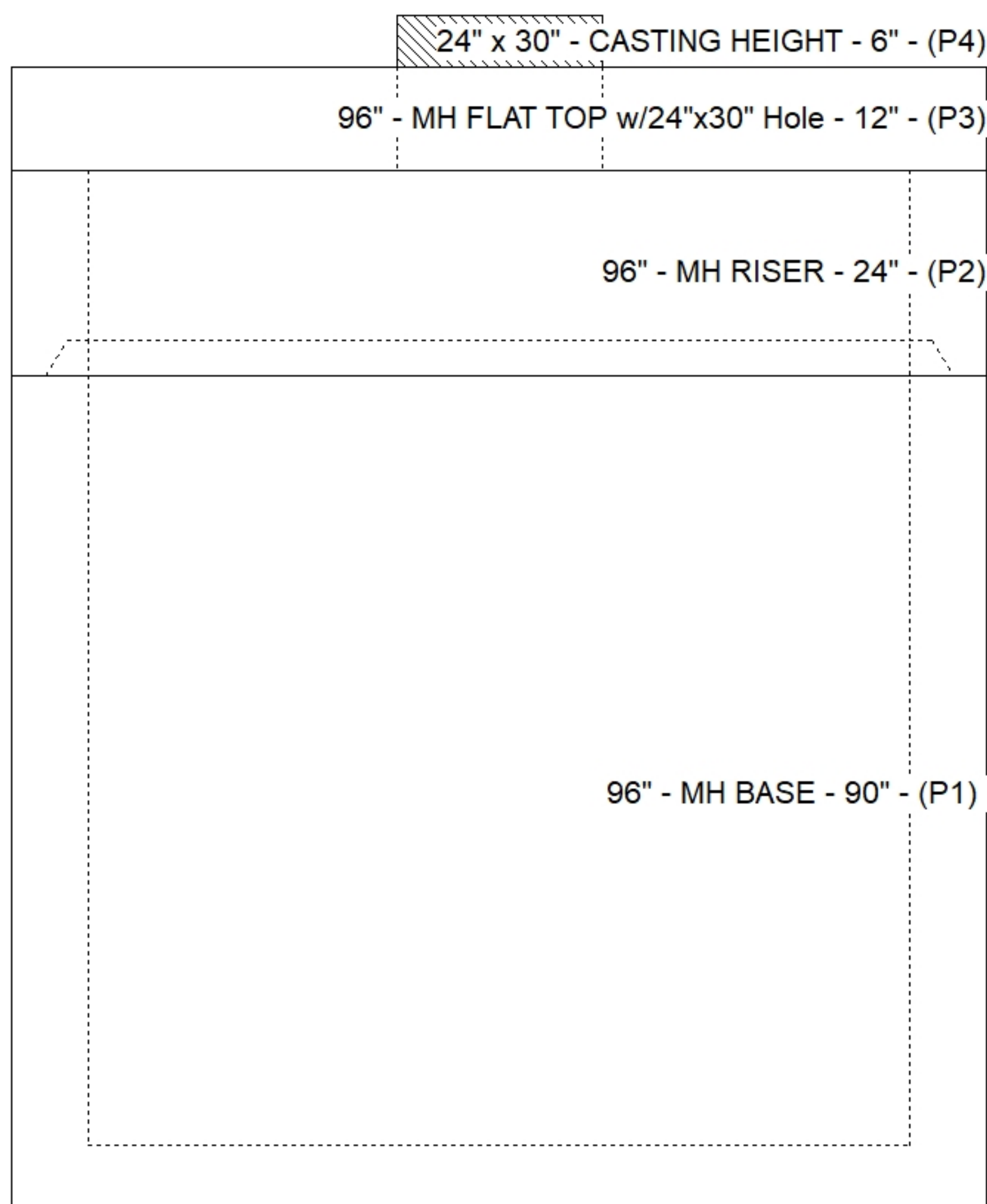
- JR HOE HOE-360 PROVIDED BY ICAST.
- PER ASTM C478 SPECIFICATIONS.
- CONCRETE = 4,000 PSI AT 28 DAYS.
- REINFORCING PER ASTM A615 (GRADE 60).
 - TOP SLAB (As .62) #5 BARS AT 6" C.C.E.W..
 - RISER/WALLS (As .12)
 - FLOOR (As .31) #5 BARS AT 12" C.C.E.W.

STRUCTURE SUMMARY:

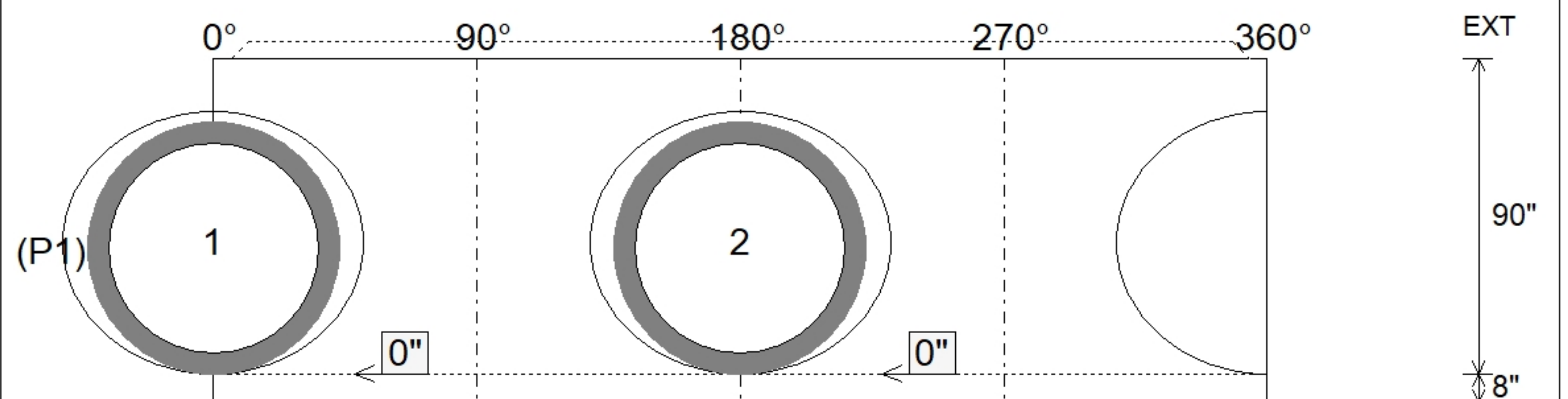
P4) 24" x 30" - CASTING HEIGHT - 6"	0 lb
P3) 96" - MH FLAT TOP w/24"x30" Hole - 12"	9553 lb
P2) 96" - MH RISER - 24"	5979 lb
P1) 96" - MH BASE - 90"	21802 lb
1) CASTING - HOE 360 Set (F/G/H)	362 lb
2) 96" - Conseal CS-102 1.00"	0 lb
1) 24" x 30" - Conseal CS-102 1.00"	0 lb
2) Hole - 75	0 lb
9) MH Step ML-10-TDS-NCR - 10"	0 lb
Structure Total:	37696 lb



Position	Elev	Angle	Pipe	Pipe OD	Hole	Connector	Up ()	Ref
Rim	869.75'							
Reducer								
Invert 1	859'	0°	60" RCP B WALL	72"	75"	Hole 75	0"	P1
Invert 2	859'	180°	60" RCP B WALL	72"	75"	Hole 75	0"	P1
Invert 3								
Invert 4								
Invert 5								
Invert 6								
Invert 7								
Invert 8								



Default - Interior Dimensions



Submittal Drawing
 4/24/2026 11:01:11 AM

SUBMITTAL
 APPROVED BY: