

Job Name: 25-1431 - Georgetown Commons
Job Location: Georgetown, KY
Contractor: Winwater Hartford KY Co.

PC: A. Chambers
 TECH: J. Coppage
 Plant: Beaver Dam



Structure ID: **SCI 302**

Spec: Storm
 Type: BX 8inW, 8inF (TRANS)
 Size: 84" x 84"

Rim: 873.75'
 Invert: 862'
 Rim to Invert: 11.75'

Sump: 6"
 Floor (Top): 861.5'
 Floor Height: 8"

Floor (Bot): 860.833'
 Overall Height: 12.75'
 Slack: 2"

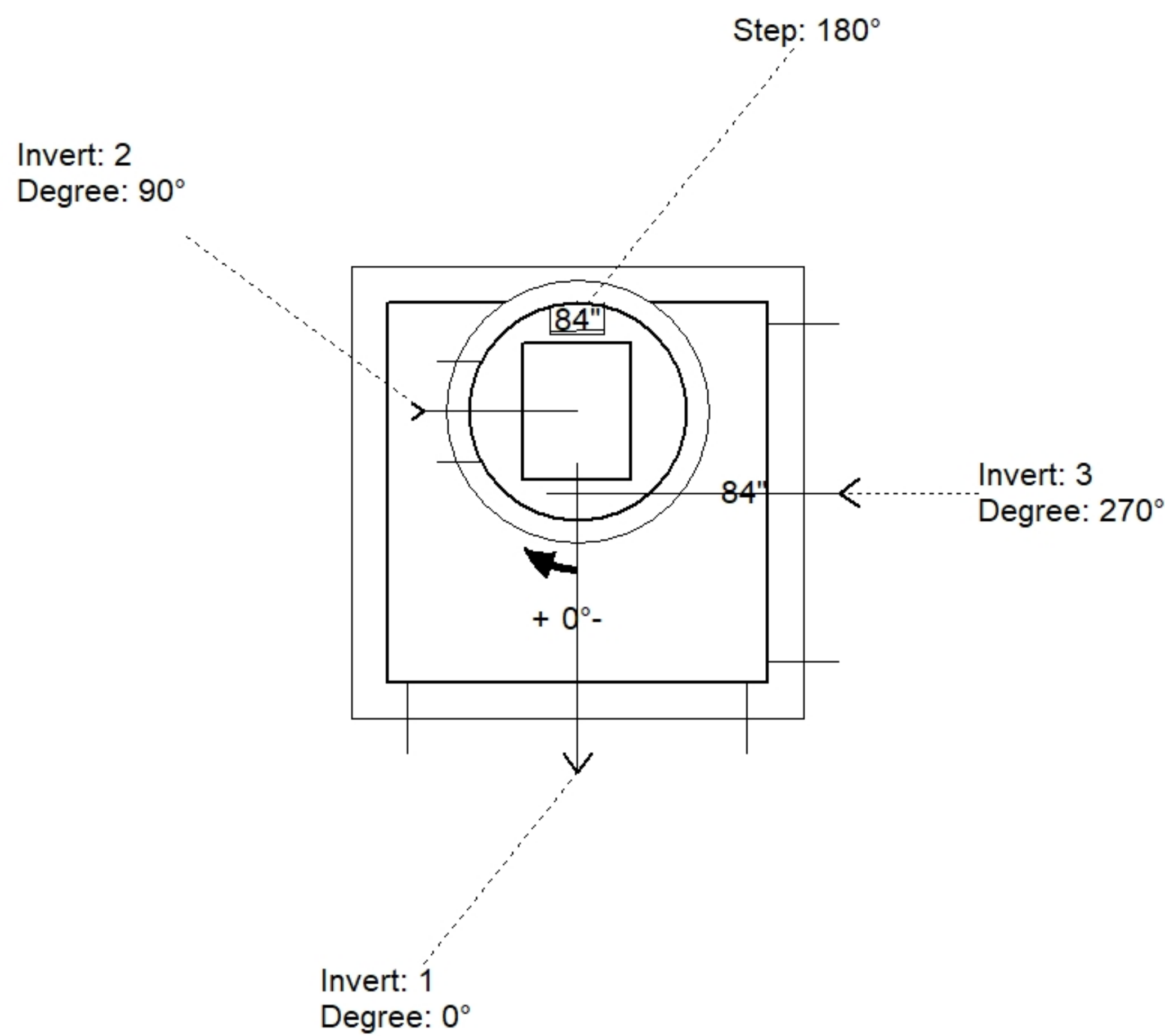
Structure Notes:

- JR HOE HOE-360 SET BY ICAST.
- PER ASTM C478 SPECIFICATIONS.
- CONCRETE = 4,000 PSI AT 28 DAYS.
- REINFORCING PER ASTM A615 (GRADE 60).
 - TOP SLAB (As .62) #5 BARS AT 6" C.C.E.W..
 - RISER/WALLS (As .12)
 - FLOOR (As .31) #5 BARS AT 12" C.C.E.W.

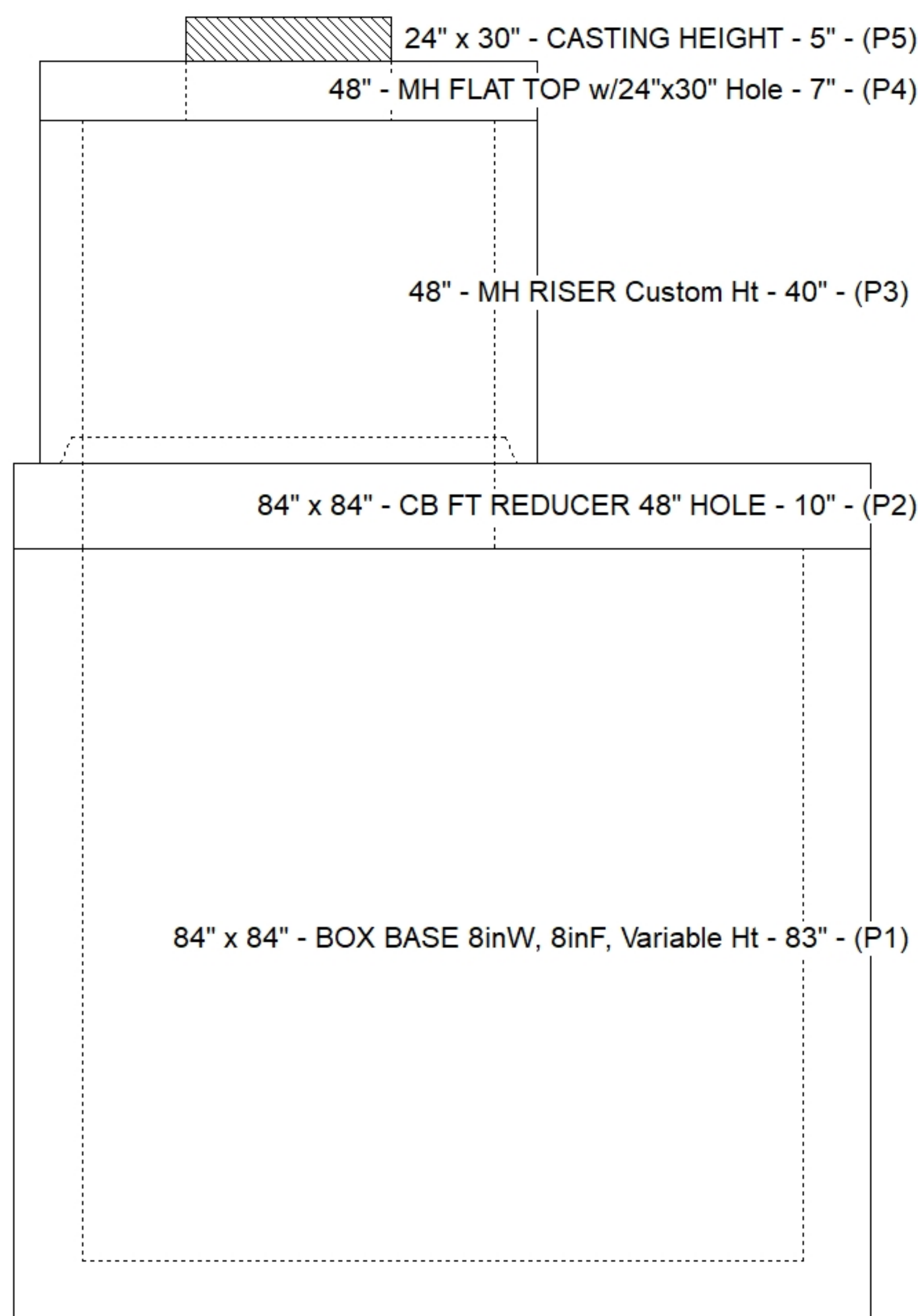
STRUCTURE SUMMARY:

- P5) 24" x 30" - CASTING HEIGHT - 5" 0 lb
- P4) 48" - MH FLAT TOP w/24"x30" Hole - 7" 1129 lb
- P3) 48" - MH RISER Custom Ht - 40" 2630 lb
- P2) 84" x 84" - CB FT REDUCER 48" HOLE - 10" 6873 lb
- P1) 84" x 84" - BOX BASE 8inW, 8inF, Variable Ht - 83" 21286 lb
- 1) CASTING - HOE 360 Set (F/G/H) 362 lb
- 1) SECONDARY POUR - WALLS 0 lb
- 1) 84" x 84" - Conseal CS-102 1.00" 0 lb
- 2) 48" - Conseal CS-102 1.00" 0 lb
- 1) 24" x 30" - Conseal CS-102 1.00" 0 lb
- 2) Hole - 75 0 lb
- 1) Hole - 22 0 lb
- 10) MH Step ML-10-TDS-NCR - 10" 0 lb

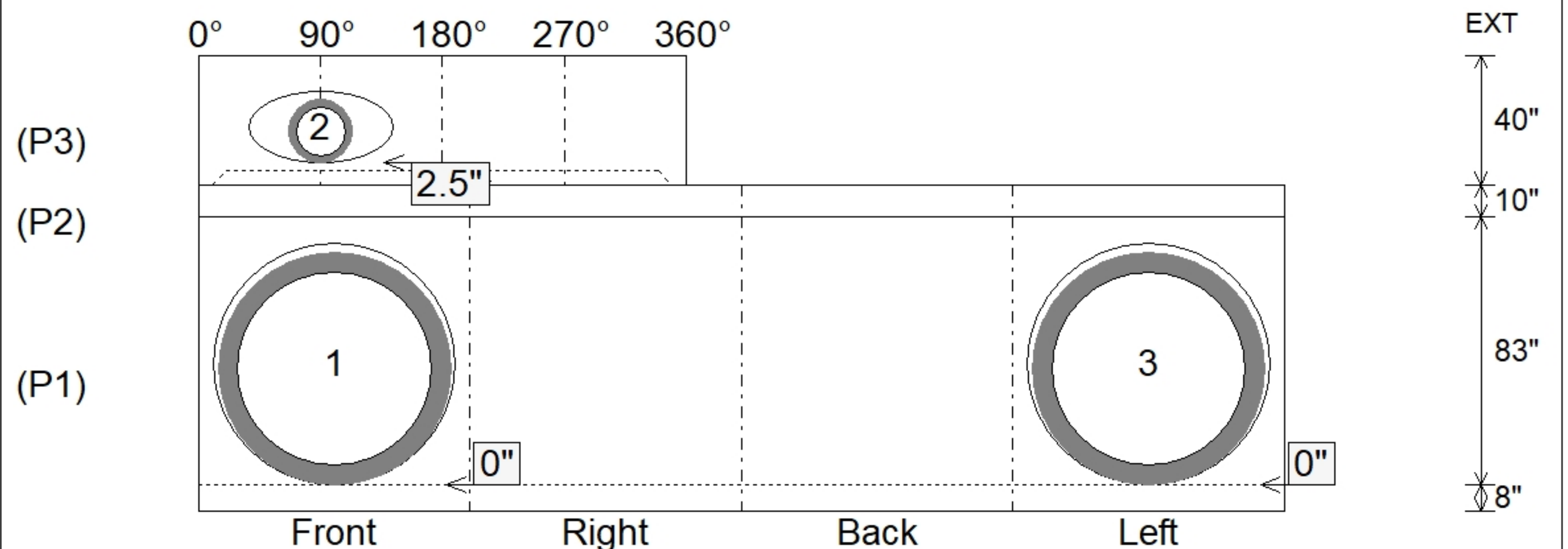
Structure Total: 32279 lb



Position	Elev	Angle	Pipe	Pipe OD	Hole	Connector	Up (")	Ref
Rim	873.75'							
Reducer	868.417'							
Invert 1	862'	0°	60" RCP B WALL	72"	75"	Hole 75	0"	P1
Invert 2	870'	90°	15" RCP B WALL	19.5"	22"	Hole 22	2.5"	P3
Invert 3	862'	270°	60" RCP B WALL	72"	75"	Hole 75	0"	P1
Invert 4								
Invert 5								
Invert 6								
Invert 7								
Invert 8								



Default - Interior Dimensions



Submittal Drawing
 4/24/2026 11:01:12 AM

SUBMITTAL
 APPROVED BY: