

Job Name: 25-1431 - Georgetown Commons
Job Location: Georgetown, KY
Contractor: Winwater Hartford KY Co.

PC: A. Chambers
 TECH: J. Coppage
 Plant: Beaver Dam



Structure ID: **SCI 30**
 Spec: Storm
 Type: STM.MH
 Size: 72"

Rim: 868.5'
 Invert: 859.5'
 Rim to Invert: 9'

Sump: 3.15"
 Floor (Top): 859.238'
 Floor Height: 8"

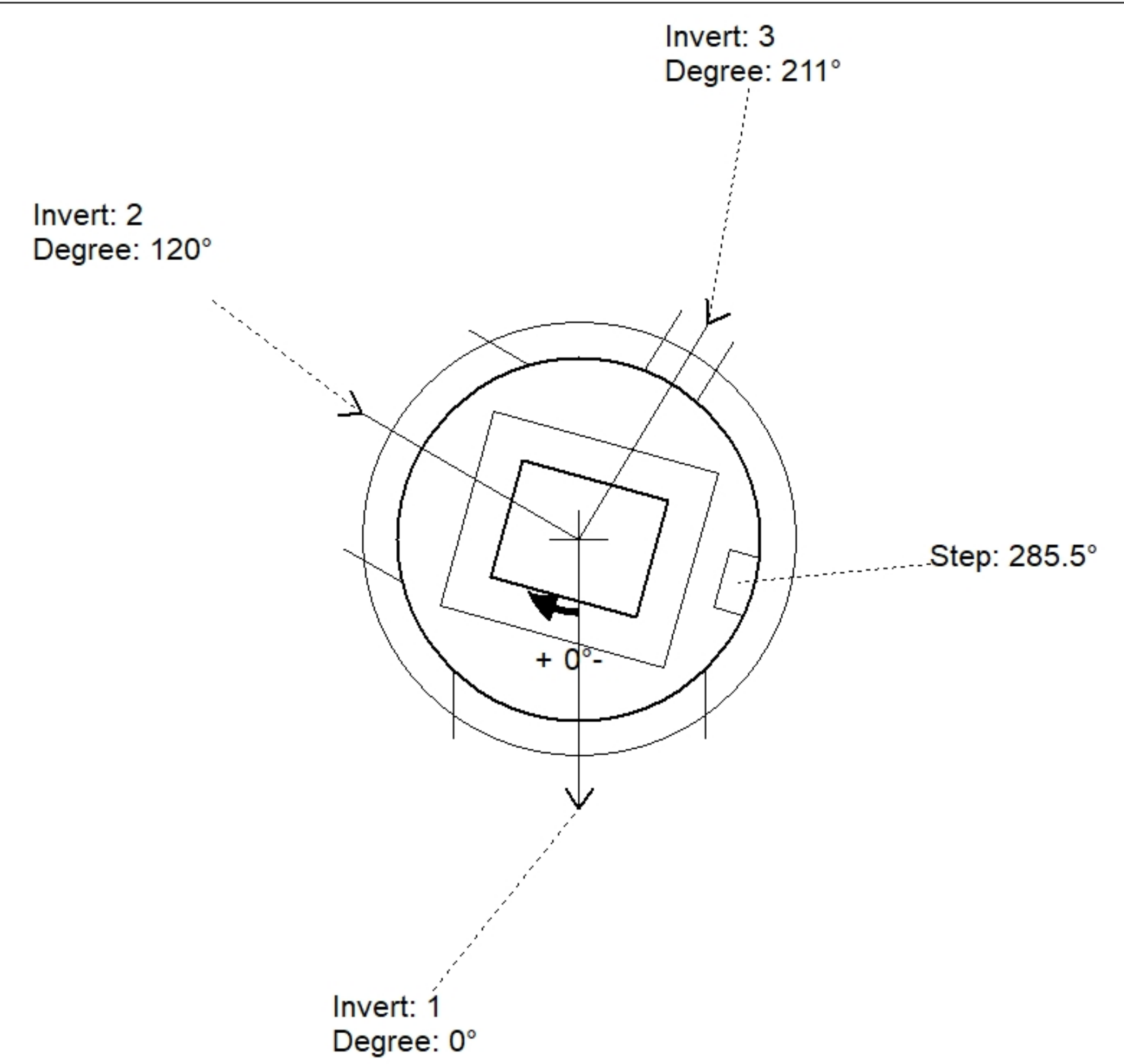
Floor (Bot): 858.571'
 Overall Height: 9.667'
 Slack: 3.15"

Structure Notes:

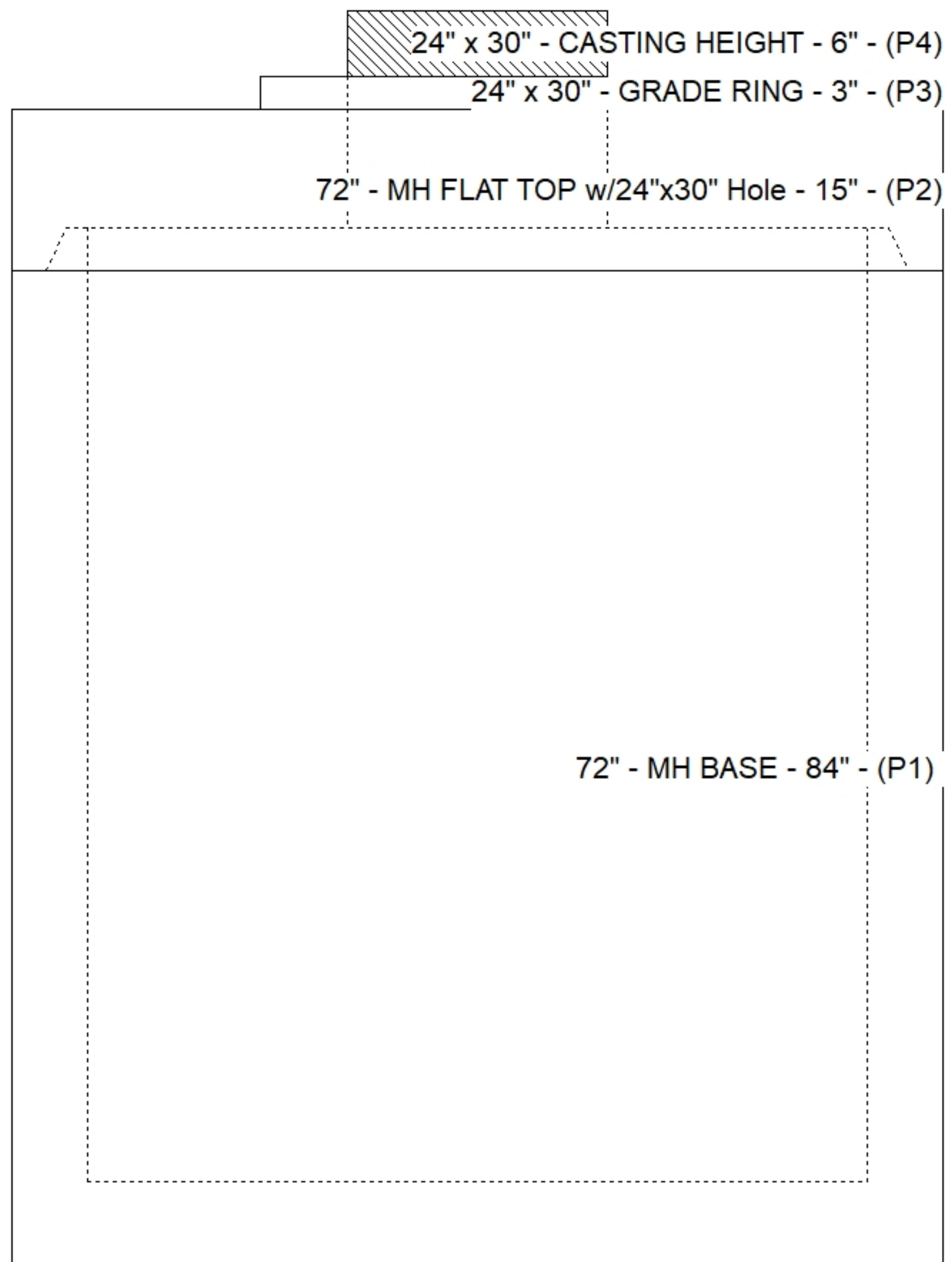
1. JR HOE HOE-360 PROVIDED BY ICAST.
2. PER ASTM C478 SPECIFICATIONS.
3. CONCRETE = 4,000 PSI AT 28 DAYS.
4. REINFORCING PER ASTM A615 (GRADE 60).
 - TOP SLAB (As .62) #5 BARS AT 6" C.C.E.W..
 - RISER/WALLS (As .18)
 - FLOOR (As .37) #5 BARS AT 10" C.C.E.W.

STRUCTURE SUMMARY:

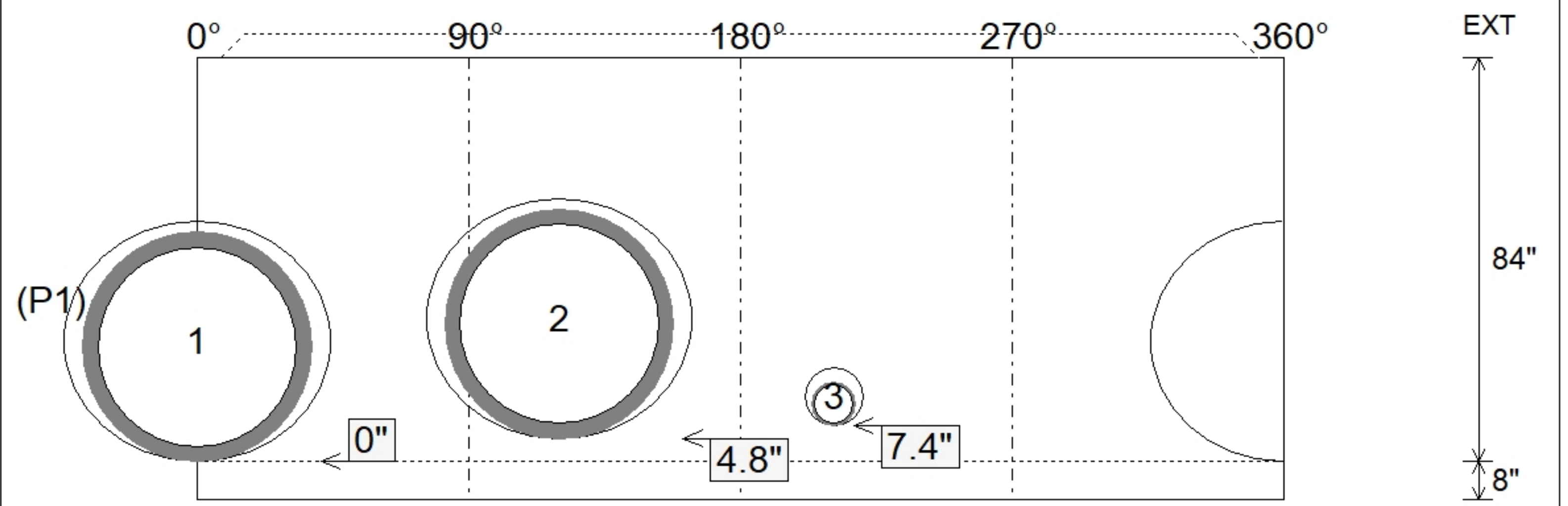
P4) 24" x 30" - CASTING HEIGHT - 6"	0 lb
P3) 24" x 30" - GRADE RING - 3"	282 lb
P2) 72" - MH FLAT TOP w/24"x30" Hole - 15"	4561 lb
P1) 72" - MH BASE - 84"	13573 lb
1) CASTING - HOE 360 Set (F/G/H)	362 lb
1) 72" - Conseal CS-102 1.00"	0 lb
2) 24" x 30" - Conseal CS-102 1.00"	0 lb
2) Hole - 50	0 lb
1) Hole - 12	0 lb
7) MH Step ML-10-TDS-NCR - 10"	0 lb
Structure Total:	18778 lb



Position	Elev	Angle	Pipe	Pipe OD	Hole	Connector	Up (")	Ref
Rim	868.5'							
Reducer								
Invert 1	859.5'	0°	42" HDPE	47.7"	50"	Hole 50	0"	P1
Invert 2	859.9'	120°	42" HDPE	47.7"	50"	Hole 50	4.8"	P1
Invert 3	859.9'	211°	8" HDPE	9.1"	12"	Hole 12	7.4"	P1
Invert 4								
Invert 5								
Invert 6								
Invert 7								
Invert 8								



Default - Interior Dimensions



Submittal Drawing
 4/24/2026 11:00:44 AM

SUBMITTAL
 APPROVED BY: