

Job Name: 25-1431 - Georgetown Commons
Job Location: Georgetown, KY
Contractor: Winwater Hartford KY Co.

PC: A. Chambers
 TECH: J. Coppage
 Plant: Beaver Dam



Structure ID: **SCI 21**
 Spec: Storm
 Type: STM.MH
 Size: 48"

Rim: 870.95'
 Invert: 864'
 Rim to Invert: 6.95'

Sump: 1.25"
 Floor (Top): 863.896'
 Floor Height: 6"

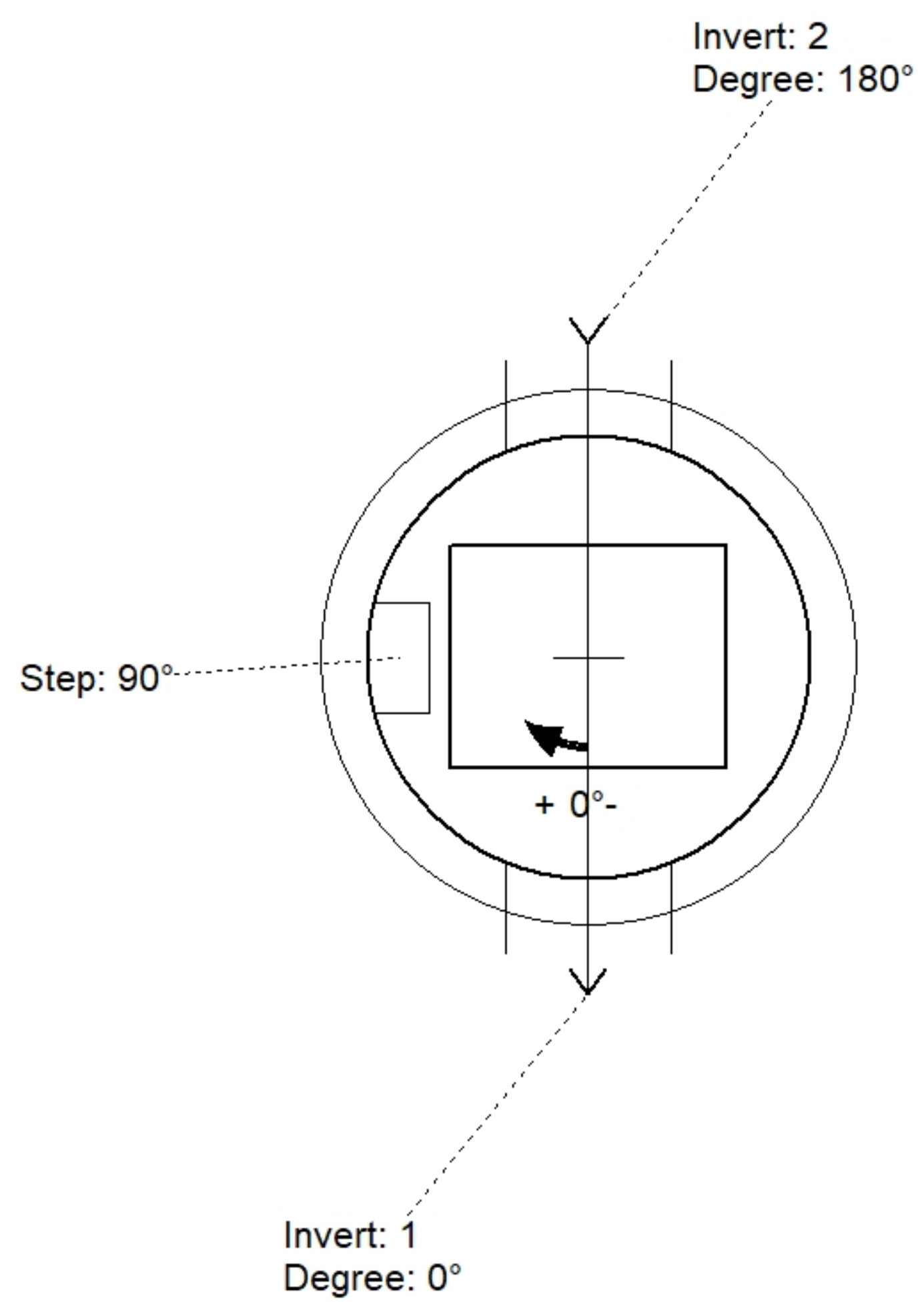
Floor (Bot): 863.396'
 Overall Height: 7.333'
 Slack: 2.65"

Structure Notes:

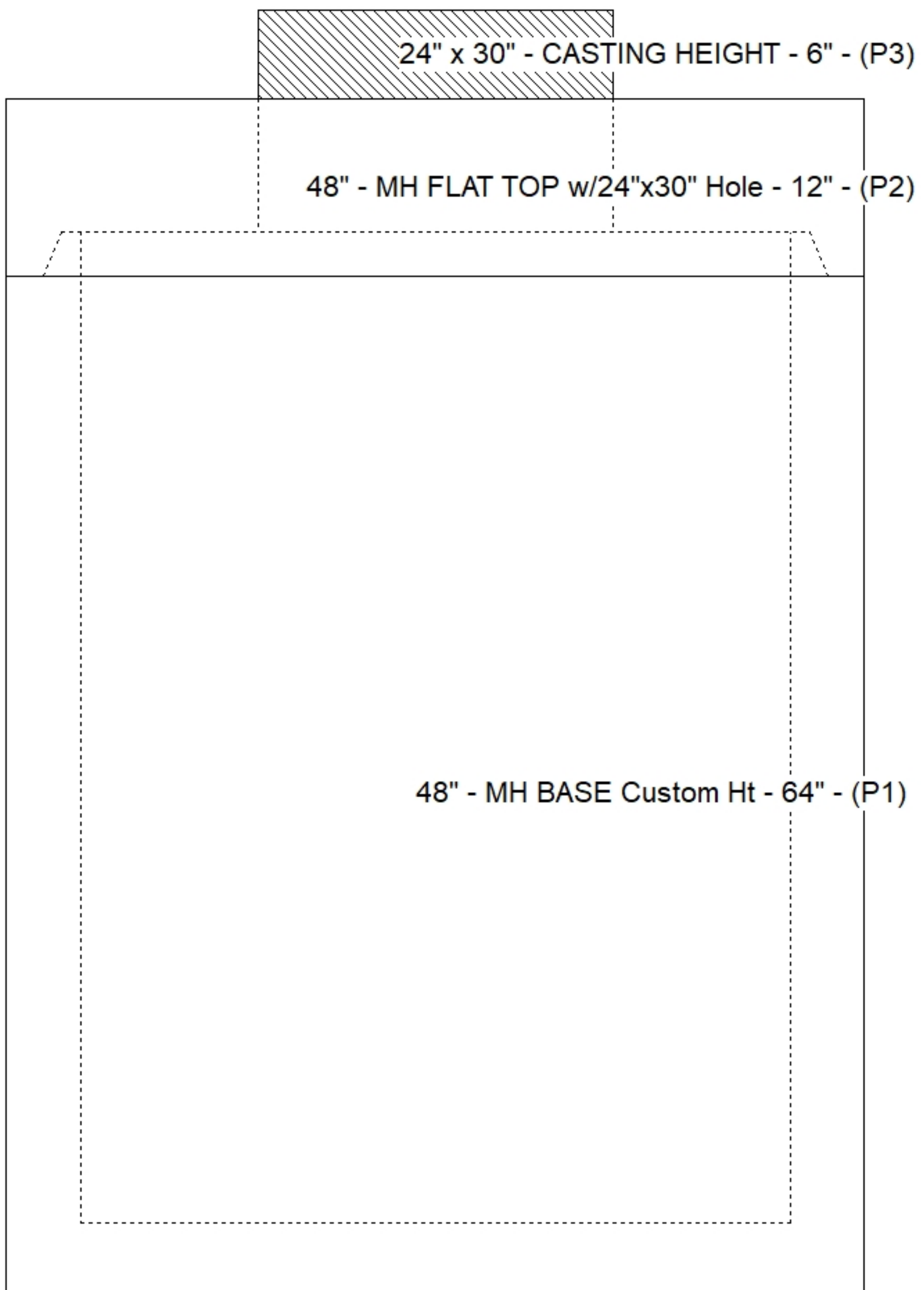
1. JR HOE HOE-360 PROVIDED BY ICAST.
2. PER ASTM C478 SPECIFICATIONS.
3. CONCRETE = 4,000 PSI AT 28 DAYS.
4. REINFORCING PER ASTM A615 (GRADE 60).
 - TOP SLAB (As .62) #5 BARS AT 6" C.C.E.W..
 - RISER/WALLS (As .12)
 - FLOOR (As .31) #5 BARS AT 12" C.C.E.W.

STRUCTURE SUMMARY:

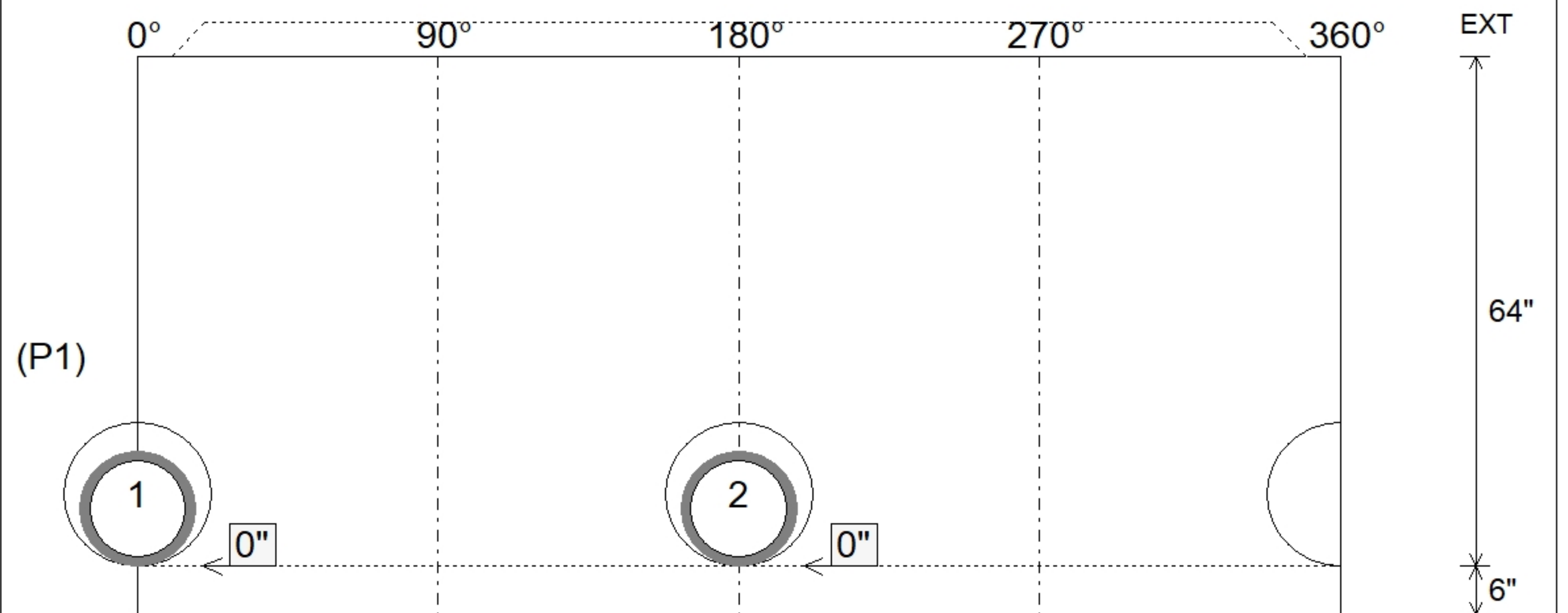
P3) 24" x 30" - CASTING HEIGHT - 6"	0 lb
P2) 48" - MH FLAT TOP w/24"x30" Hole - 12"	1935 lb
P1) 48" - MH BASE Custom Ht - 64"	5583 lb
1) CASTING - HOE 360 Set (F/G/H)	362 lb
1) 48" - Conseal CS-102 1.00"	0 lb
1) 24" x 30" - Conseal CS-102 1.00"	0 lb
2) Hole - 18	0 lb
5) MH Step ML-10-TDS-NCR - 10"	0 lb
Structure Total:	7881 lb



Position	Elev	Angle	Pipe	Pipe OD	Hole	Connector	Up ()	Ref
Rim	870.95'							
Reducer								
Invert 1	864'	0°	12" HDPE	14.5"	18"	Hole 18	0"	P1
Invert 2	864'	180°	12" HDPE	14.5"	18"	Hole 18	0"	P1
Invert 3								
Invert 4								
Invert 5								
Invert 6								
Invert 7								
Invert 8								



Default - Interior Dimensions



Submittal Drawing
 4/24/2026 11:00:41 AM

SUBMITTAL
 APPROVED BY: