

Job Name: 25-1431 - Georgetown Commons
Job Location: Georgetown, KY
Contractor: Winwater Hartford KY Co.

PC: A. Chambers
 TECH: J. Coppage
 Plant: Beaver Dam



Structure ID: **SCI 161**
 Spec: Storm
 Type: STM.MH
 Size: 72"

Rim: 869.15'
 Invert: 860.4'
 Rim to Invert: 8.75'

Sump: 1.9"
 Floor (Top): 860.242'
 Floor Height: 8"

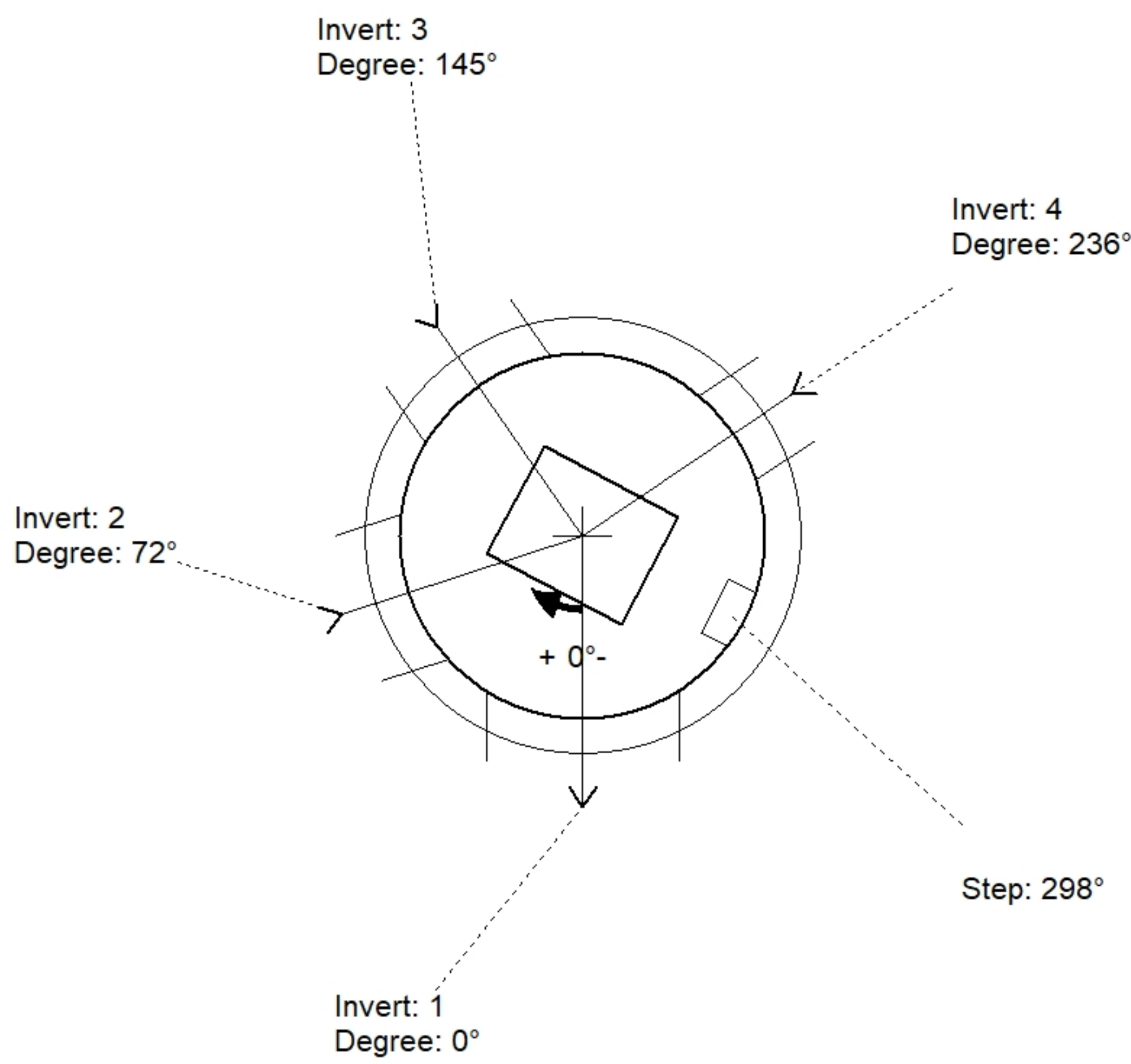
Floor (Bot): 859.575'
 Overall Height: 9.417'
 Slack: 1.9"

Structure Notes:

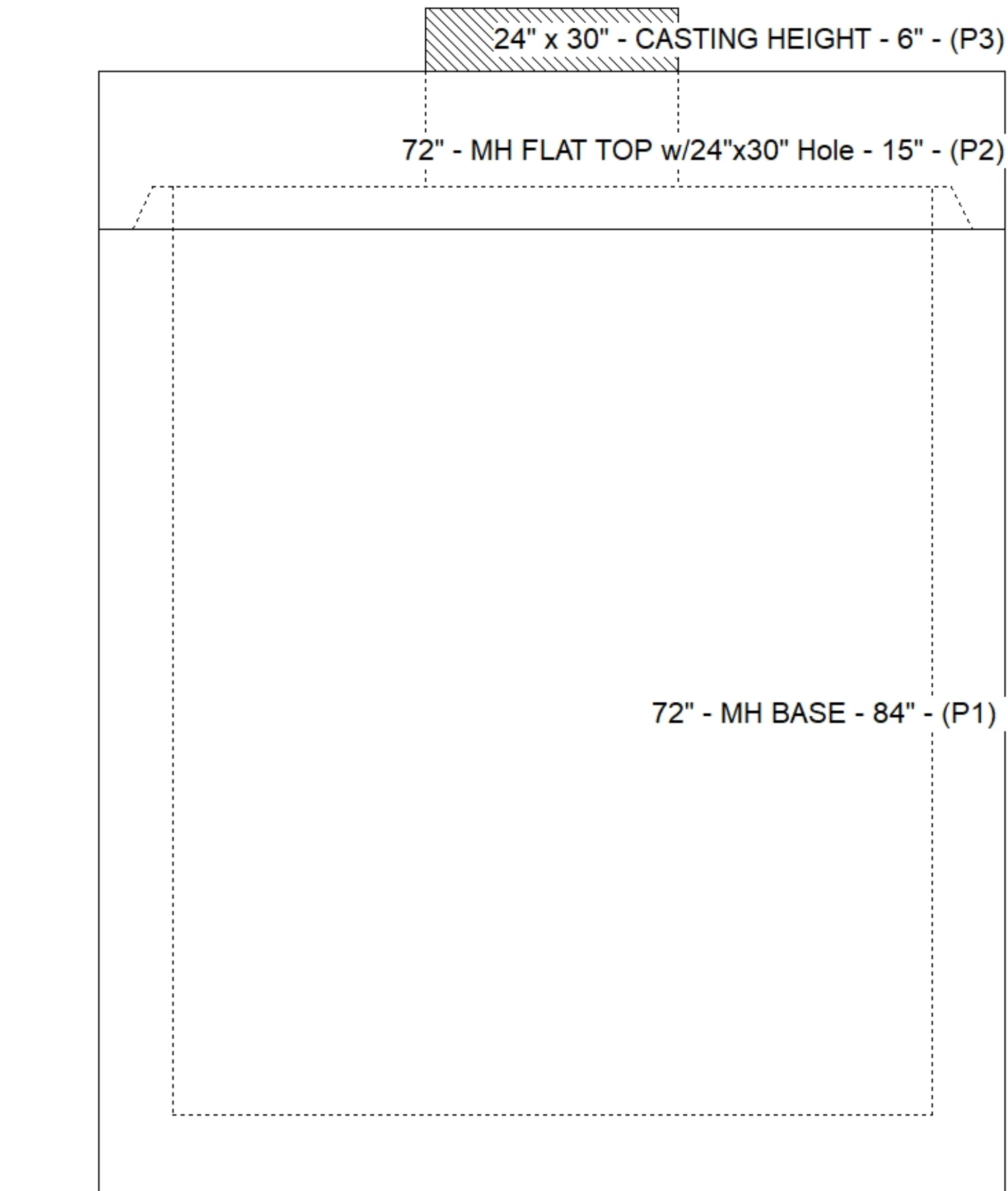
- JR HOE HOE-360 PROVIDED BY ICAST.
- PER ASTM C478 SPECIFICATIONS.
- CONCRETE = 4,000 PSI AT 28 DAYS.
- REINFORCING PER ASTM A615 (GRADE 60).
 - TOP SLAB (As .62) #5 BARS AT 6" C.C.E.W..
 - RISER/WALLS (As .12)
 - FLOOR (As .31) #5 BARS AT 12" C.C.E.W.
- VERIFY THE SIZE, TYPE, AND ELEVATION OF THE ROOF DRAIN.

STRUCTURE SUMMARY:

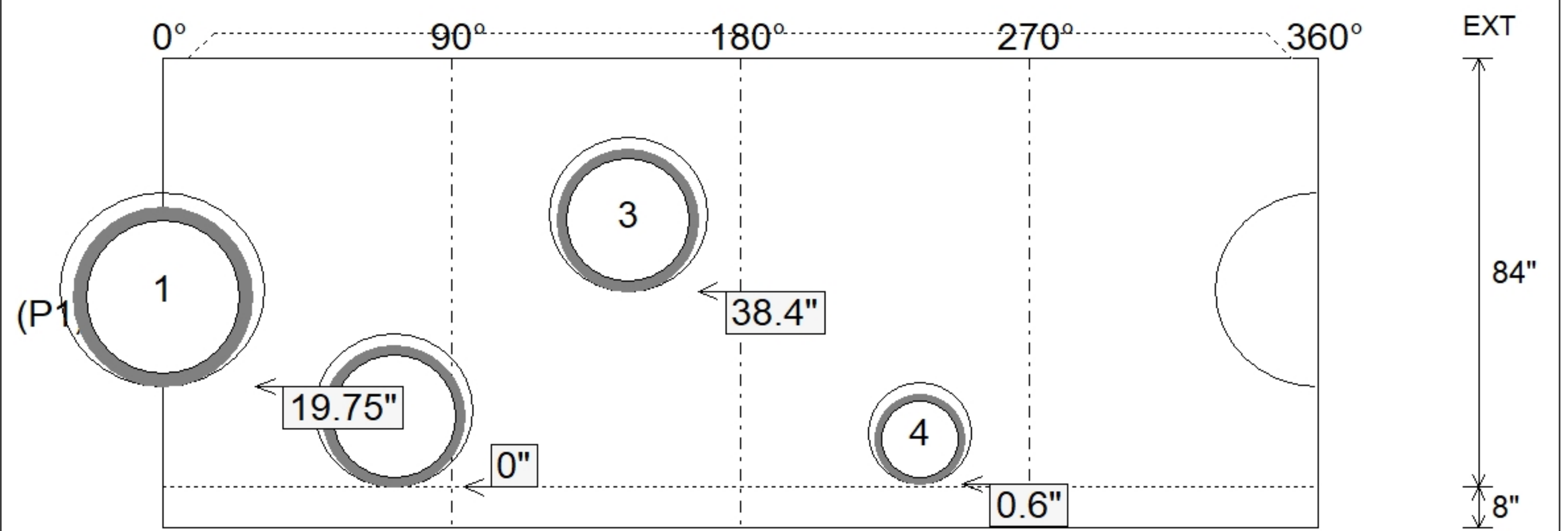
P3) 24" x 30" - CASTING HEIGHT - 6"	0 lb
P2) 72" - MH FLAT TOP w/24"x30" Hole - 15"	4561 lb
P1) 72" - MH BASE - 84"	14410 lb
1) CASTING - HOE 360 Set (F/G/H)	362 lb
1) 72" - Conseal CS-102 1.00"	0 lb
1) 24" x 30" - Conseal CS-102 1.00"	0 lb
1) Hole - 38	0 lb
2) Hole - 30	0 lb
1) Hole - 20	0 lb
7) MH Step ML-10-TDS-NCR - 10"	0 lb
Structure Total:	19333 lb



Position	Elev	Angle	Pipe	Pipe OD	Hole	Connector	Up (")	Ref
Rim	869.15'							
Reducer								
Invert 1	862.1'	0°	30" HDPE	35.1"	38"	Hole 38	19.75"	P1
Invert 2	860.4'	72°	24" HDPE	27.8"	30"	Hole 30	0"	P1
Invert 3	863.6'	145°	24" HDPE	27.8"	30"	Hole 30	38.4"	P1
Invert 4	860.4'	236°	15" HDPE	17.6"	20"	Hole 20	0.6"	P1
Invert 5								
Invert 6								
Invert 7								
Invert 8								



Default - Interior Dimensions



Submittal Drawing
 4/10/2026 10:35:22 AM

SUBMITTAL
 APPROVED BY: