

Job Name: 25-1431 - Georgetown Commons
 Job Location: Georgetown, KY
 Contractor: Winwater Hartford KY Co.

Plant: Beaver Dam

4/9/2026 10:00:01 AM

Tech: J. Coppage

PC: A. Chambers



Structure ID: SCI 161

P1 MH072BA84

MH BASE

- P3) 24" x 30" - CASTING HEIGHT - 6"
- P2) 72" - MH FLAT TOP w/24"x30" Hole - 15"
- P1) 72" - MH BASE - 84"
- 1) CASTING - HOE 360 Set (F/G/H)
- 1) 72" - Conseal CS-102 1.00"
- 1) 24" x 30" - Conseal CS-102 1.00"
- 1) Hole - 38
- 2) Hole - 30
- 1) Hole - 20
- 7) MH Step ML-10-TDS-NCR - 10"

- Structure Notes:
1. JR HOE HOE-360 PROVIDED BY ICAST.
 2. PER ASTM C478 SPECIFICATIONS.
 3. CONCRETE = 4,000 PSI AT 28 DAYS.
 4. REINFORCING PER ASTM A615 (GRADE 60).
 - TOP SLAB (As .62) #5 BARS AT 6" C.C.E.W..
 - RISER/WALLS (As .12)
 - FLOOR (As .31) #5 BARS AT 12" C.C.E.W.
 5. VERIFY THE SIZE, TYPE, AND ELEVATION OF THE ROOF DRAIN.

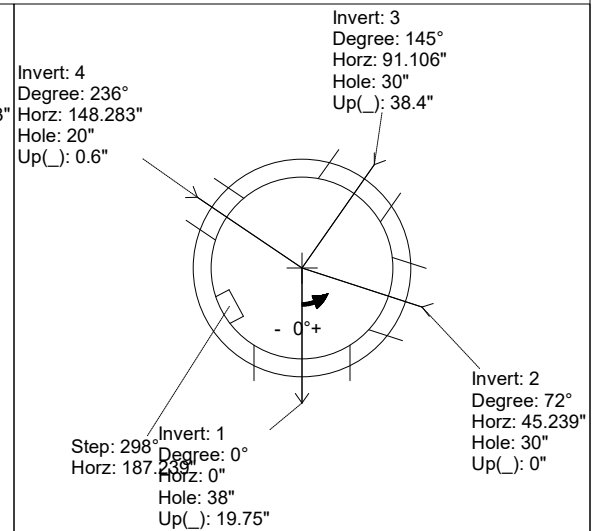
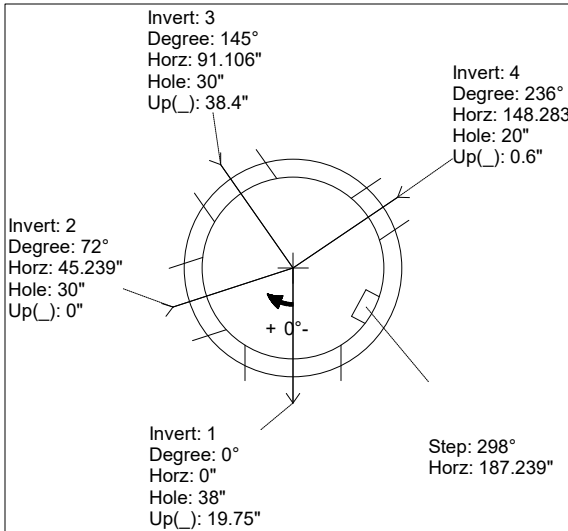
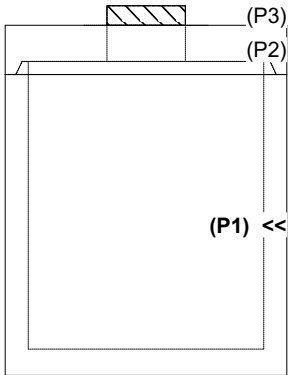
Structure Total: 19333 lb

Rim: 869.15' Rim to Invert: 8.75' Slack: 1.9" Sump: 1.9" Step Position: 298"

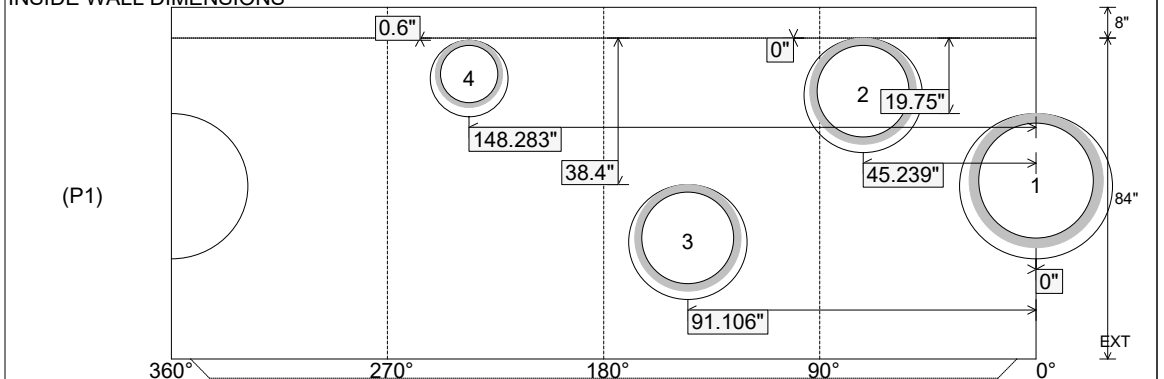
Position	Elev	Angle	Ext. (cw)	Pipe	Pipe OD	Connector	Hole	Horz Size	Up ()	Offset
Invert 1	862.1'	0°	0"	30" HDPE	35.1"	Hole 38	38"	40.031"	19.75"	0"
Invert 2	860.4'	72°	54.035"	24" HDPE	27.8"	Hole 30	30"	30.944"	0"	0"
Invert 3	863.6'	145°	108.821"	24" HDPE	27.8"	Hole 30	30"	30.944"	38.4"	0"
Invert 4	860.4'	236°	177.116"	15" HDPE	17.6"	Hole 20	20"	20.267"	0.6"	0"
Invert 5										
Invert 6										
Invert 7										
Invert 8										

RIGHT-SIDE UP VIEW (int. dimensions)

UPSIDE-DOWN VIEW (int. dimensions)



INSIDE WALL DIMENSIONS



Coating (Int):
Coating (Ext):

Seam Up: Tongue
Seam Dn: n/a

Wall Thickness: 7"
Floor Height: 8"

Height (Int): 84"
Height (Ext): 92"

Weight (Net): 14410 lb
Volume (Net): 3.68cu.yd