

Job Name: 25-1431 - Georgetown Commons
 Job Location: Georgetown, KY
 Contractor: Winwater Hartford KY Co.

Plant: Beaver Dam

4/23/2026 11:30:28 AM

Tech: J. Coppage

PC: A. Chambers



Structure ID: SCI 12

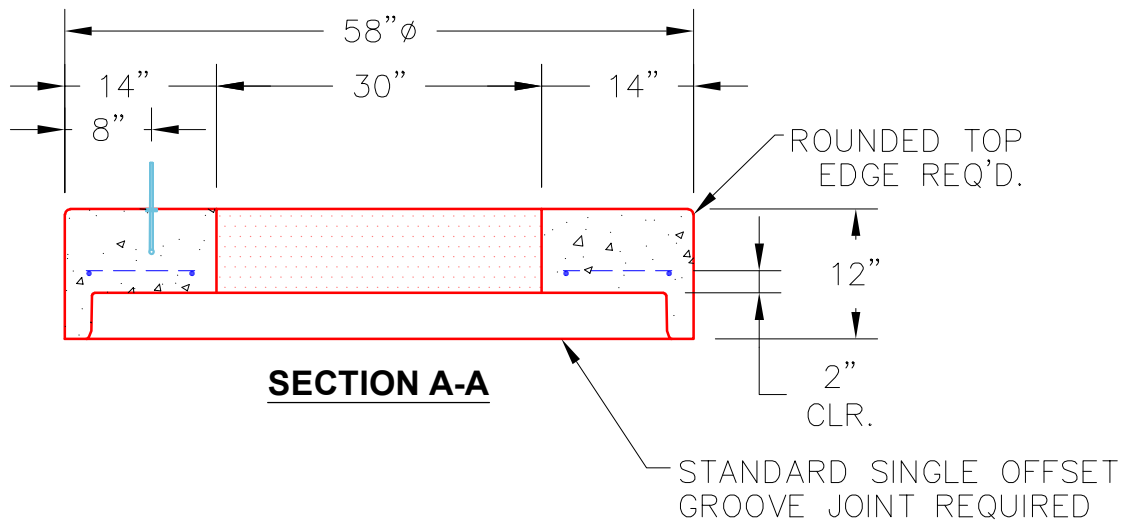
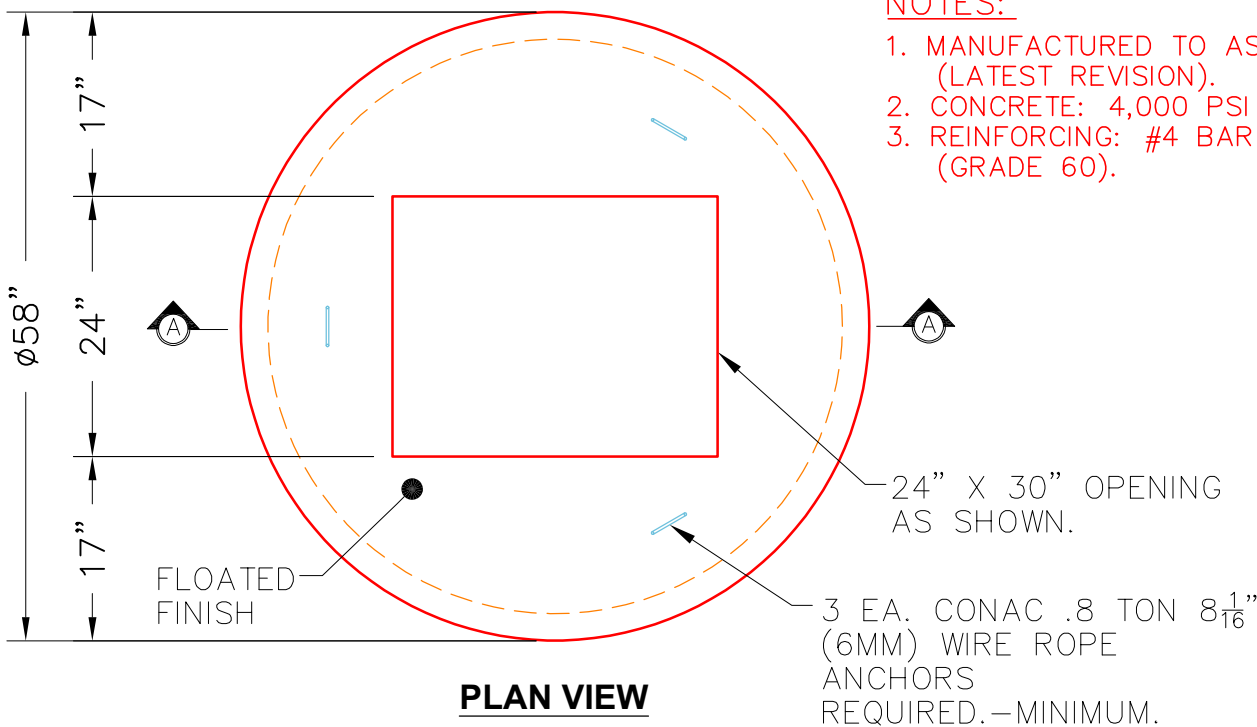
P2 MH048LD12-24X30RECT

MH FLAT TOP w/24"x30" Hole

- P3) 24" x 30" - CASTING HEIGHT - 6"
- P2) 48" - MH FLAT TOP w/24"x30" Hole - 12"
- P1) 48" - MH BASE Custom Ht - 65"
- 1) CASTING - HOE 360 Set (F/G/H)
- 1) 48" - Conseal CS-102 1.00"
- 1) 24" x 30" - Conseal CS-102 1.00"
- 2) Hole - 30
- 5) MH Step ML-10-TDS-NCR - 10"

0 lb	Structure Notes:
1935 lb	1. JR HOE HOE-360 PROVIDED BY ICAST.
5239 lb	2. PER ASTM C478 SPECIFICATIONS.
362 lb	3. CONCRETE = 4,000 PSI AT 28 DAYS.
0 lb	4. REINFORCING PER ASTM A615 (GRADE 60).
0 lb	- TOP SLAB (As .62) #5 BARS AT 6" C.C.E.W..
0 lb	- RISER/WALLS (As .12)
0 lb	- FLOOR (As .31) #5 BARS AT 12" C.C.E.W.

Structure Total:	7536 lb



Coating (Int):
 Coating (Ext):

Seam Up: Flat
 Seam Dn: Groove

Wall Thickness: 5"

Height (Ext): 12"

Weight (Net): 1935 lb
 Volume (Net): 0.49cu.yd