

Job Name: 25-1431 - Georgetown Commons
Job Location: Georgetown, KY
Contractor: Winwater Hartford KY Co.

PC: A. Chambers
 TECH: J. Coppage
 Plant: Beaver Dam



Structure ID: **SCI 118**
 Spec: Storm
 Type: BX 8inW, 8inF
 Size: 24" x 30"

Rim: 869.5'
 Invert: 864.75'
 Rim to Invert: 4.75'

Sump: 1.25"
 Floor (Top): 864.646'
 Floor Height: 8"

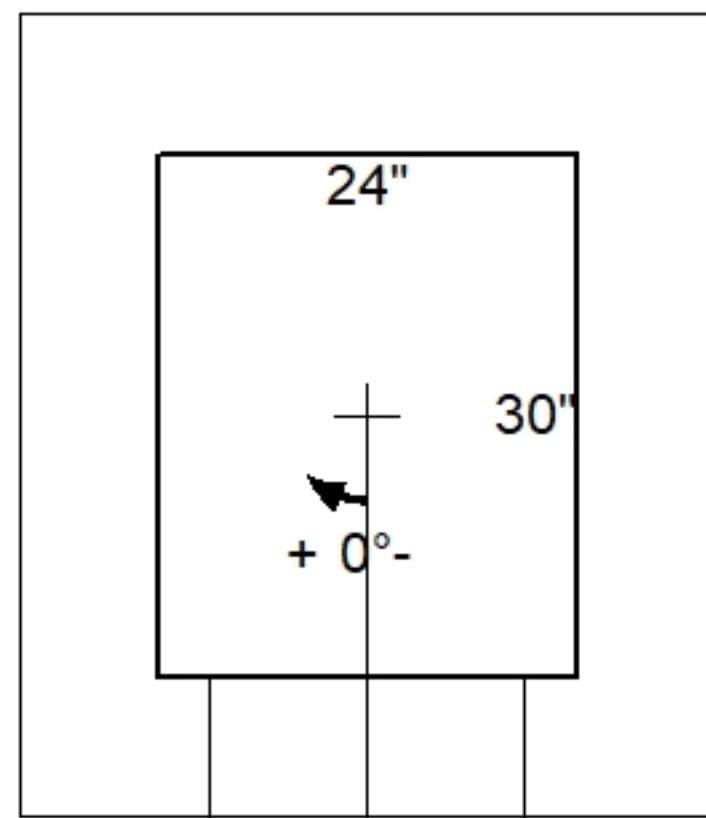
Floor (Bot): 863.979'
 Overall Height: 5.417'
 Slack: 1.25"

Structure Notes:

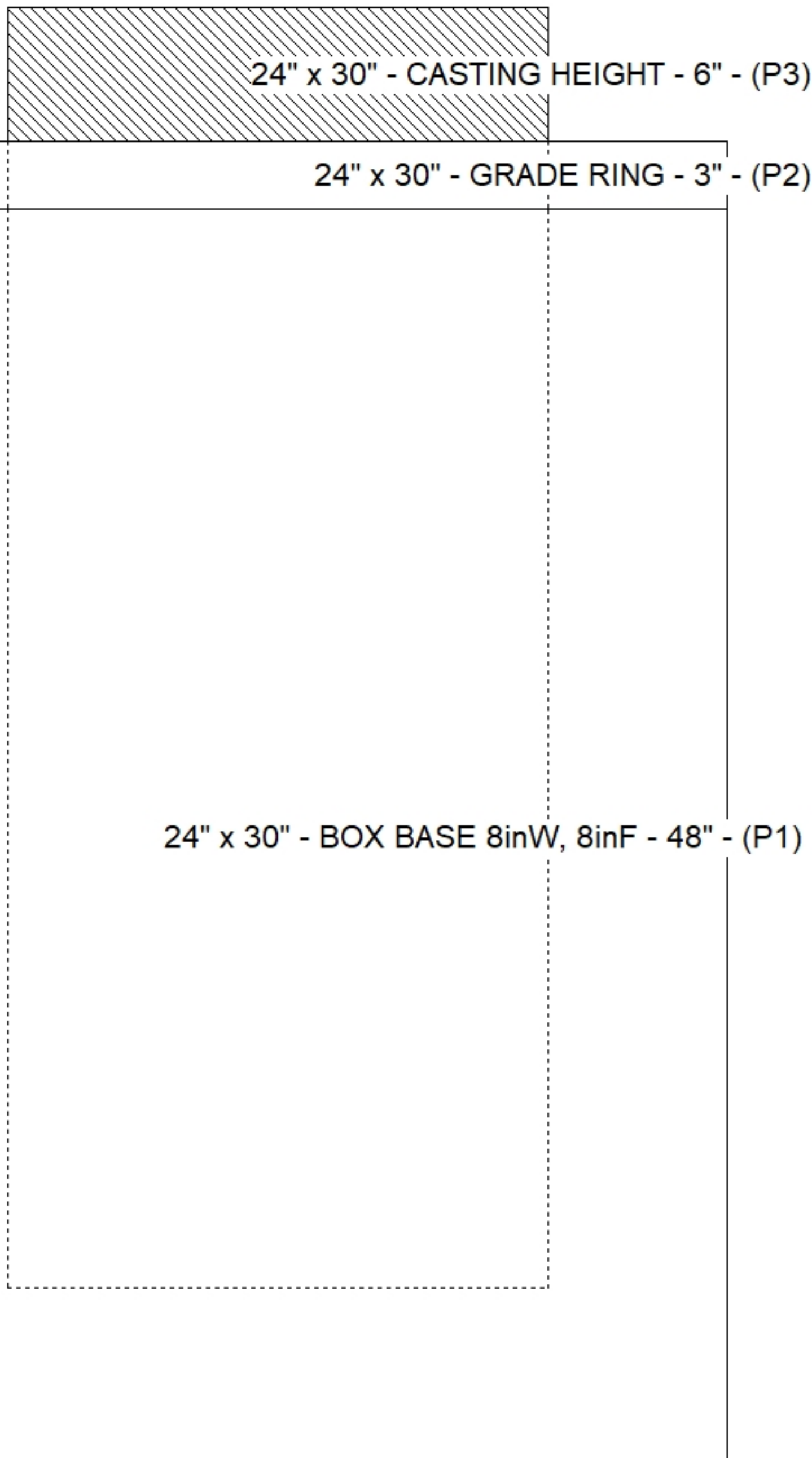
1. JR HOE HOE-360 PROVIDED BY ICAST.
2. PER ASTM C913 SPECIFICATIONS.
3. CONCRETE = 4,000 PSI AT 28 DAYS.
4. REINFORCING PER ASTM A615 (GRADE 60).
 - RISER/WALLS (As .31) #5 BARS AT 12" C.C.E.W.
 - FLOOR (As .31) #5 BARS AT 12" C.C.E.W.

STRUCTURE SUMMARY:

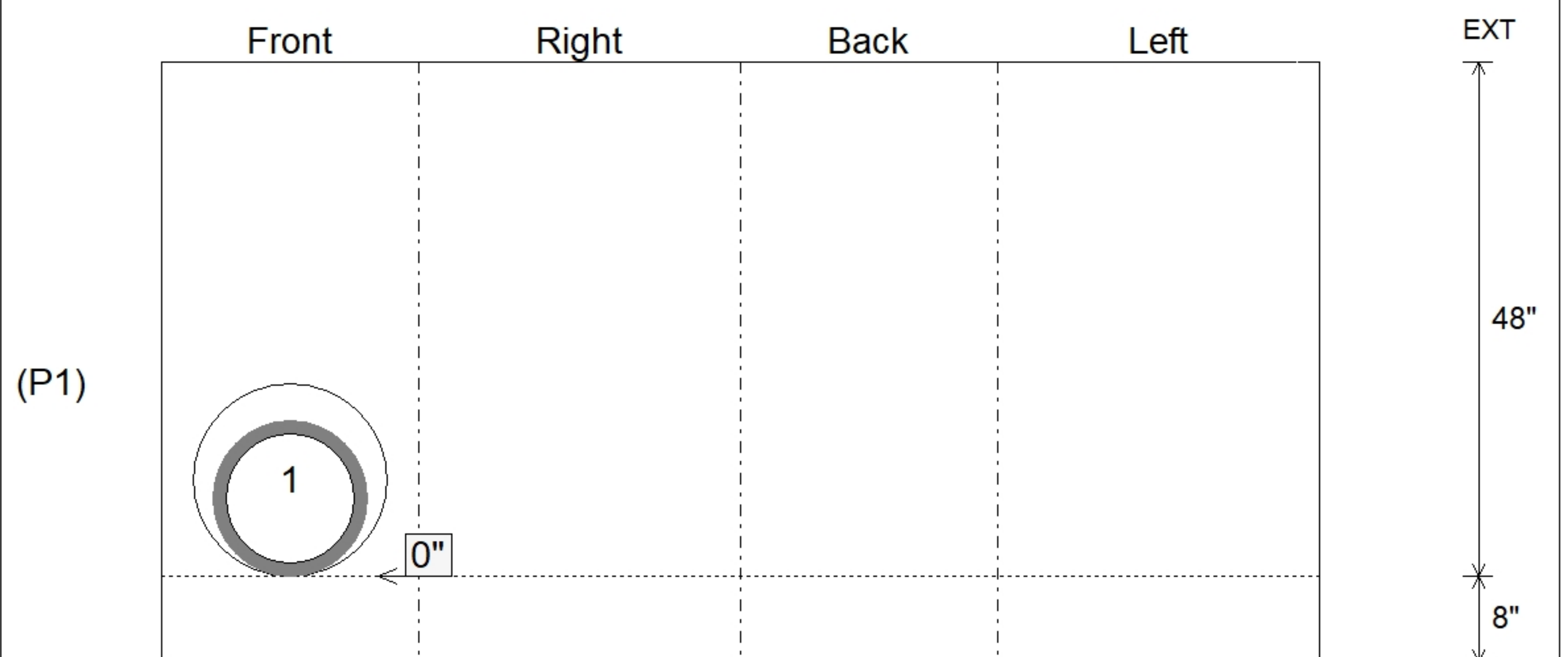
P3) 24" x 30" - CASTING HEIGHT - 6"	0 lb
P2) 24" x 30" - GRADE RING - 3"	282 lb
P1) 24" x 30" - BOX BASE 8inW, 8inF - 48"	5575 lb
1) CASTING - HOE 360 Set (F/G/H)	362 lb
2) 24" x 30" - Conseal CS-102 1.00"	0 lb
1) Hole - 18	0 lb
Structure Total:	6219 lb



Position	Elev	Angle	Pipe	Pipe OD	Hole	Connector	Up ()	Ref
Rim	869.5'							
Reducer								
Invert 1	864.75'	0°	12" HDPE	14.5"	18"	Hole 18	0"	P1
Invert 2								
Invert 3								
Invert 4								
Invert 5								
Invert 6								
Invert 7								
Invert 8								



Default - Interior Dimensions



Submittal Drawing
 4/24/2026 11:00:59 AM

SUBMITTAL
 APPROVED BY: