

**Job Name: 25-1431 - Georgetown Commons**  
**Job Location: Georgetown, KY**  
**Contractor: Winwater Hartford KY Co.**

PC: A. Chambers  
 TECH: J. Coppage  
 Plant: Beaver Dam



Structure ID: **SCI 112**  
 Spec: Storm  
 Type: STM.MH  
 Size: 60"

Rim: 870.5'  
 Invert: 861.5'  
 Rim to Invert: 9'

Sump: 2.85"  
 Floor (Top): 861.263'  
 Floor Height: 8"

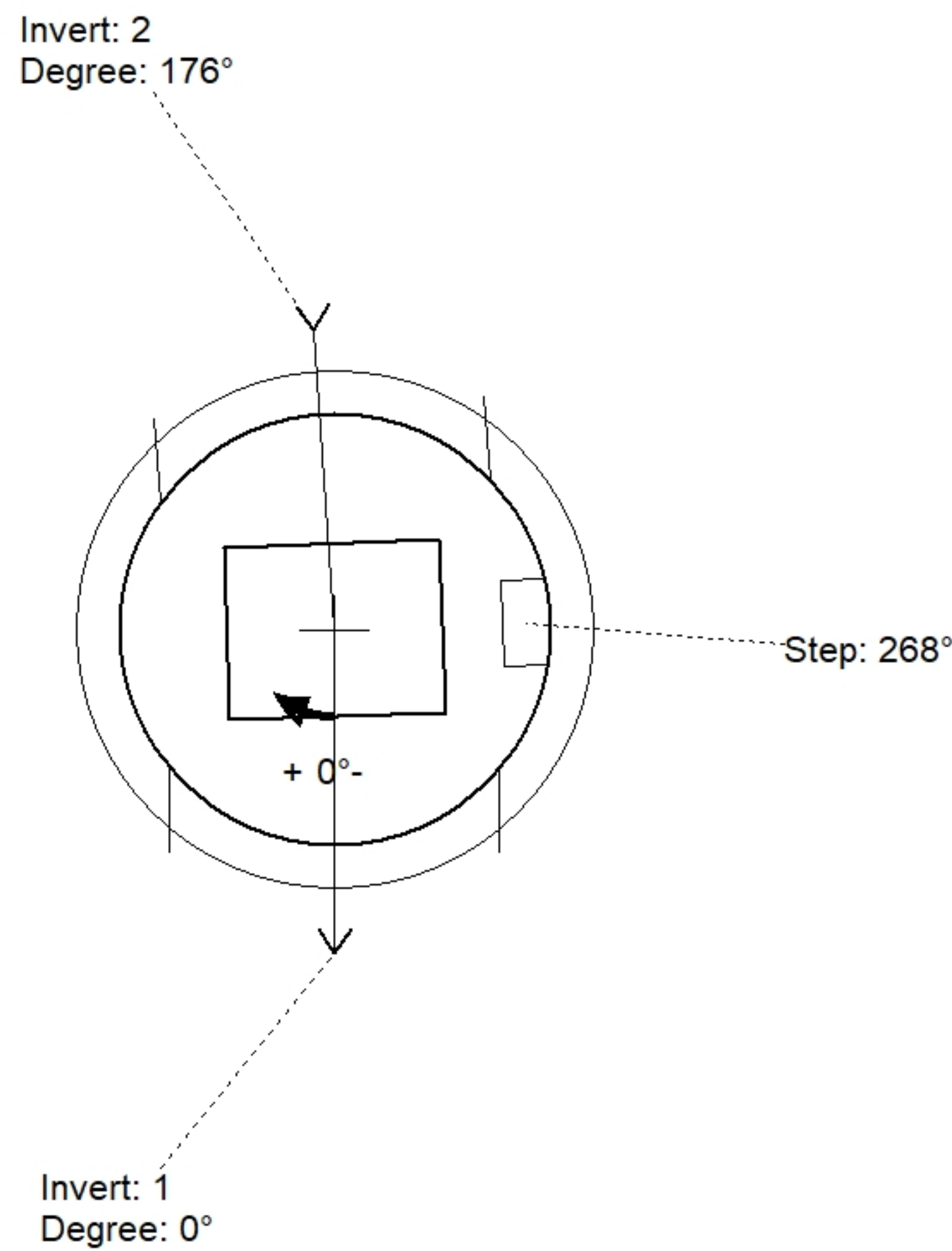
Floor (Bot): 860.596'  
 Overall Height: 9.75'  
 Slack: 1.85"

**Structure Notes:**

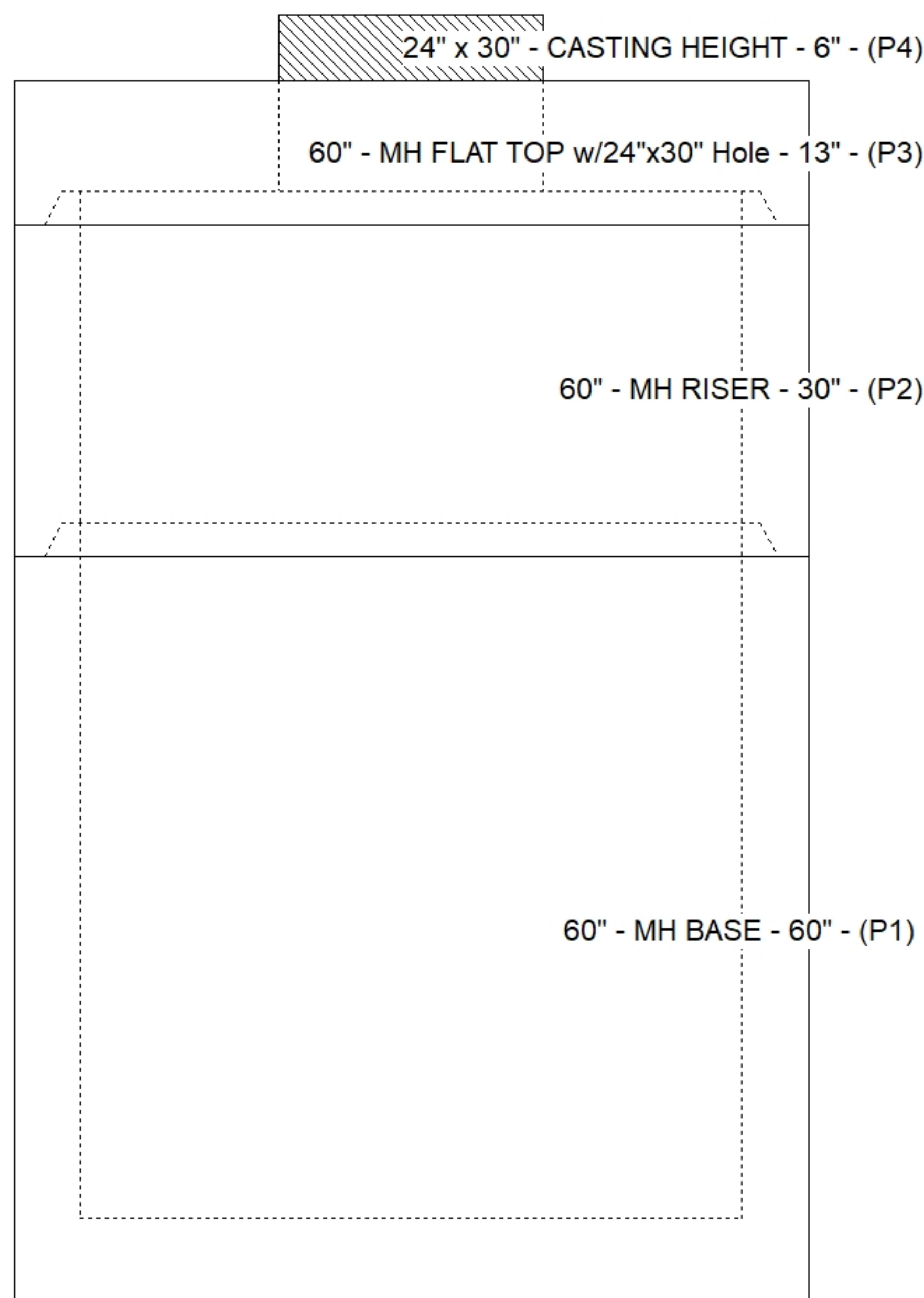
- JR HOE HOE-360 PROVIDED BY ICAST.
- PER ASTM C478 SPECIFICATIONS.
- CONCRETE = 4,000 PSI AT 28 DAYS.
- REINFORCING PER ASTM A615 (GRADE 60).  
 - TOP SLAB (As .62) #5 BARS AT 6" C.C.E.W..  
 - RISER/WALLS (As .18)  
 - FLOOR (As .37) #5 BARS AT 10" C.C.E.W.

**STRUCTURE SUMMARY:**

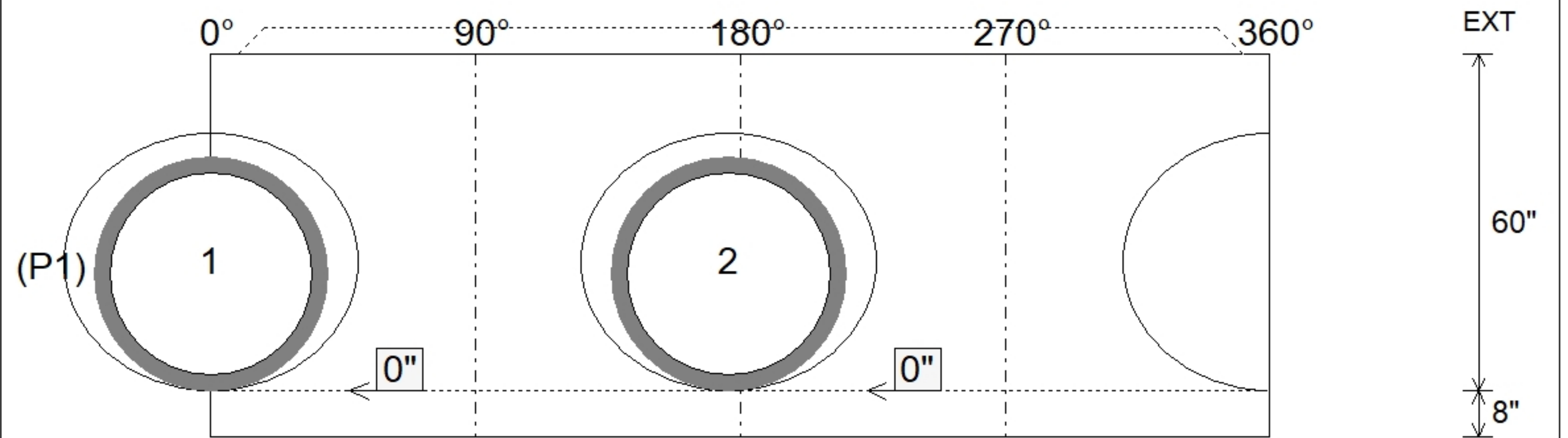
P4) 24" x 30" - CASTING HEIGHT - 6"	0 lb
P3) 60" - MH FLAT TOP w/24"x30" Hole - 13"	2668 lb
P2) 60" - MH RISER - 30"	3132 lb
P1) 60" - MH BASE - 60"	7136 lb
1) CASTING - HOE 360 Set (F/G/H)	362 lb
2) 60" - Conseal CS-102 1.00"	0 lb
1) 24" x 30" - Conseal CS-102 1.00"	0 lb
2) Hole - 46	0 lb
8) MH Step ML-10-TDS-NCR - 10"	0 lb
<b>Structure Total:</b>	<b>13297 lb</b>



Position	Elev	Angle	Pipe	Pipe OD	Hole	Connector	Up (")	Ref
Rim	870.5'							
Reducer								
Invert 1	861.5'	0°	36" HDPE	41.7"	46"	Hole 46	0"	P1
Invert 2	861.5'	176°	36" HDPE	41.7"	46"	Hole 46	0"	P1
Invert 3								
Invert 4								
Invert 5								
Invert 6								
Invert 7								
Invert 8								



**Default - Interior Dimensions**



Submittal Drawing  
 4/24/2026 11:00:56 AM

SUBMITTAL  
 APPROVED BY: