

Job Name: 25-1431 - Georgetown Commons
Job Location: Georgetown, KY
Contractor: Winwater Hartford KY Co.

PC: A. Chambers
 TECH: J. Coppage
 Plant: Beaver Dam



Structure ID: **SCI 103**
 Spec: Storm
 Type: STM.MH
 Size: 60"

Rim: 870.95'
 Invert: 864.35'
 Rim to Invert: 6.6'

Sump: 2.55"
 Floor (Top): 864.138'
 Floor Height: 8"

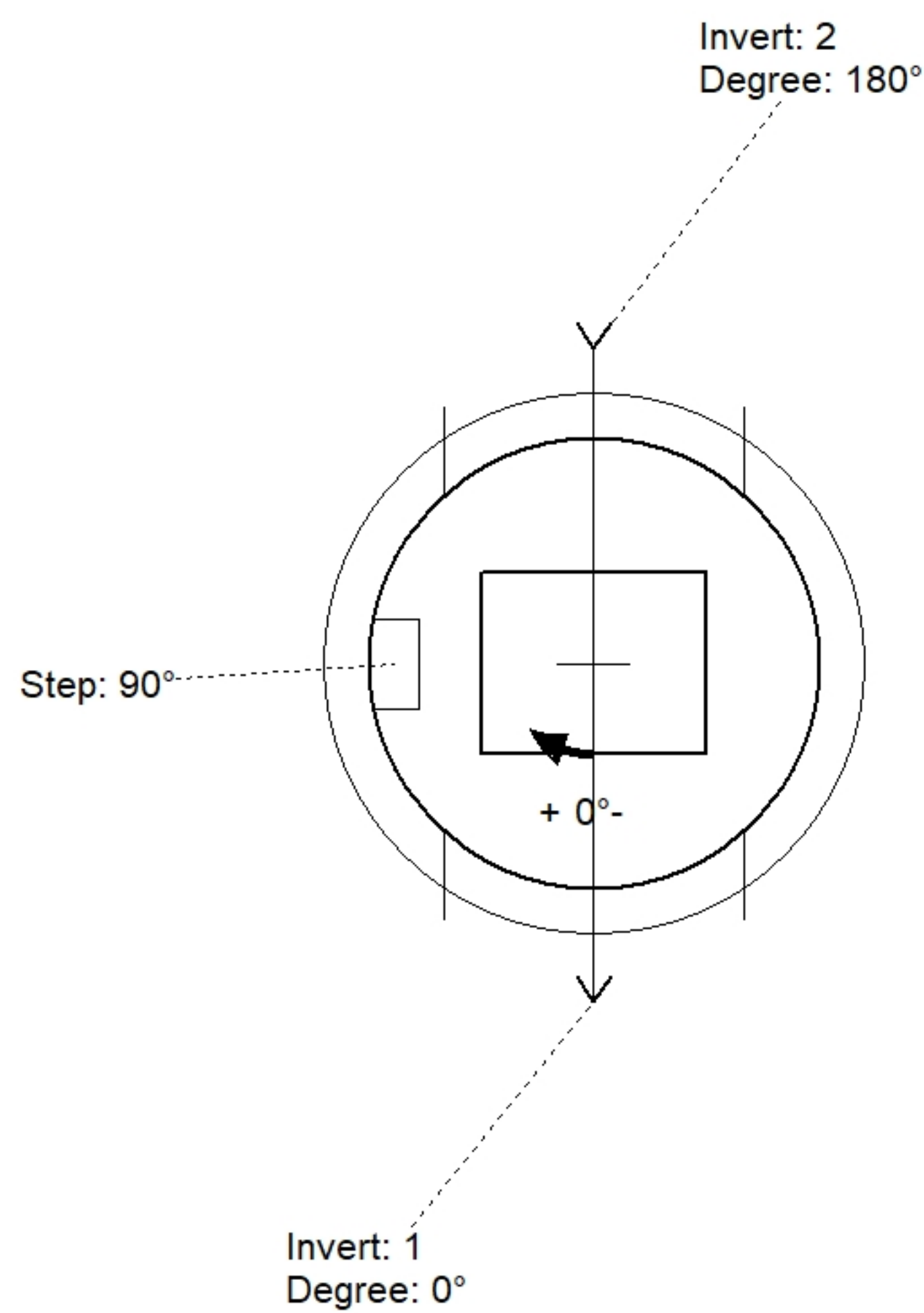
Floor (Bot): 863.471'
 Overall Height: 7.25'
 Slack: 2.75"

Structure Notes:

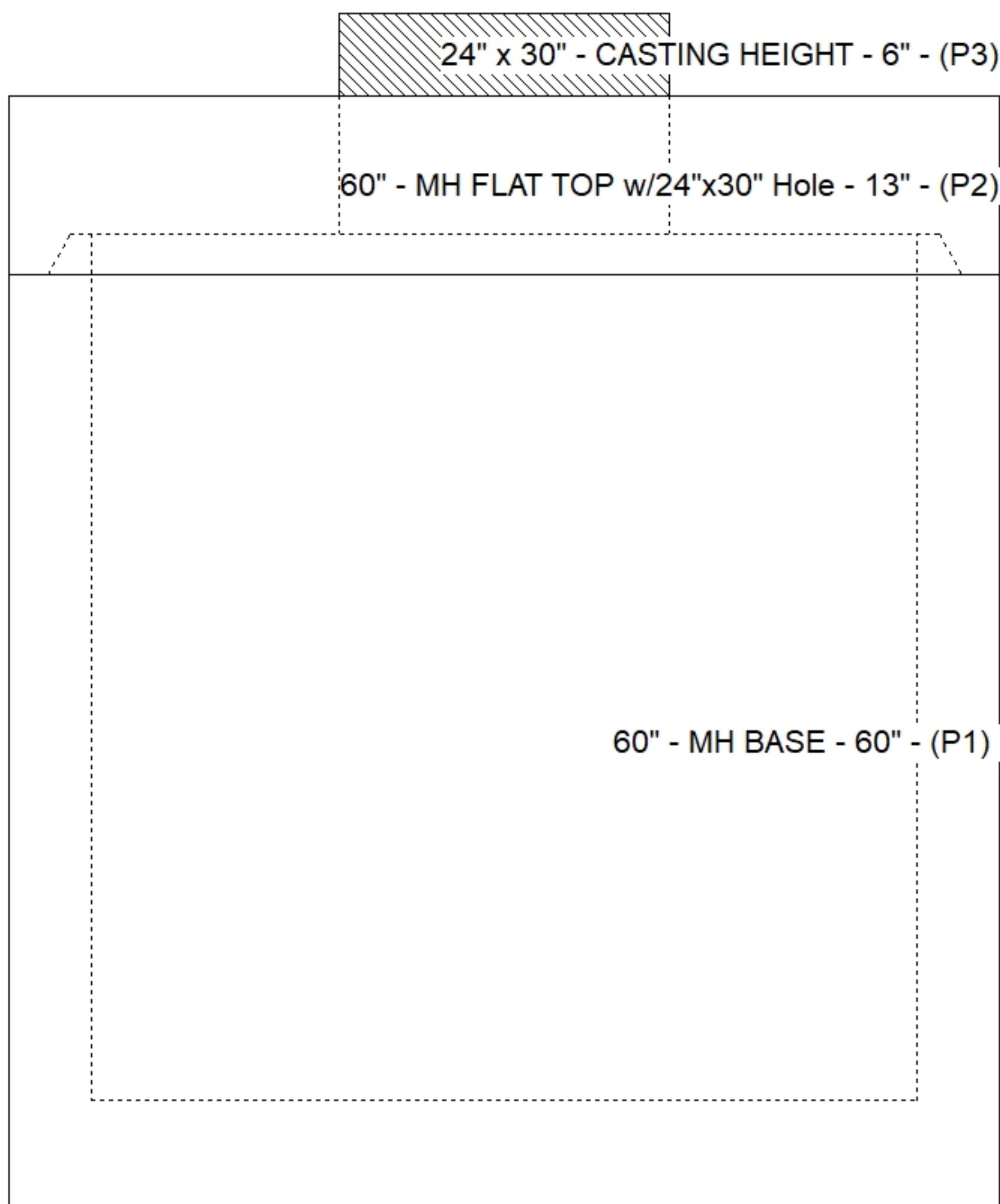
1. JR HOE HOE-360 PROVIDED BY ICAST.
2. PER ASTM C478 SPECIFICATIONS.
3. CONCRETE = 4,000 PSI AT 28 DAYS.
4. REINFORCING PER ASTM A615 (GRADE 60).
 - TOP SLAB (As .62) #5 BARS AT 6" C.C.E.W..
 - RISER/WALLS (As .18)
 - FLOOR (As .37) #5 BARS AT 10" C.C.E.W.

STRUCTURE SUMMARY:

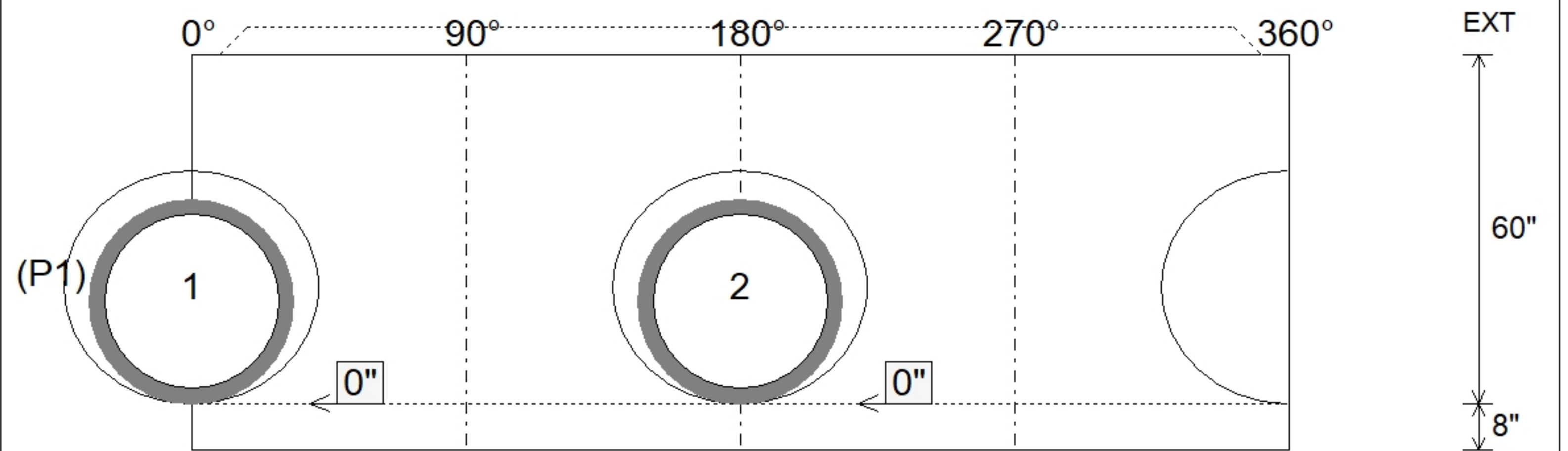
P3) 24" x 30" - CASTING HEIGHT - 6"	0 lb
P2) 60" - MH FLAT TOP w/24"x30" Hole - 13"	2668 lb
P1) 60" - MH BASE - 60"	7633 lb
1) CASTING - HOE 360 Set (F/G/H)	362 lb
1) 60" - Conseal CS-102 1.00"	0 lb
1) 24" x 30" - Conseal CS-102 1.00"	0 lb
2) Hole - 40	0 lb
5) MH Step ML-10-TDS-NCR - 10"	0 lb
Structure Total:	10663 lb



Position	Elev	Angle	Pipe	Pipe OD	Hole	Connector	Up ()	Ref
Rim	870.95'							
Reducer								
Invert 1	864.35'	0°	30" HDPE	35.1"	40"	Hole 40	0"	P1
Invert 2	864.35'	180°	30" HDPE	35.1"	40"	Hole 40	0"	P1
Invert 3								
Invert 4								
Invert 5								
Invert 6								
Invert 7								
Invert 8								



Default - Interior Dimensions



Submittal Drawing
 4/24/2026 11:00:53 AM

SUBMITTAL
 APPROVED BY: